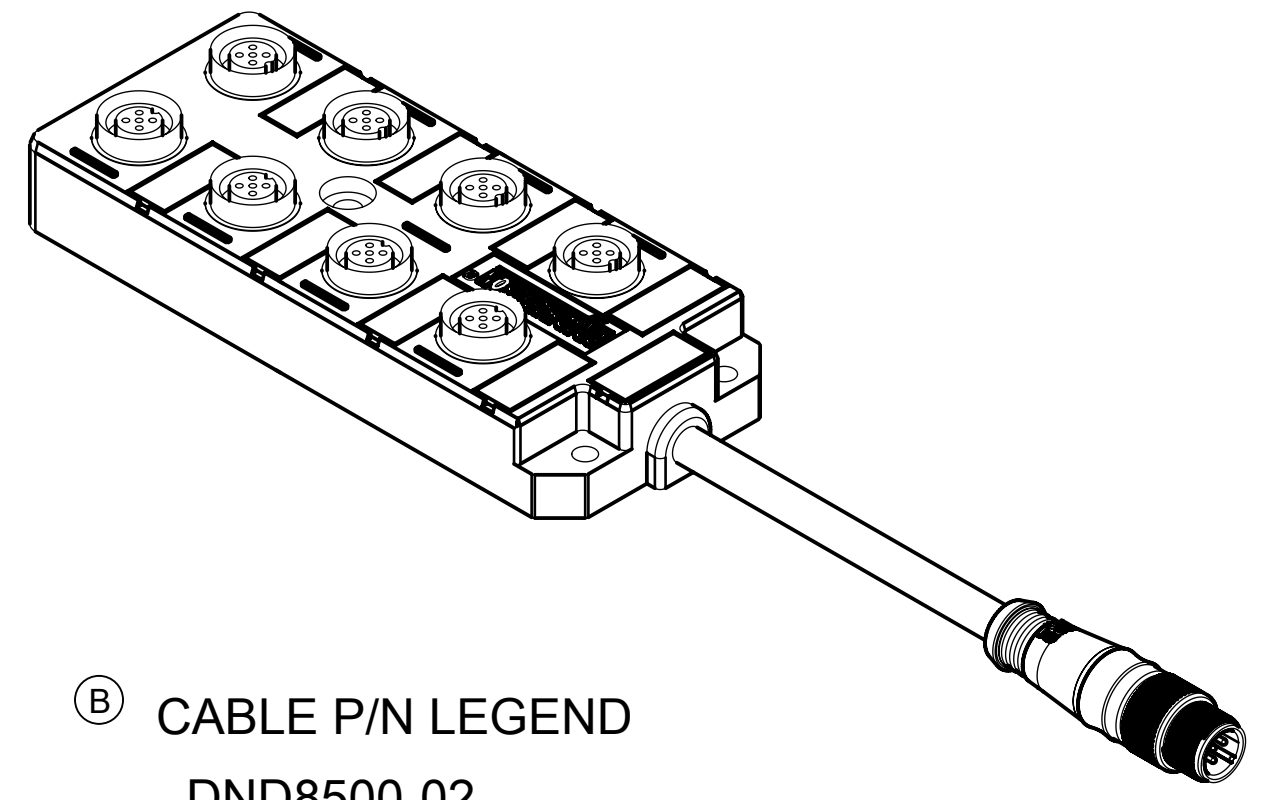
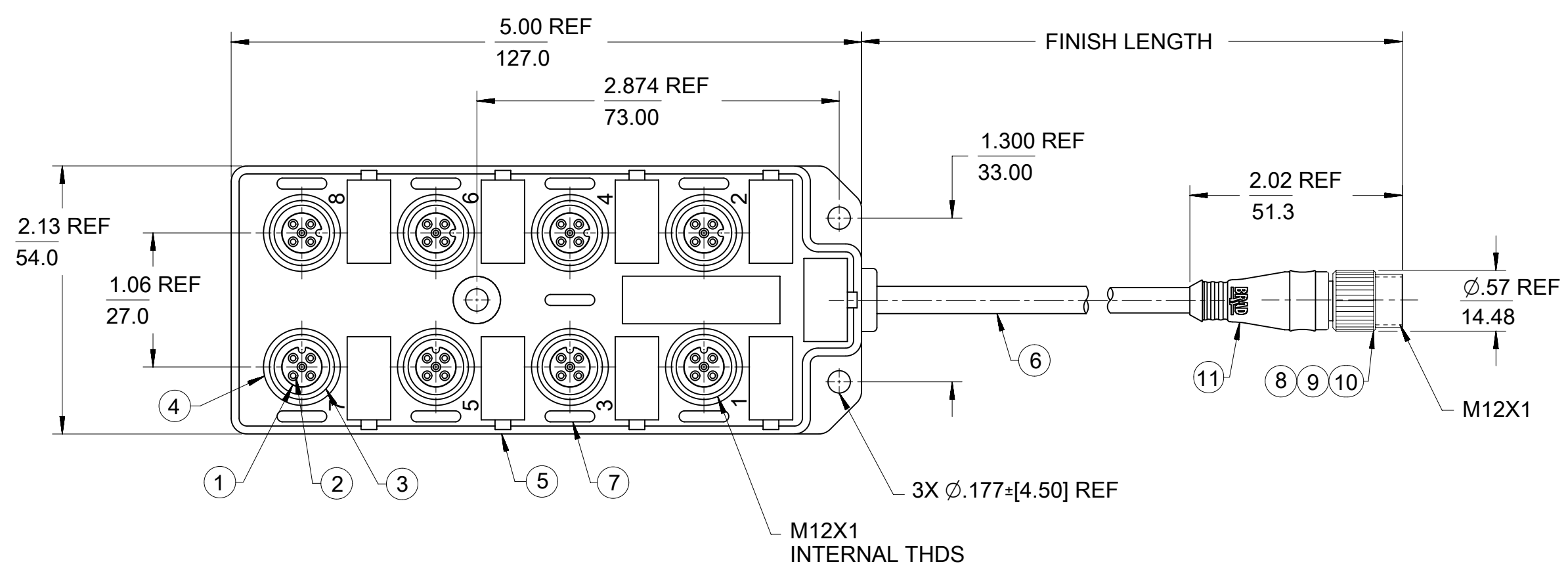


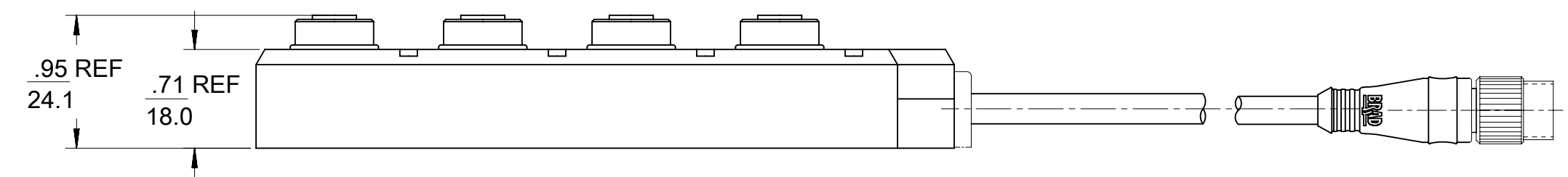
MATERIAL NUMBER	OLD PART NUMBER	FINISHED LENGTH
1300370016	DND8500-03	9'10" +.3.50" -0 [3M +88.9 -0]

CHART
B

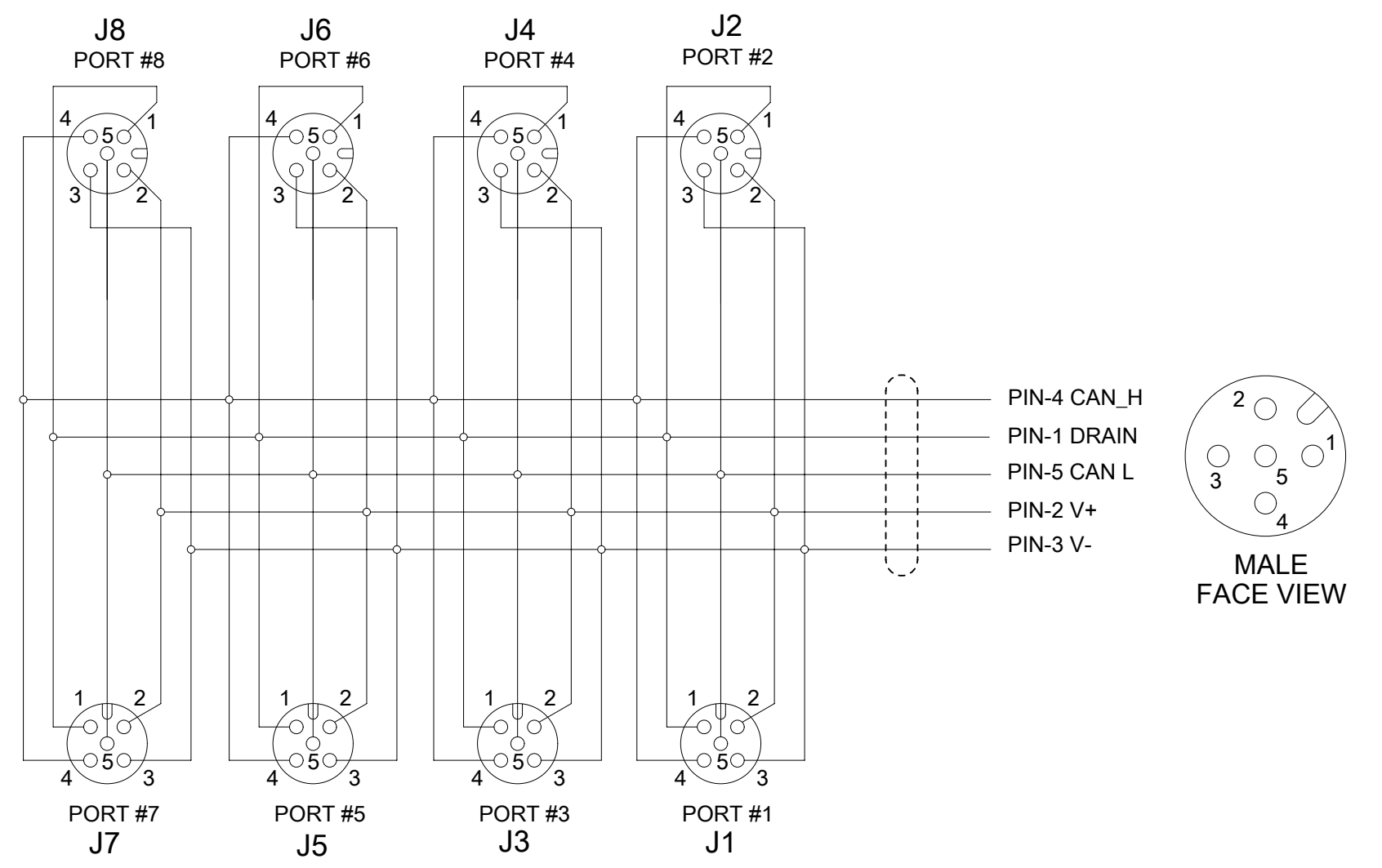


B CABLE P/N LEGEND

DND8500-02
 CABLE TYPE: DEVICE-NET DROP 22 AWG, PVC, GRAY
 FINISHED LENGTH: -02= 2M
 M002= .2 METERS



VOLTAGE RATING	10-30 VDC
AMPERAGE RATING PER PORT	4 AMPS
PROTECTION (WHEN MATED)	IP67
OPERATING TEMPERATURE	-20°C TO 90°C



ITEM	COMPONENT	MATERIAL	FINISH
1	INSERT	NYLON	BLACK
2	CONTACT SOCKET	COPPER ALLOY	GOLD OVER NICKEL
3	O-RING	NITRILE	RED
4	RECEPTACLE SHELL	BRASS	NICKEL PLATED
5	HOUSING	PBT	GRAY
6	CABLE- DEVICENET DROP, 300V, SHLD	PVC	GRAY
7	LENS	NYLON	GRAY
8	INSERT	NYLON	BLACK
9	CONTACT PIN	COPPER ALLOY	GOLD OVER NICKEL
10	COUPLING NUT	ZINC DIE CAST	BLACK E-COATED
11	OVERMOLD	PVC	GRAY

FUNCTIONAL SYMBOLS	THIS DRAWING CONTAINS INFORMATION THAT IS PROPRIETARY TO MOLEX ELECTRONIC TECHNOLOGIES, LLC AND SHOULD NOT BE USED WITHOUT WRITTEN PERMISSION		 TOP MOUNT 8 OUTLET TO MIC 5P DEVICENET PRODUCT CUSTOMER DRAWING				
	DIMENSION UNITS	SCALE			CURRENT REV DESC: RETRACTED DOCUMENT AS PER SALES FORCE CASE#451616		
	$F_A = 0$	INCH/MM 1:10			EC NO: 725951		
	$F_C = 0$	GENERAL TOLERANCES (UNLESS SPECIFIED)			DRWN: SUGEEB 2022/10/25		
DIVISIONAL SYMBOLS	4 PLACES ± ±		CHK'D: GGA 2022/10/31				
	3 PLACES ± ±		APPR: GGA 2022/10/31				
	2 PLACES ± ±		INITIAL REVISION:				
	1 PLACE ± ±		DRWN: BW 2009/07/27				
0 PLACES ± ±		ANGULAR TOL ± 0.5 °	APPR: JFMURPHY 2010/01/25				
DRAFT WHERE APPLICABLE MUST REMAIN WITHIN DIMENSIONS		THIRD ANGLE PROJECTION	DRAWING SERIES				
			C-SIZE 130037				
DOCUMENT STATUS	P1	RELEASE DATE	2022/10/31 10:11:39	DOCUMENT NUMBER	DOC TYPE	DOC PART	REVISION
				SD-130037-006	PSD	001	D
				MATERIAL NUMBER	CUSTOMER	SHEET NUMBER	
				SEE TABLE	GENERAL MARKET	1 OF 1	