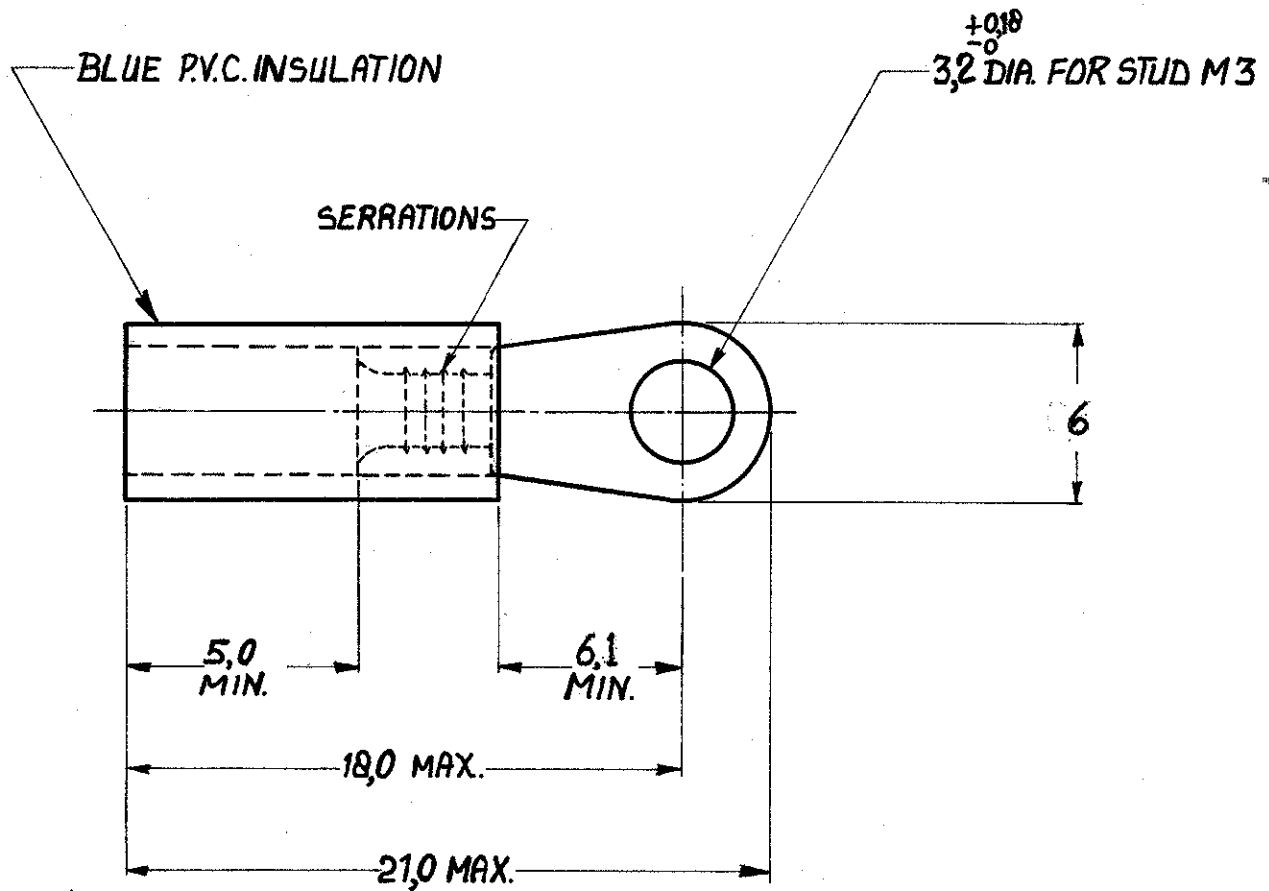


NUMBER C-165406-E



TONGUE MATERIAL THICKNESS: 0,8

REV C 20-8-85
DIMENSIONS IN M.M. DO NOT SCALE PRINT

CUSTOMER COPY FOR REFERENCE ONLY

©1970 BY AMP-HOLLAND N.V. ALL RIGHTS RESERVED A-MP PRODUCTS COVERED BY PATENTS AND/OR PATENTS PENDING.



AMP-HOLLAND N.V.
HERTOGENBOSCH
HOLLAND

2-165406-1	165406 TAPE MOUNTED	
165406	COPPER	TIN
ORDER NO.	MATERIAL	PLATING
DR R. Bissers 30/10-70	DATE	DE DATE
CHK	DATE	APP 16/11-1970 DATE

WIRE-RANGE	INSUL.-RANGE	TYPE	
1,5-2,5 mm ²	3,9 DIA. MAX.	DIN PLASTI-GRIP	
SCALE	LOC	SIZE	NO
4:1	H	A	C-165406-E
NAME			REV
INSULATED RINGTONGUE for stud M3			E