

VS-15-SD

Order No.: 1887099

<http://eshop.phoenixcontact.de/phoenix/treeViewClick.do?UID=1887099>

D-SUB protective cover, shell size 2, IP54 degree of protection, for panel mounting frame and sleeve housing VS-15-...

Commercial data

EAN	4017918817473
Pack	5 pcs.
Customs tariff	85389099
Weight/Piece	0.00796 KG
Catalog page information	Page 327 (PC-2009)

Product notes

WEEE/RoHS-compliant since:
01/01/2003

<http://www.download.phoenixcontact.com>
Please note that the data given here has been taken from the online catalog. For comprehensive information and data, please refer to the user documentation. The General Terms and Conditions of Use apply to Internet downloads.

Technical data

Mechanical characteristics

Insertion/withdrawal cycles	≥ 1000
Color	gray
Ambient temperature (operation)	-40 °C ... 80 °C

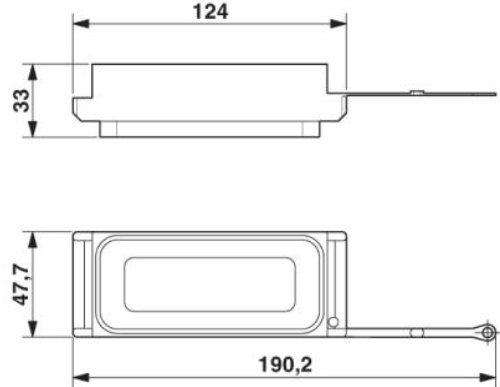
Material data

Inflammability class acc. to UL 94	V0
Housing material	PA
Degree of protection	IP54

Diagrams/Drawings

Dimensioned drawing

Protective cover for D-SUB



Address

PHOENIX CONTACT Inc., USA
586 Fulling Mill Road
Middletown, PA 17057, USA
Phone (800) 888-7388
Fax (717) 944-1625
<http://www.phoenixcon.com>



© 2010 Phoenix Contact
Technical modifications reserved;