



$I_{PN} = 200 \text{ A}$

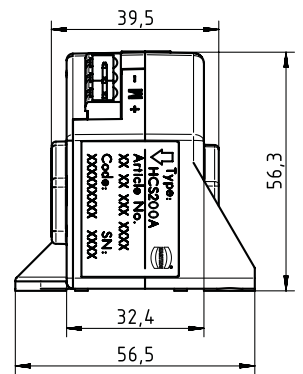
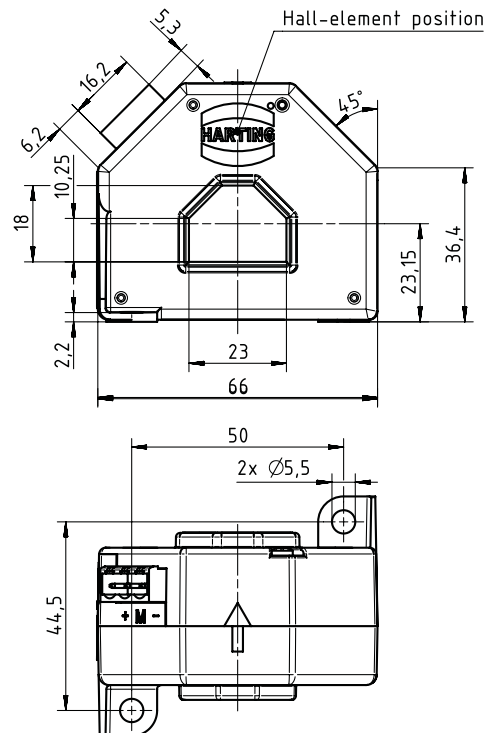
Identification Part number Drawing Dimensions in mm

HCM 200 A

Connection:
Metz Type 320
(PT11503VBBN)

mating connector included
(Metz SP04503VBNC)

20 31 020 0102



HCM 200 A Faston

Connection:
3 x Faston 6.3x0.8 mm

20 31 020 0101

