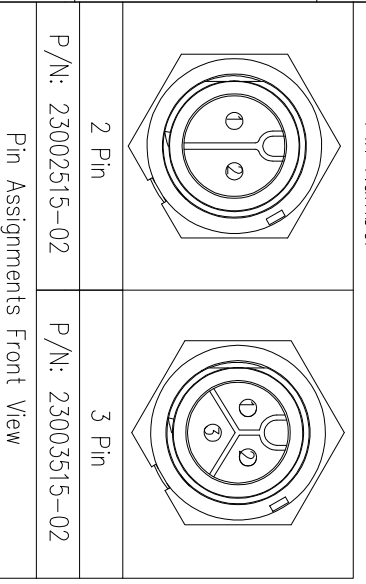
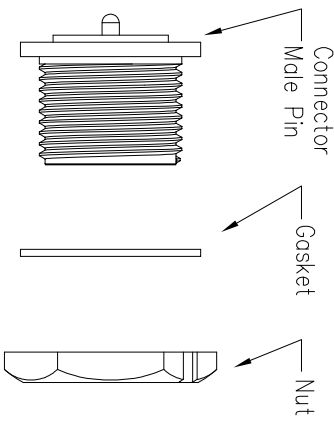
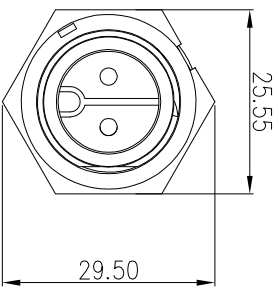
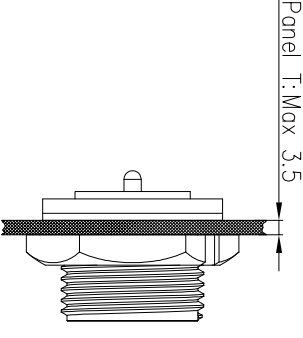
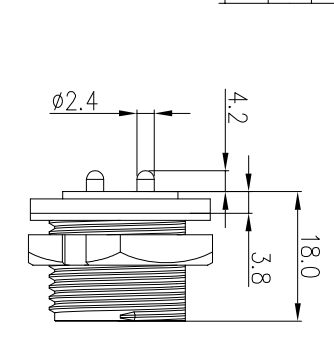
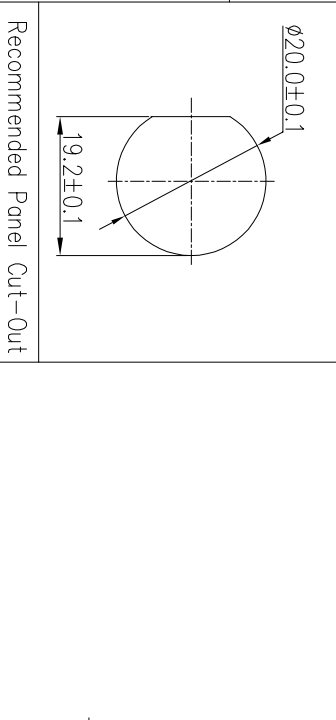
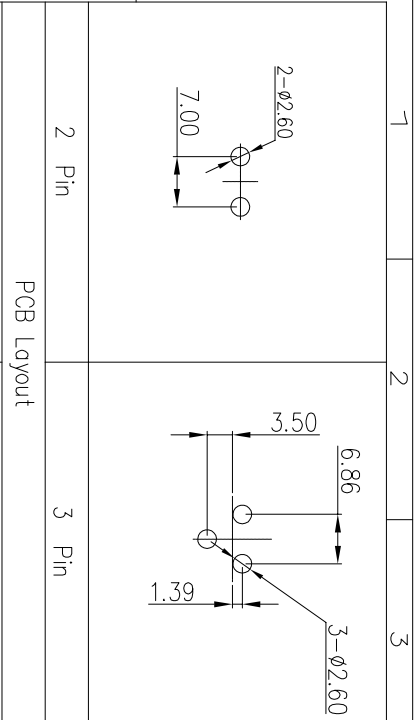


REV.	EON NO.	DESCRIPTION	SIGN	DATE
C1	N/A	INITIAL DRAWING	Liu	2019/08/13



23XXX515-02
Pin Number

P/N: 23002515-02
P/N: 23003515-02

UNIT: mm
TOLERANCE
X ±0.25
XX ±0.15
XXX ±0.05
ANGLES IT

DESCRIPTION
Middle Series Screw Front Mount With Male Pin(PCB)

SCALE: 1:1
SHEET 1 OF 1

REV. C1
SIZE A4
*: Inspection Item

PART NO 23XXX515-02

DWG NO
CUSTOMER

DRAIN BY Liu
CHECKED BY Mo
APPROVED BY Pomson

DATE 2019/08/13
DATE 2019/08/13
DATE 2019/08/13

Specification:
1.Operation Temperature: -45°C~105°C.
2.Insulation Resistance:100MΩ at DC500V.
3.Contact Resistance:<10mΩ.
4.Withstand Voltage: 2000V AC
5.Operating Current:20A
6.Operating Voltage: AC 300V
7.Waterproof Rate:IP67 (Mated)
8.Housing:Nylon, Black
9.Male Pin:Copper Alloy, Gold Plated
10.Gasket:Silicon Gray
11.Panel Nut:Nylon, Black
12.Torque Rate:0.8~1.0N•m
13.RoHS Compliant.
14.Mating Cap P/N:806-00021-00

1 2 3 4 5 6 7 8

Pin Assignments Front View

2 Pin

3 Pin

23XXX515-02

Pin Number

P/N: 23002515-02

P/N: 23003515-02

UNIT: mm

TOLERANCE
X ±0.25
XX ±0.15
XXX ±0.05
ANGLES IT

DESCRIPTION
Middle Series Screw Front Mount With Male Pin(PCB)

SCALE: 1:1
SHEET 1 OF 1

REV. C1
SIZE A4
*: Inspection Item

CHOGORI

PART NO 23XXX515-02

DWG NO
CUSTOMER

DRAIN BY Liu
CHECKED BY Mo
APPROVED BY Pomson

DATE 2019/08/13
DATE 2019/08/13
DATE 2019/08/13