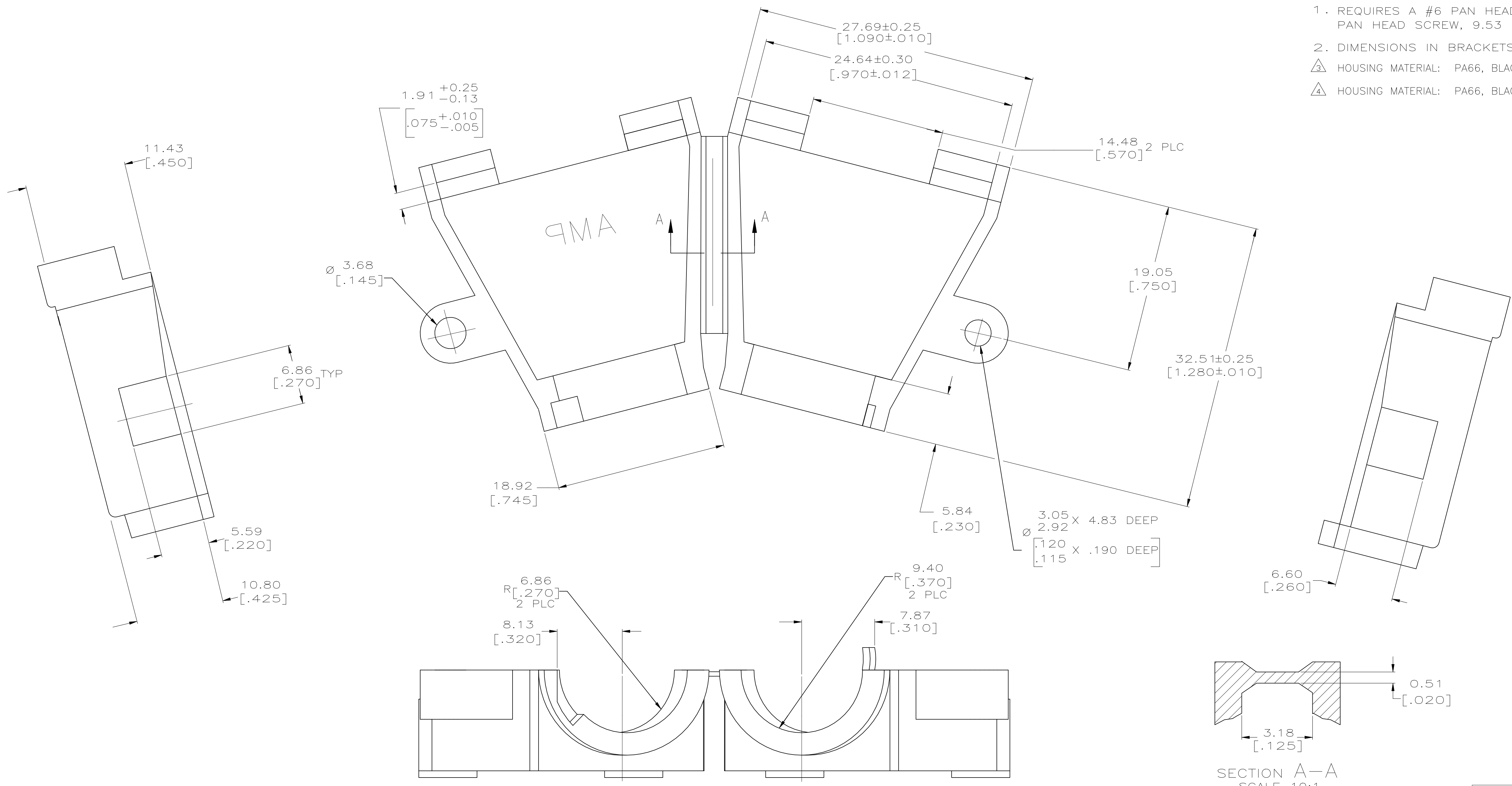
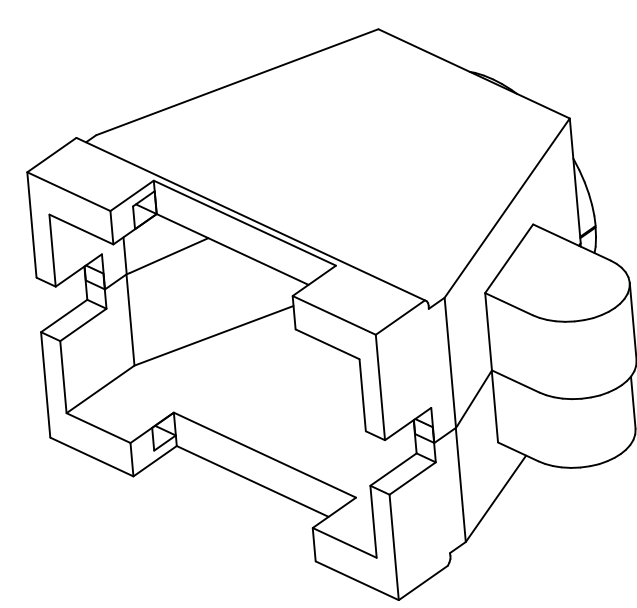


REVISIONS				
REV	DESCRIPTION	DATE	BY	APP'D
L	ECO-21-006919	14DEC2021	RK	MZ



- REQUIRES A #6 PAN HEAD TYPE "B" SELF TAPPING PAN HEAD SCREW, 9.53 [.375] LONG.
 - DIMENSIONS IN BRACKETS ARE IN INCHES.
- △ HOUSING MATERIAL: PA66, BLACK, UL 94 V-0 RATED
- △ HOUSING MATERIAL: PA66, BLACK, UL 94 V-2 RATED



3-DIMENSIONAL MODEL NTS

SECTION A-A
SCALE 10:1

△ 4	1-480634-9
△ 3	480634-1
MATERIAL	PART NO

THIS DRAWING IS A CONTROLLED DOCUMENT.		DIN K. SALMON 2-10-95	REVISIONS	
DIMENSIONS: mm [INCHES]		CHK R. SWING 2-10-95	P LTR L ECO-21-006919	
TOLERANCES UNLESS OTHERWISE SPECIFIED:		APP'D W. LONG 2-10-95	DATE 14DEC2021	
0 PLC ± -	1 PLC ± -	NAME	BY RK	
2 PLC ± 0.13[.005]	3 PLC ± -	PRODUCT SPEC	APP'D MZ	
4 PLC ± -	ANGLES ± -	APPLICATION SPEC	DATE 14DEC2021	
MATERIAL SEE TABLE	FINISH -	WEIGHT -	BY RK	
CUSTOMER DRAWING		SCALE 4:1	SHEET 1 OF 1	