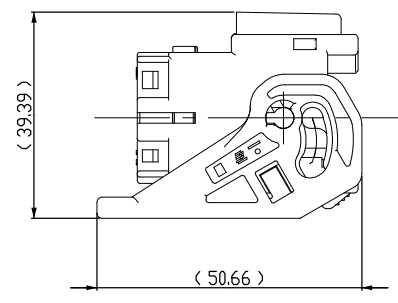
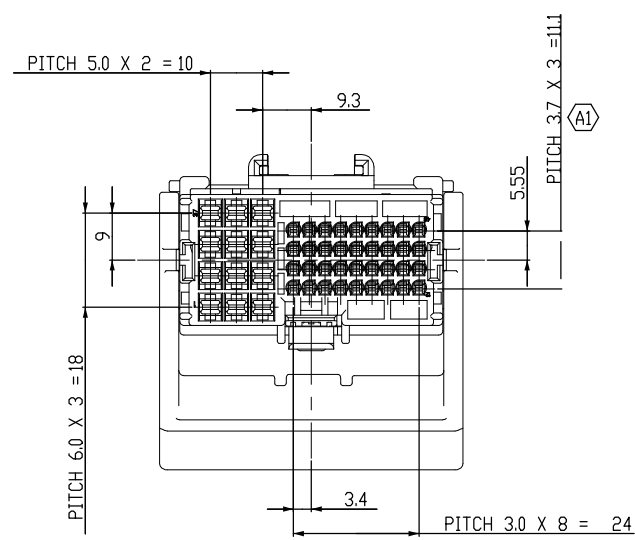
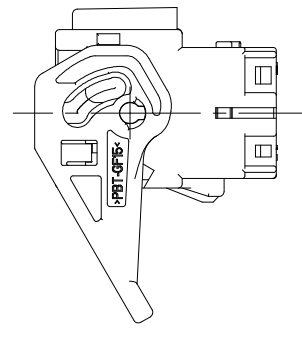
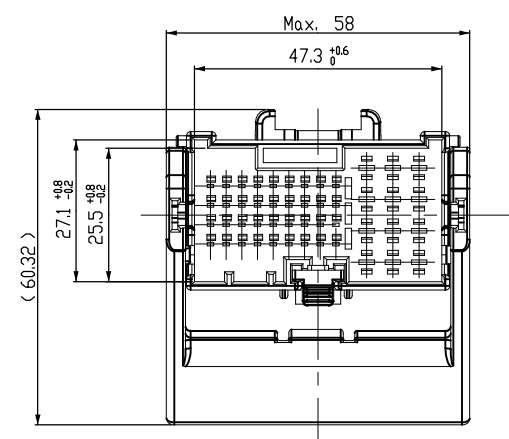
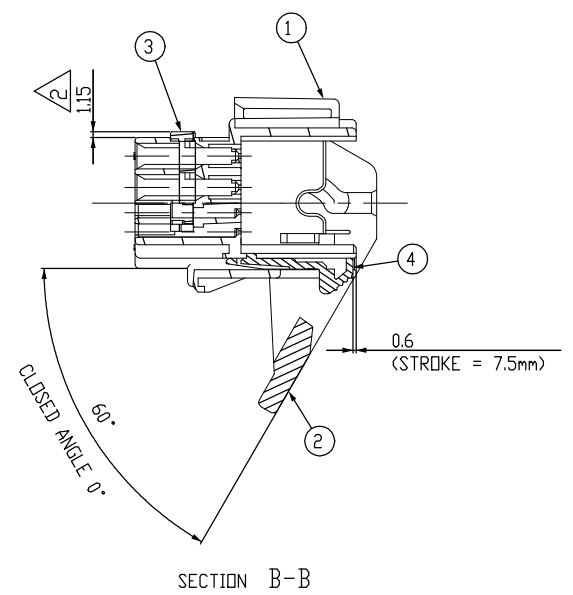
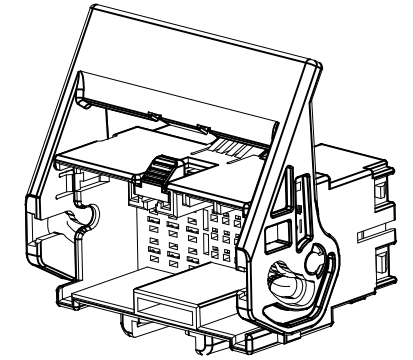
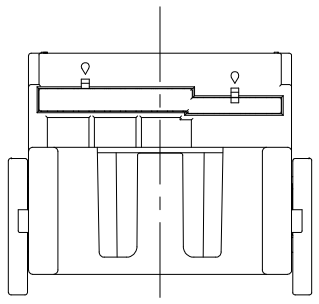


LOC	DIST	REVISIONS					
		P	LTR	DESCRIPTION	DATE	DWN	APVD
DS	-	A		RELEASED	22.NOV'12	DG	HG
		A1		REVISED(KECR-19-009289)	14.JUN'19	SK	YJ



< Closed Status >



- NOTES ;
 1. GENERAL TOLERANCE : ±0.3mm, ±3°
 2. RETAINER IS PRE-LOCKING
 3. MATING PLUG ASS'Y : X-2109452-X
 4. APPLICABLE TERMINAL : SEE TABLE 1
 5. ALLOWABLE MAX. SINK ; 0.5mm & WARPAGE 0.6mm

DESCRIP TION	050/10 HYB 8P CAP CODE A	1050/10 HYB 8P CAP CODE B	1050/10 HYB 8P CAP CODE C	1050/10 HYB 8P CAP CODE D
ASS'Y P/N	5-2109455-2	2102-3	2102-5-4	3-2109455-5-7

5-2109455-2 (KEY CODE A) MATING PLUG ASS'Y : 0-2109452-2	1-2109455-3 (KEY CODE B) MATING PLUG ASS'Y : 1-2109452-3
2-2109455-4 (KEY CODE C) MATING PLUG ASS'Y : 2-2109452-4	3-2109455-7 (KEY CODE D) MATING PLUG ASS'Y : 3-2109452-7

< TABLE 1 >

CONTACT	1.2mm MCON TERMINAL			APPLICATION SPEC.
P/N	1418758-1	1418760-1	1418762-1	114-18464
WIRE SIZE (mm ²)	0.35	0.5~0.75	1.0	
CONTACT	2.8mm TERMINAL			APPLICATION SPEC.
P/N	2-964292-1	2-964294-1	2-964296-1	114-18051
WIRE SIZE (mm ²)	0.35~0.5	0.5 ~ 1.0	1.25 ~ 2.5	

THIS DRAWING IS A CONTROLLED DOCUMENT.

DWN: DG JEONG
 CHK: KT LIM
 APVD: HG CHO
 PRODUCT SPEC: -
 APPLICATION SPEC: -
 WEIGHT: -
 MATERIAL: SEE TABLE

TOLERANCES UNLESS OTHERWISE SPECIFIED:
 0 PLC ±
 1 PLC ±
 2 PLC ±
 3 PLC ±
 4 PLC ±
 ANGLES ±3°
 FINISH

TE Connectivity
 .050/.110 HYB 48P CAP ASS'Y

NO.	COLOR/FINISH	MATERIAL	DESCRIPTION	QTY
4	RED	PBT-GF20	CPA HSG	1
3	NATURAL	PBT	DBL HSG	1
2	GRAY	PBT-GF15	LEVER HSG	1
1	GREEN	PBT-GF15	.050/.110 HYB 48P CAP HSG Key code D	-
	BROWN	PBT-GF15	.050/.110 HYB 48P CAP HSG Key code C	-
	GRAY	PBT-GF15	.050/.110 HYB 48P CAP HSG Key code B	1
	BLACK	PBT-GF15	.050/.110 HYB 48P CAP HSG Key code A	1

SIZE: A2 CAGE CODE: 00779 DRAWING NO: C=2109455 RESTRICTED TO: -
 CUSTOMER DRAWING SCALE: 1:1 SHEET 1 OF 1 REV: A1