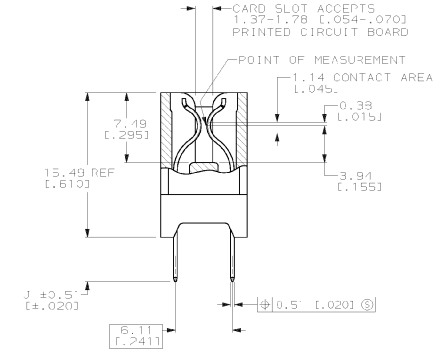
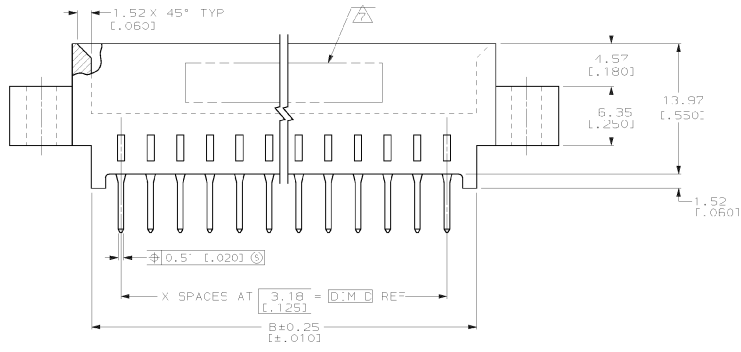
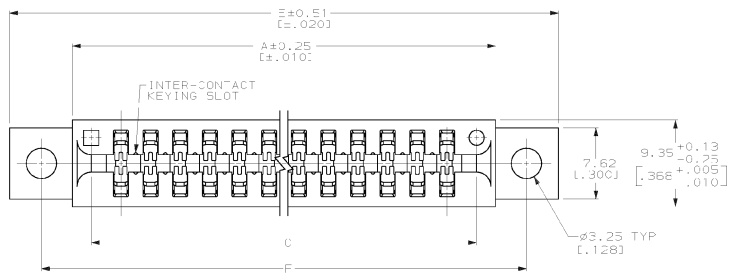


REV. NO.		DATE		ZONE		L1		REVISIONS		DATE	APP'D
AD	14							P	REV FER 063C-0054-03	12DEC03	MM



- △ HOUSING: 31 ASS FILLED POLYESTER; COLOR: BLACK.
- △ CONTACT: PHOSPHOR BRONZE.
- △ NICKEL UNDERPLATE: 0.00127 [0.00050] MIN - ALL OVER.
- △ TIN-LEAD PLATE: 0.00254 [0.00100] MIN - SOLDER POSTS.
- △ GOLD PLATE: 0.00076 [0.00030] MIN - CONTACT AREA.
- △ NICKEL PLATE PER MIL C 45204.
- △ GOLD PLATE PER C0-N-290.
- △ AMP PART NUMBER AND DATE CODE ARE MARKED IN APPROXIMATE AREA SHOWN, EITHER SIDE.
- 8. RECOMMENDED PCB FINISHED HOLE DIA: 1.02±0.08 [1.04±.003].



DO NOT SCALE PRINT. UNLESS SPECIFIED DIMENSIONS IN mm (INCHES): TOLERANCES ON: 2 PLG DEC ± 0.11 (1.005) 3 PLG DEC ± - ANGLES ± -	DR 11/2/01 D. SHREVE/UTA CHC 8-10-02 J.D107A210 APP'D 6-10-02 J.D108A210	 Tyco Electronics Harrisburg, PA 17105-3608 NAME CONNECTOR ASSEMBLY, STANDARD EDGE II, 3.18 [1.125] CL
MATERIAL HOUSING: △ CONTACT: △	APP'D E 10 02 P. THURMA PRODUCT SPEC 108-0039	SIZE D 00779 SCALE 4:1
FINISH CONTACT: △△△	APPLICATION SPEC - WEIGHT -	DRAWING NO 531341 SHEET 1 OF 2

CUSTOMER DRAWING

