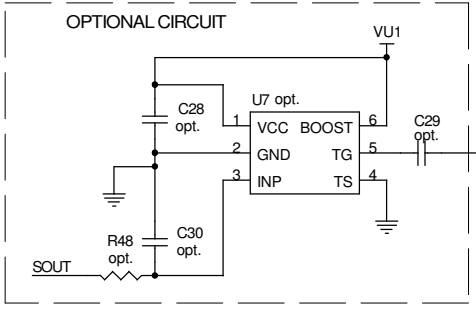
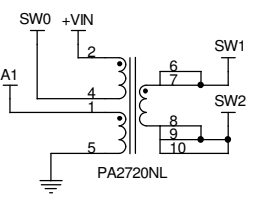


OPTIONAL FOOTPRINT FOR T1



**** FOR ASSEMBLY**

VERSIONS	+VIN	+VOUT
- A	34V - 75V	3.3V @ 30A
- B	18V - 72V	5V @ 25A
- C	18V - 72V	12V @ 8A
- D	18V - 72V	24V @ 4A
- E	36V - 72V	5V @ 12A
- F	9V - 36V	3.3V @ 20A (5V @ 15A) *
- G	9V - 36V	12V @ 5A (18V @ 4A) *
- H	9V - 36V *	48V @ 1.5A

NOTES: UNLESS OTHERWISE SPECIFIED

- 1. ALL RESISTORS ARE 0603.
- ALL CAPACITORS ARE 0603.
- * SEE QUICK START GUIDE.

CUSTOMER NOTICE		CONTRACT NO.		APPROVALS		DATE					
<p>LINEAR TECHNOLOGY HAS MADE A BEST EFFORT TO DESIGN A CIRCUIT THAT MEETS CUSTOMER-SUPPLIED SPECIFICATIONS; HOWEVER, IT REMAINS THE CUSTOMER'S RESPONSIBILITY TO VERIFY PROPER AND RELIABLE OPERATION IN THE ACTUAL APPLICATION. COMPONENT SUBSTITUTION AND PRINTED CIRCUIT BOARD LAYOUT MAY SIGNIFICANTLY AFFECT CIRCUIT PERFORMANCE OR RELIABILITY. CONTACT LINEAR TECHNOLOGY APPLICATIONS ENGINEERING FOR ASSISTANCE.</p> <p>THIS CIRCUIT IS PROPRIETARY TO LINEAR TECHNOLOGY AND SUPPLIED FOR USE WITH LINEAR TECHNOLOGY PARTS.</p>				DATE	10/8/07	<p>LINEAR TECHNOLOGY</p> <p>1630 McCarthy Blvd. Milpitas, CA 95035 Phone: (408)432-1900 Fax: (408)434-0507</p>					
				APPROVED							
				ENGINEER	G. Perica			10/8/07			
				DRAWN	J. Wu			10/8/07			
				<p>TITLE</p> <p>LT1952EGN-1, LT4430ES6</p> <p>ISOLATED FORWARD DC/DC CONVERTER</p>		SIZE	CAGE CODE	DWG NO	DC1317A-C	REV	A
				<p>Wednesday, February 25, 2009</p>		SCALE:	FILENAME:	SHEET	1	OF	1