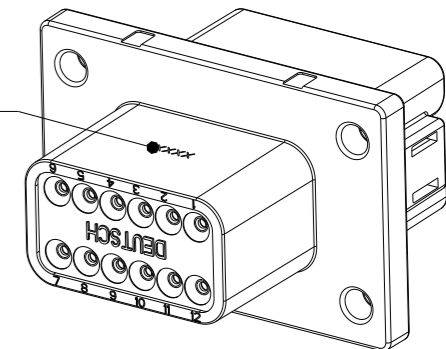
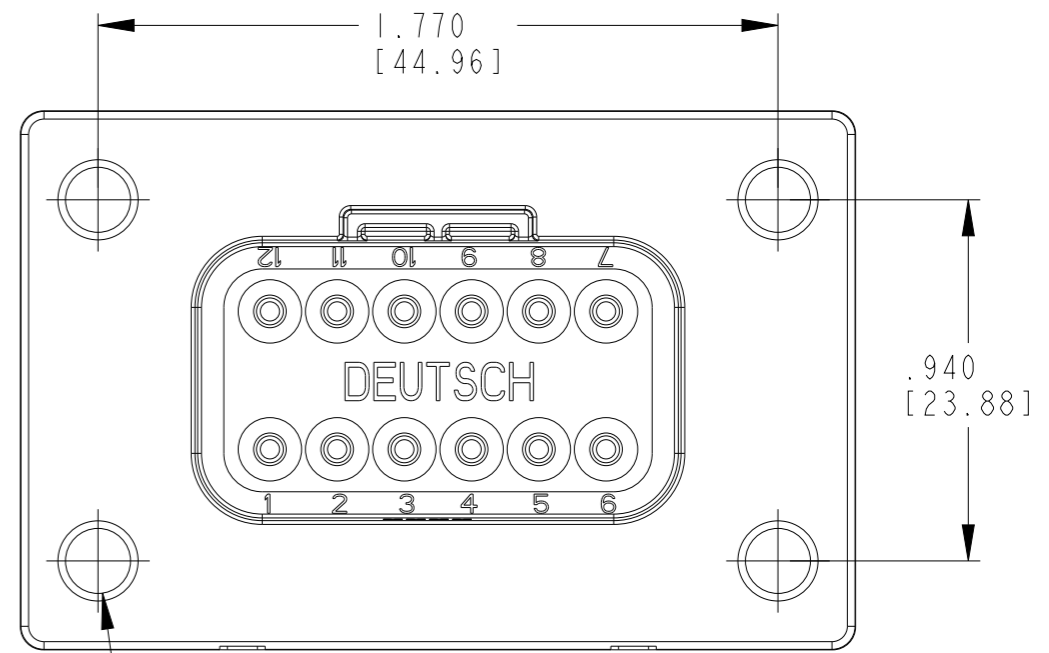
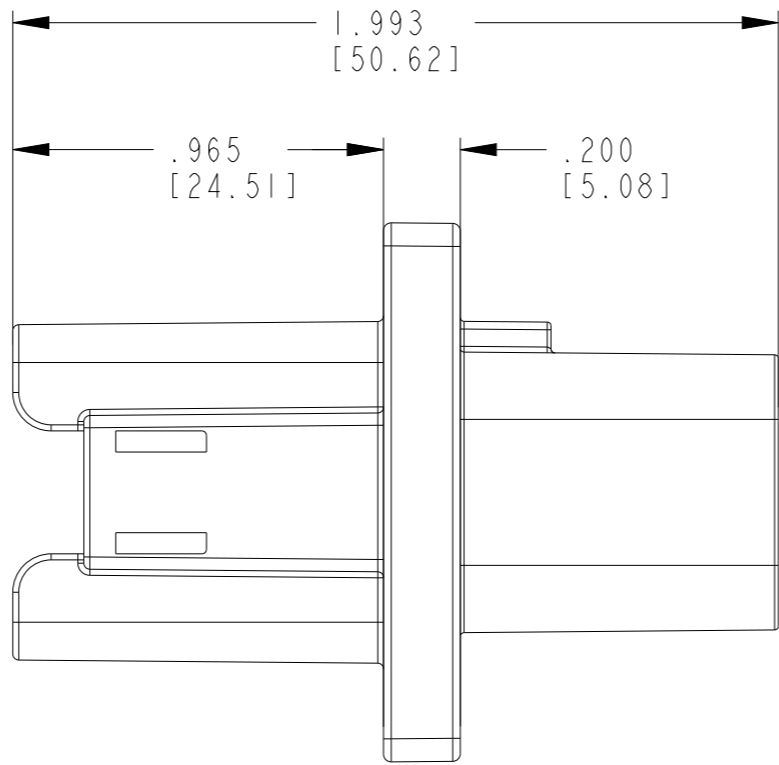
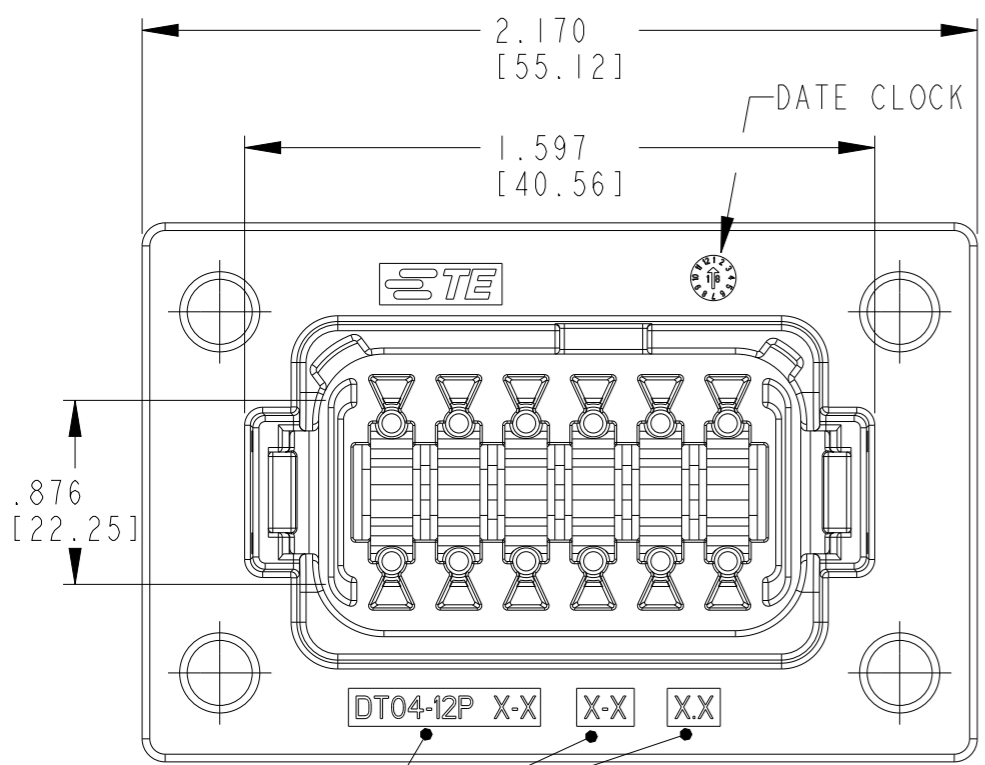


P	LTR	DESCRIPTION	DATE	DWN	APVD
-		RELEASE PER E.O. P20101	15APR2009	-	RDR
A		REVISED PER E.O. P20438	18MAY2010	-	RDR
C		REVISED PER E-20-009825	29JUN2020	PMV	IG
CI		REVISED PER PCN-22-157426	03NOV2022	MR	IG



TRACEABILITY CODING

RECEPTACLE HOUSING

PART NUM. MODIFICATION

3-DIMENSIONAL VIEW

- 7. SECONDARY WEDGE LOCK SOLD SEPARATELY: W12P-XXXX. (XXXX = ALL MODIFICATIONS)
- 6. RECOMMENDED SCREW: 6-32 [M4]. RECOMMENDED TORQUE: 20-25 IN-LB [2.26-2.82 Nm].
- 5. MATERIAL - HOUSING: PA66 GF15 GROMMET: VMQ (ORANGE RED)
- 4. THIS RECEPTACLE MATES WITH DT06-12SX-XXXX PLUG. (X = KEY ARR. A,B,C,D; XXXX = ALL MODIFICATIONS) CONSULT FACTORY FOR MODIFICATIONS.
- 3. FOR CONTACT AND WIRE PERFORMANCE AND APPLICATION CHARACTERISTICS, SEE ENVELOPE DRAWING 0425-015-0000.

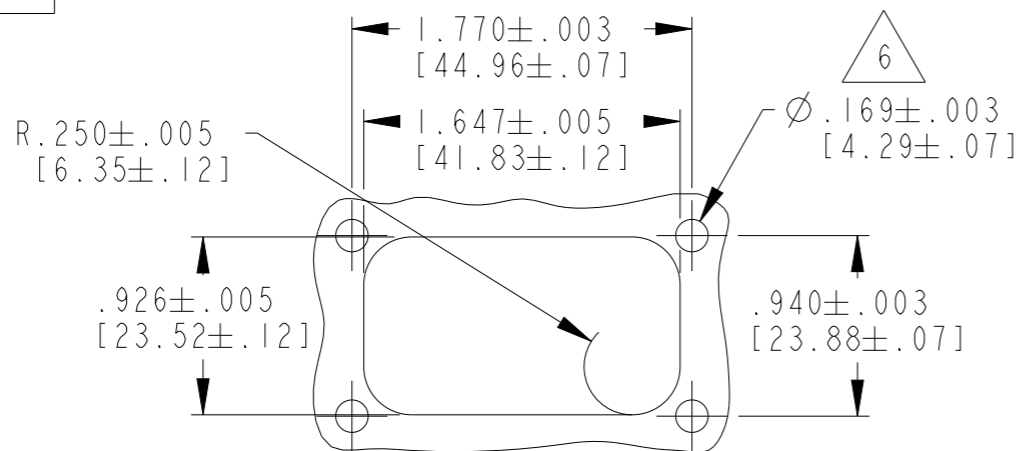
CONTACT SIZE	MIN. INSUL. O.D.	MAX. INSUL. O.D.	WIRE RANGE [mm ²]
16	.088 [2.24]	.145 [3.68]	14-20 AWG [2.0-0.5]

THIS DRAWING IS A CONTROLLED DOCUMENT.		DWN 01 JUN 2009 R. MESSENGER	TE Connectivity	
DIMENSIONS: INCHES [mm]		CHK 14 MAY 2010 R. MCCORD		
TOLERANCES UNLESS OTHERWISE SPECIFIED:		APVD 04 MAY 2010 S. BEARD	NAME 12 WAY RECEPTACLE WITH ENHANCED KEY AND FLANGE DT SERIES	
0 PLC ±- 1 PLC ±- 2 PLC ±- 3 PLC ±.025 [0.64] 4 PLC ±- ANGLES ±0° 30' 0"		PRODUCT SPEC 108-151009	SIZE A3	
MATERIAL		APPLICATION SPEC 114-151009	CAGE CODE 00779	DRAWING NO DT04-12PX-BL04
FINISH		WEIGHT -	RESTRICTED TO -	
5		CUSTOMER DRAWING	SCALE 2:1	SHEET 1 OF 2 REV CI

NOTES:

- 2. DELETED
- 1. DELETED

P	LTR	DESCRIPTION	DATE	DWN	APVD
-	-	SEE SHEET 1	-	-	-



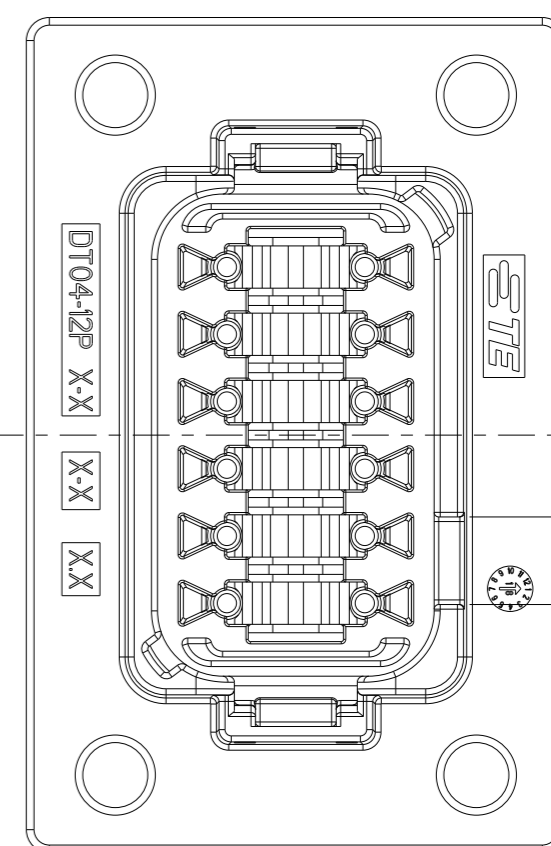
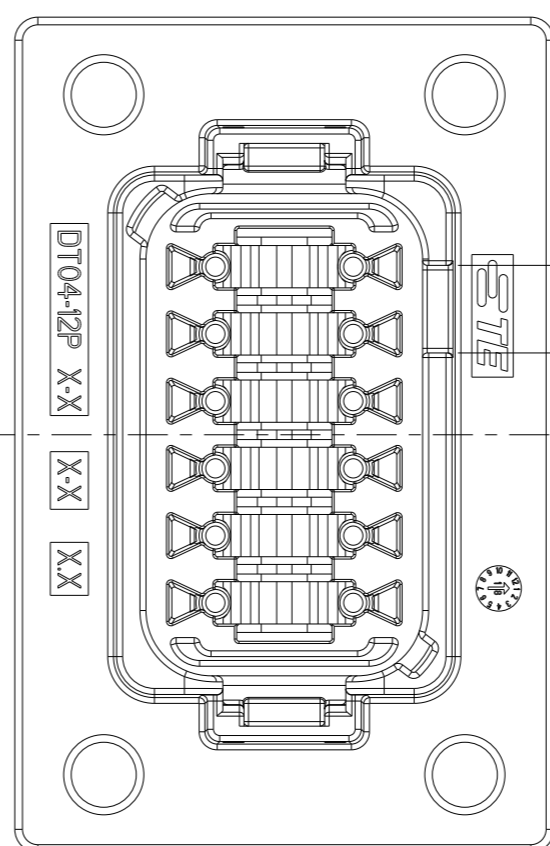
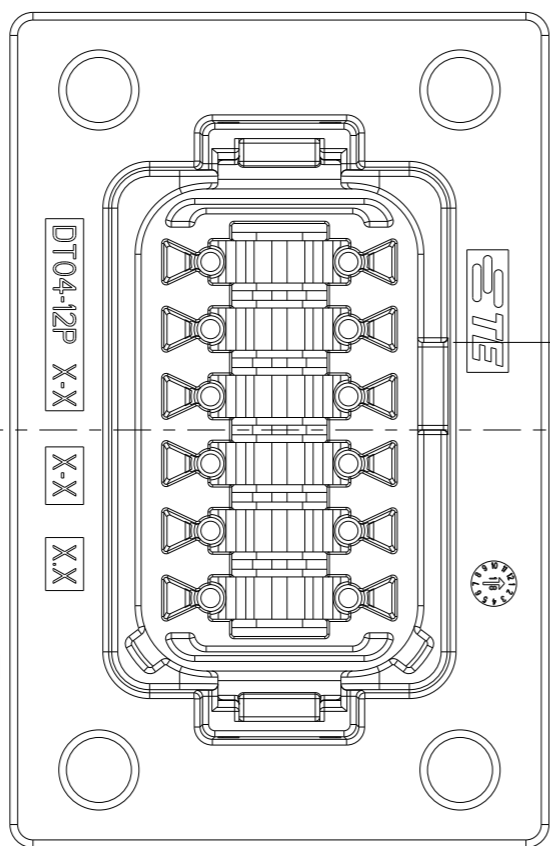
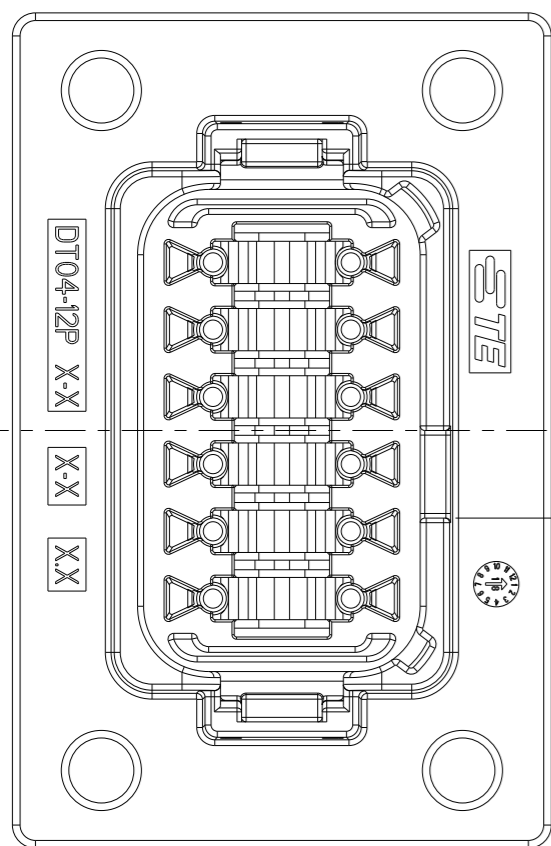
RECOMMENDED PANEL CUTOUT

DT04-12PA-BL04
KEY -A-
COLOR: GRAY

DT04-12PB-BL04
KEY -B-
COLOR: BLACK

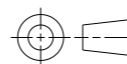
DT04-12PC-BL04
KEY -C-
COLOR: GREEN

DT04-12PD-BL04
KEY -D-
COLOR: BROWN



THIS DRAWING IS A CONTROLLED DOCUMENT.

DIMENSIONS:
INCHES [mm]



TOLERANCES UNLESS OTHERWISE SPECIFIED:

- 0 PLC ±-
- 1 PLC ±-
- 2 PLC ±-
- 3 PLC ±.025 [0.64]
- 4 PLC ±-
- ANGLES ±0° 30' 0"
- FINISH -

MATERIAL

DWN	R. MESSENGER	01 JUN 2009
CHK	R. MCCORD	14 MAY 2010
APVD	S. BEARD	04 MAY 2010
PRODUCT SPEC	108-151009	
APPLICATION SPEC	114-151009	
WEIGHT	-	
CUSTOMER DRAWING		



NAME
12 WAY RECEPTACLE WITH ENHANCED KEY AND FLANGE DT SERIES

SIZE	CAGE CODE	DRAWING NO	RESTRICTED TO
A3	00779	DT04-12PX-BL04	-
SCALE	SHEET	OF	REV
1:1	2	2	C1