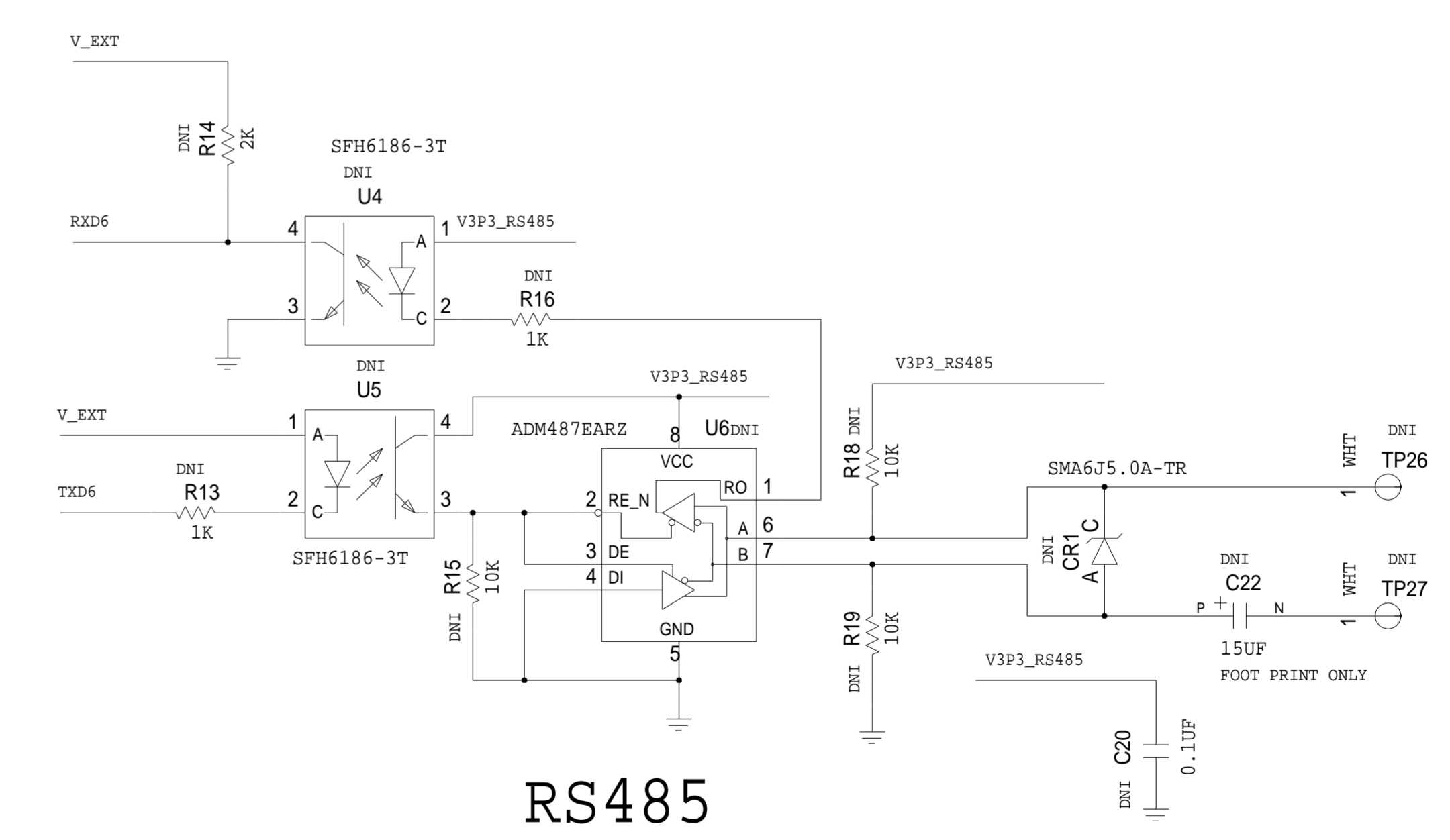
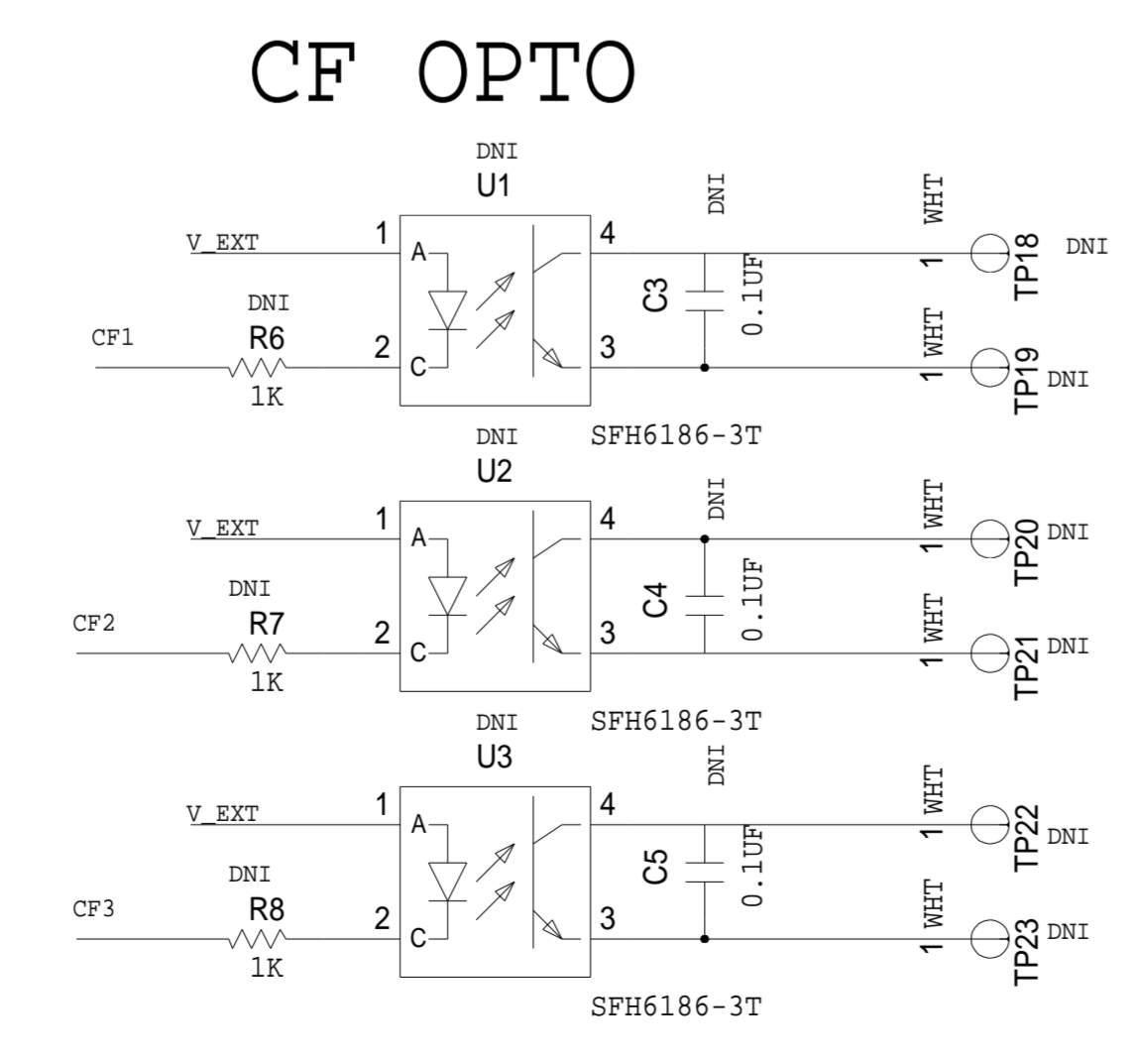
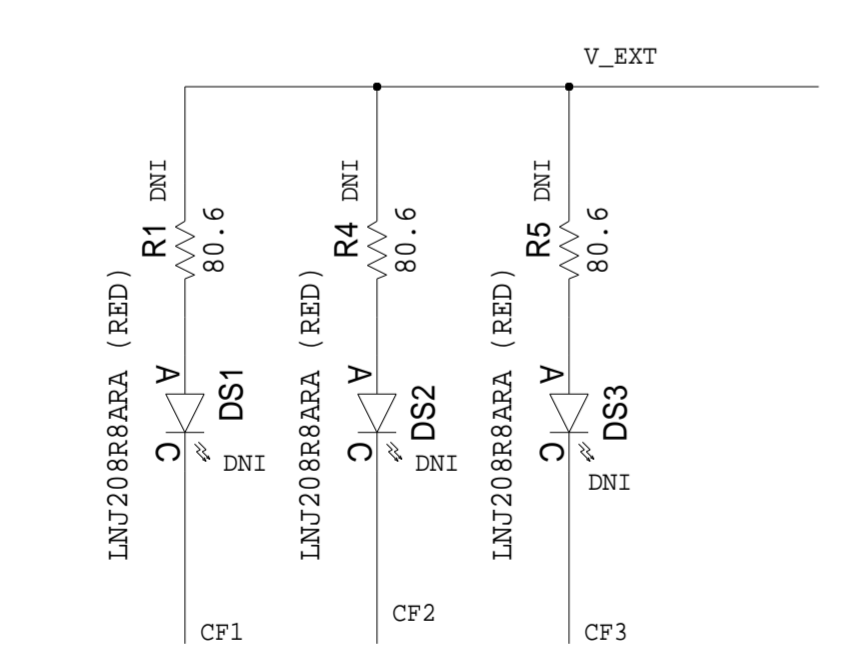
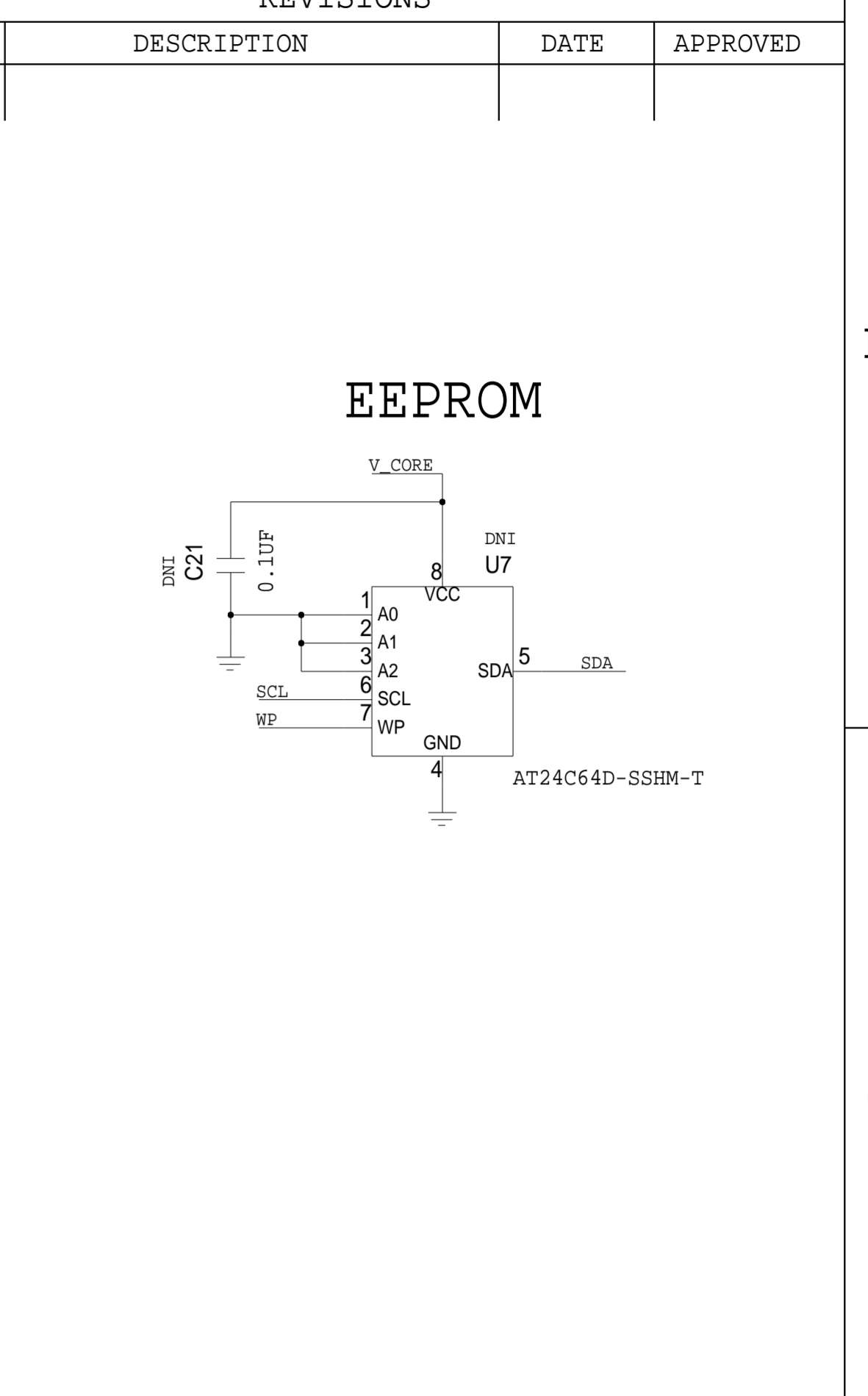
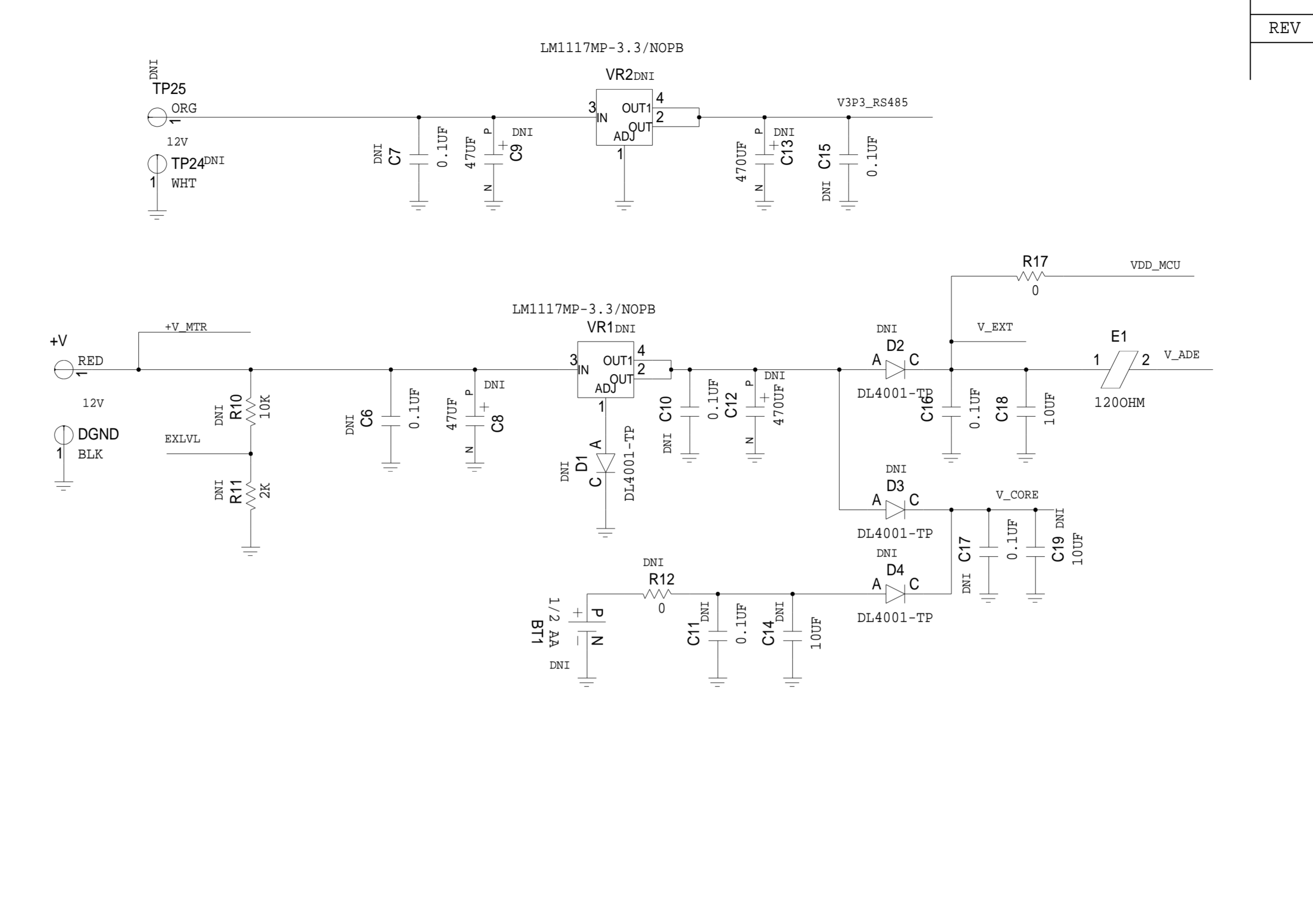
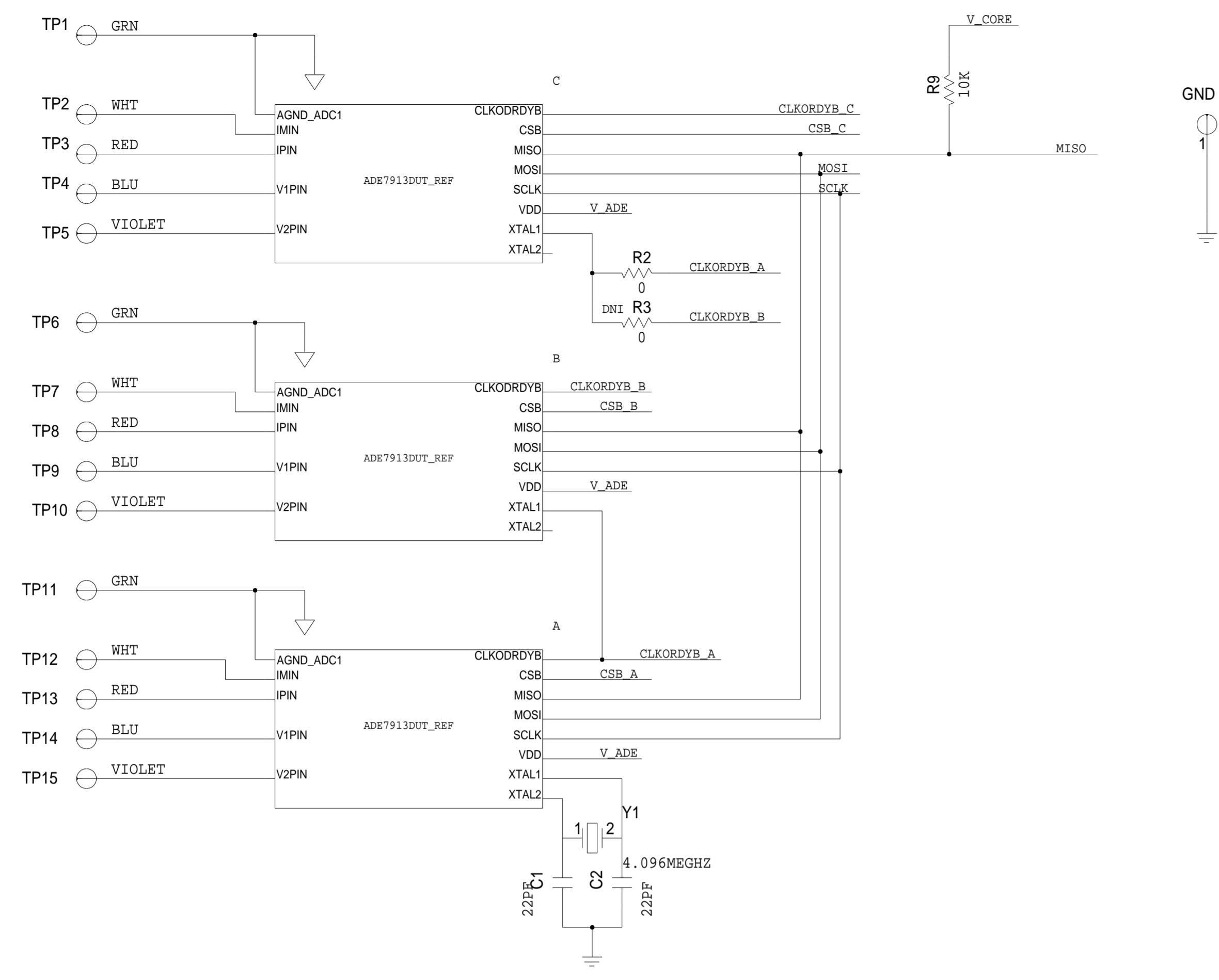


REVISIONS			
REV	DESCRIPTION	DATE	APPROVED

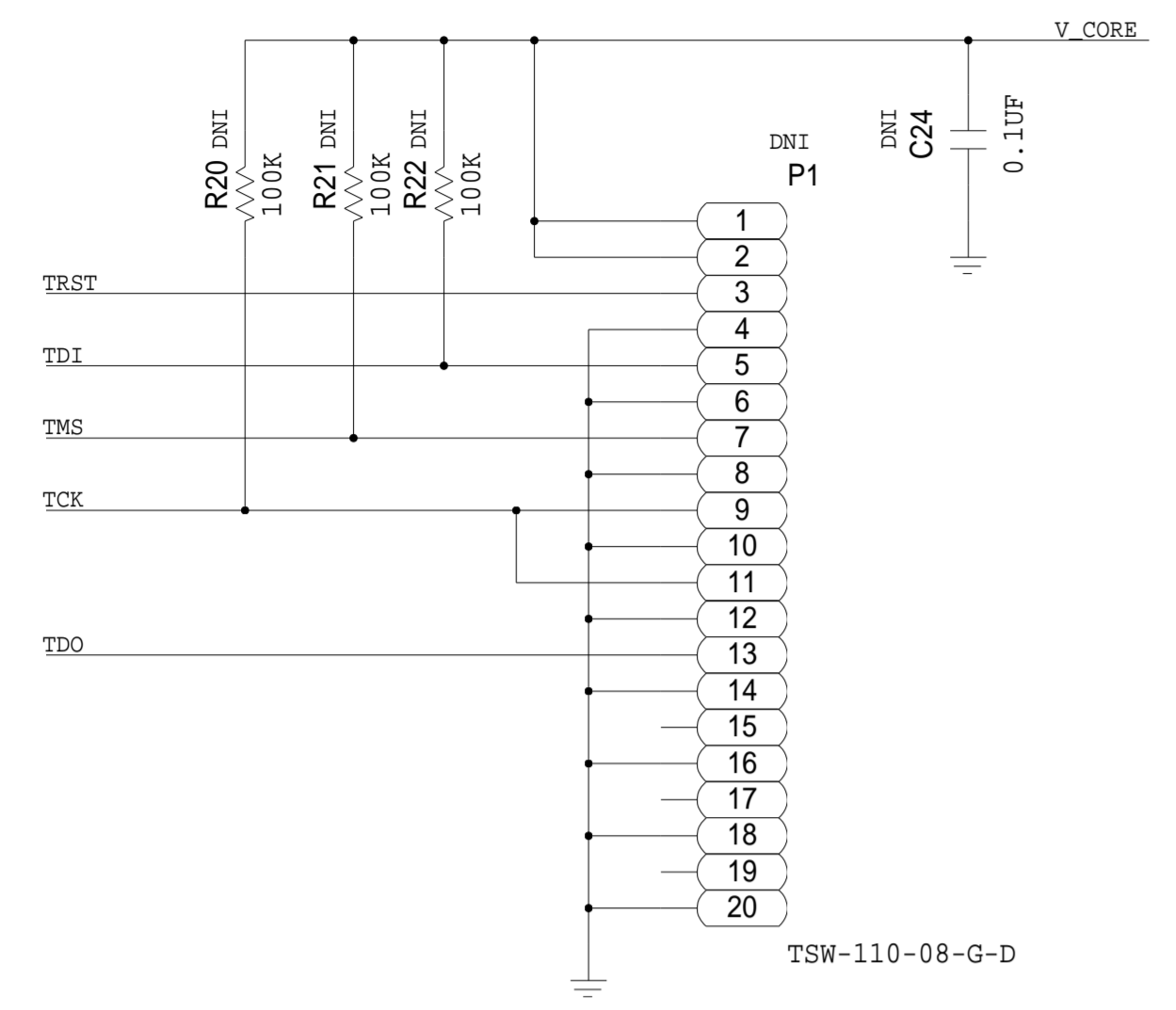


RS485

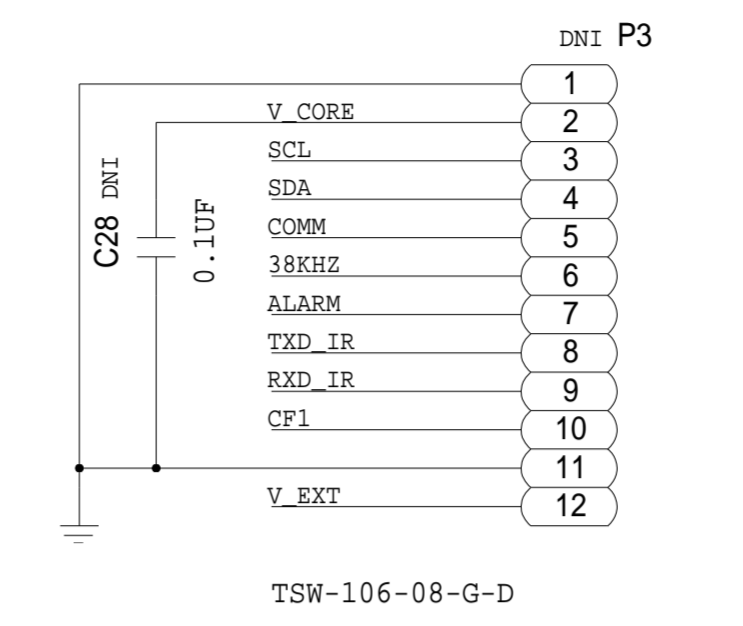
	SCHEMATIC		
	HW TYPE: Customer Evaluation Board AD37913		
	DESIGN VIEW <DESIGN_VIEW>	DRAWING NO. 02-033799	REV D
	PTD ENGINEER D SMITH	SCALE 1:1	SHEET 2 OF 8

REVISIONS			
REV	DESCRIPTION	DATE	APPROVED

JTAG PORT

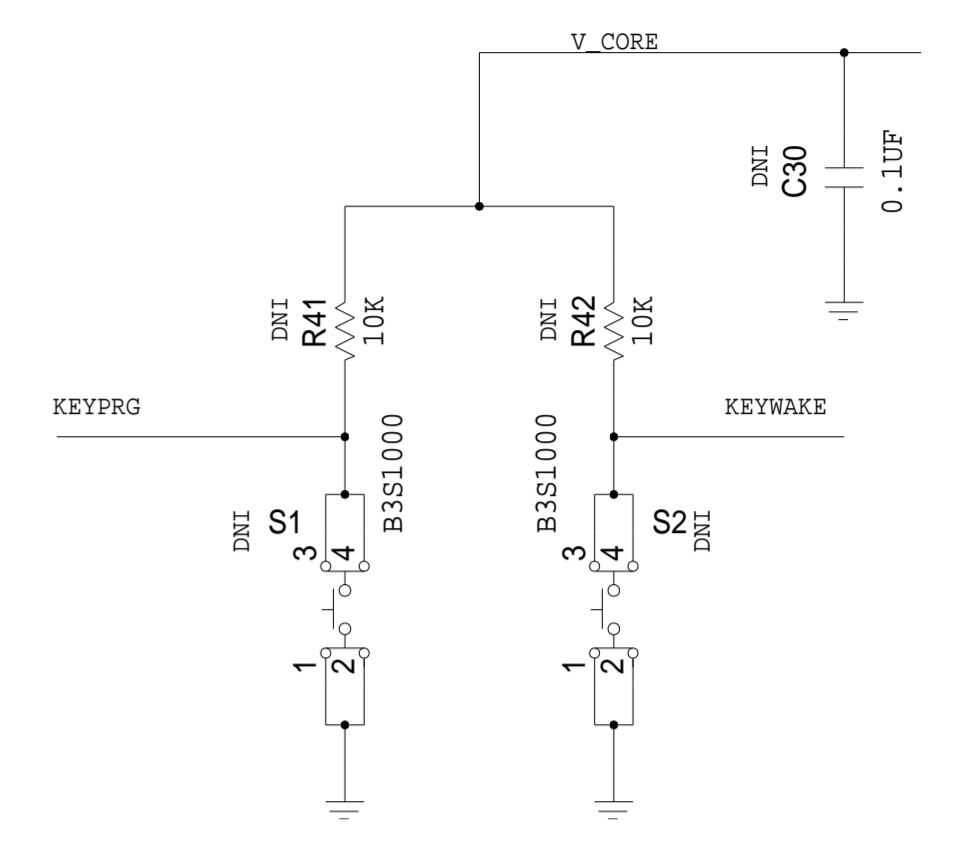
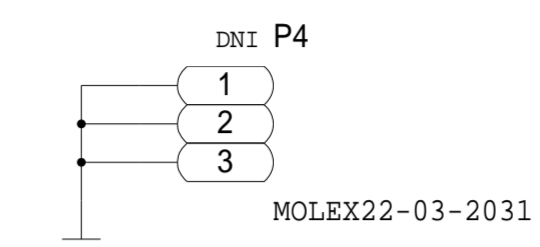
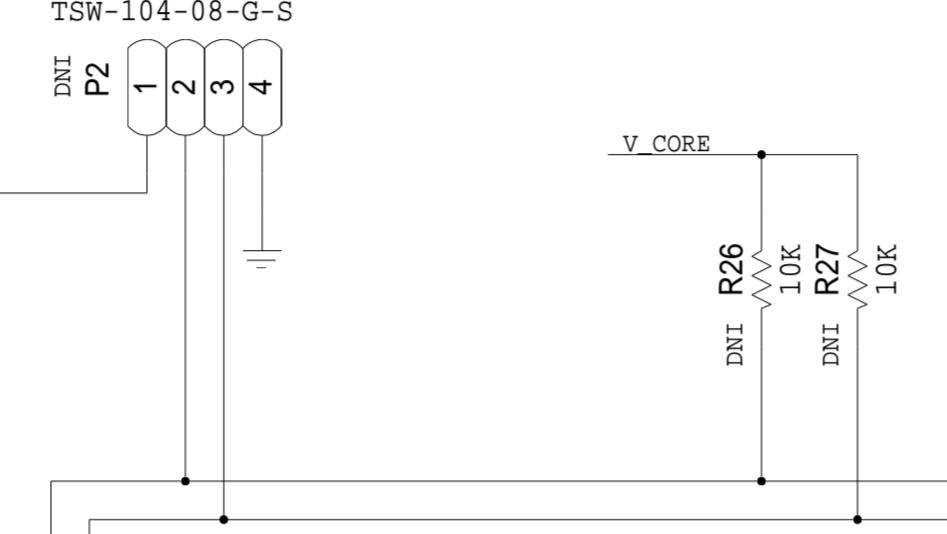


LCD CONNECTOR

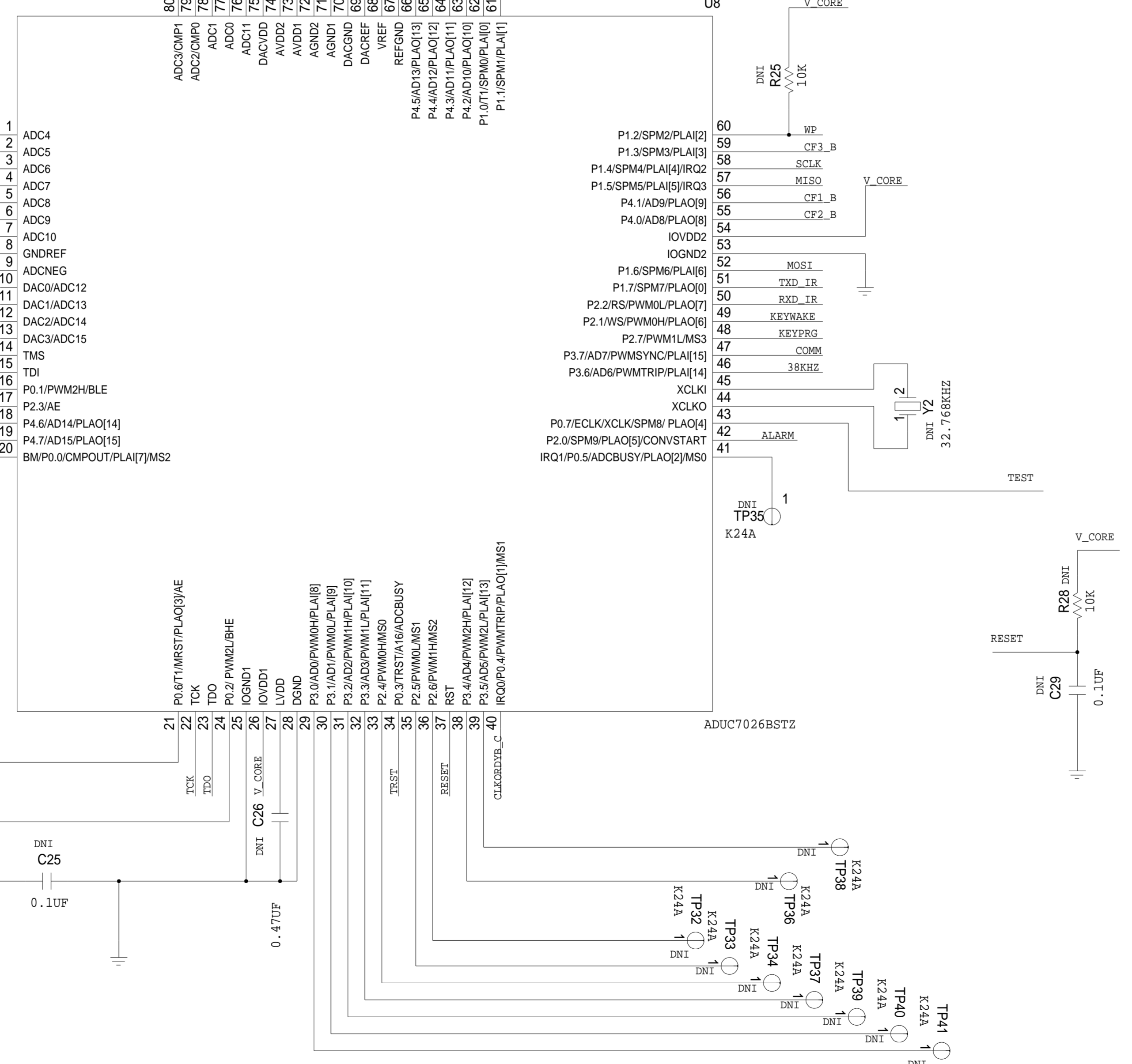
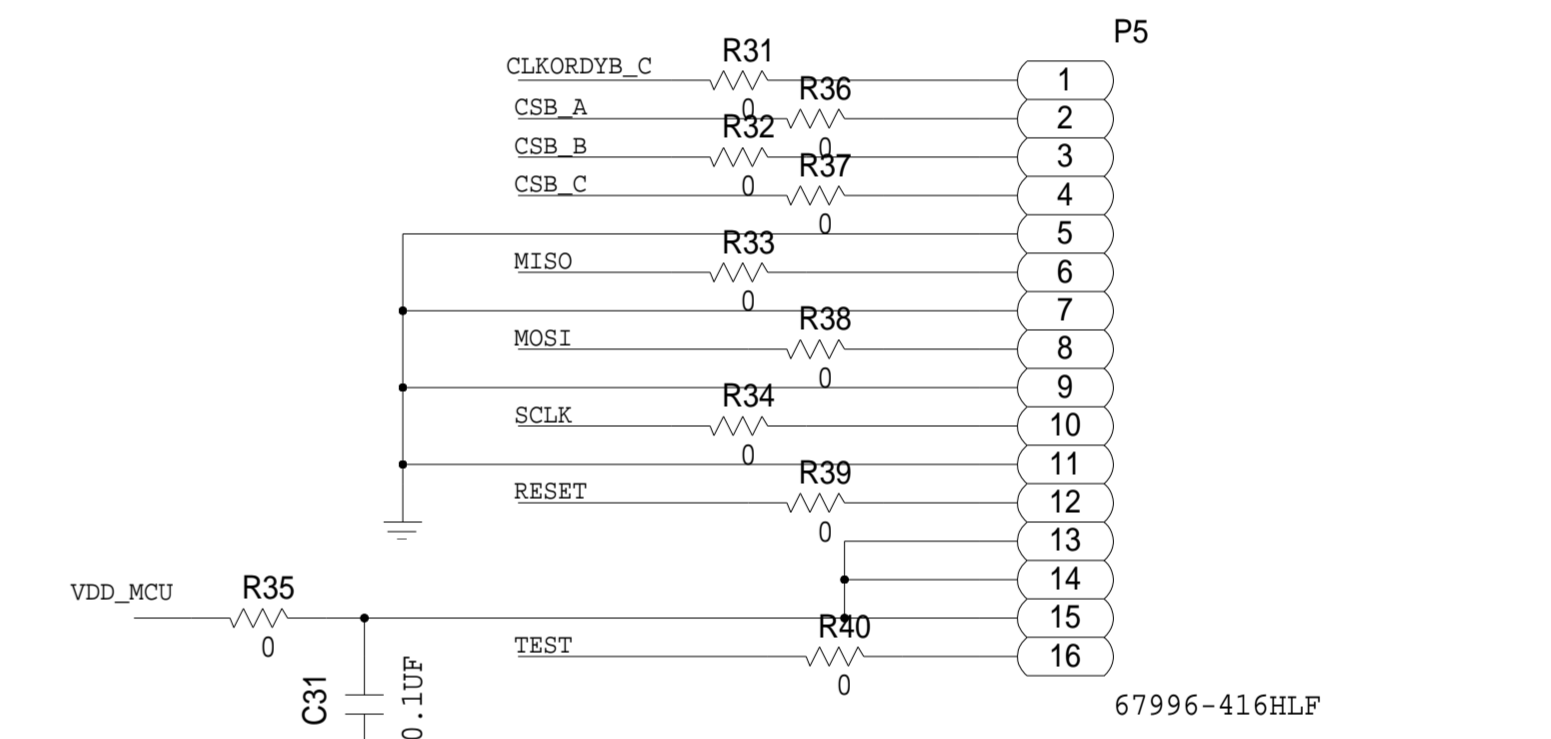


SERIAL DOWNLOAD PORT

NEED TO VERIFY PIN OUT
TSW-104-08-G-S



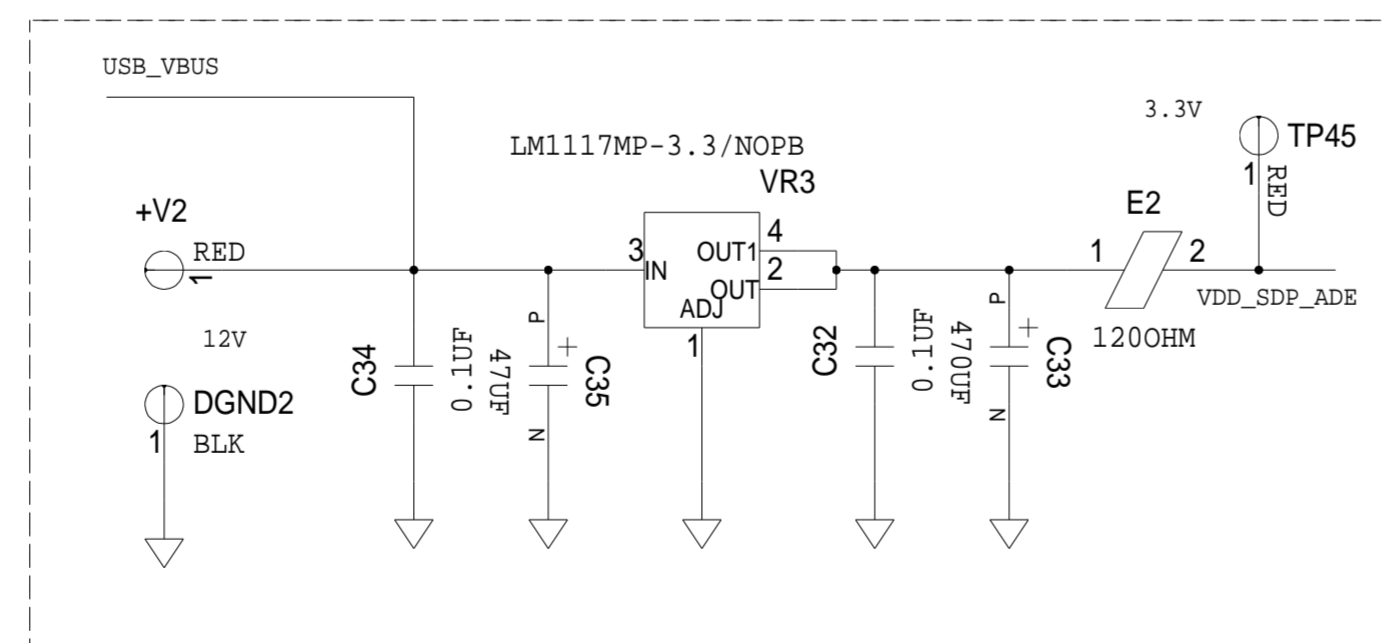
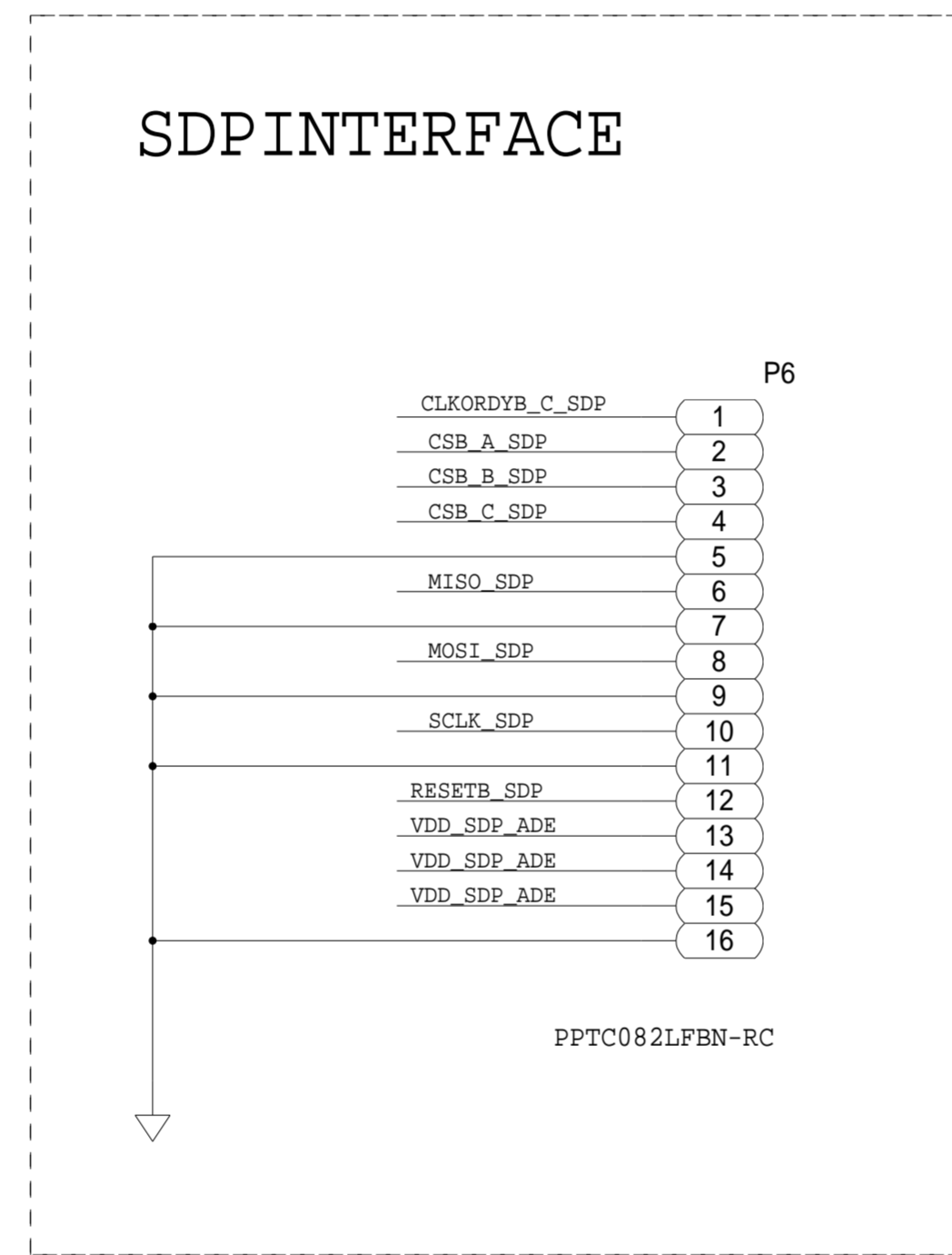
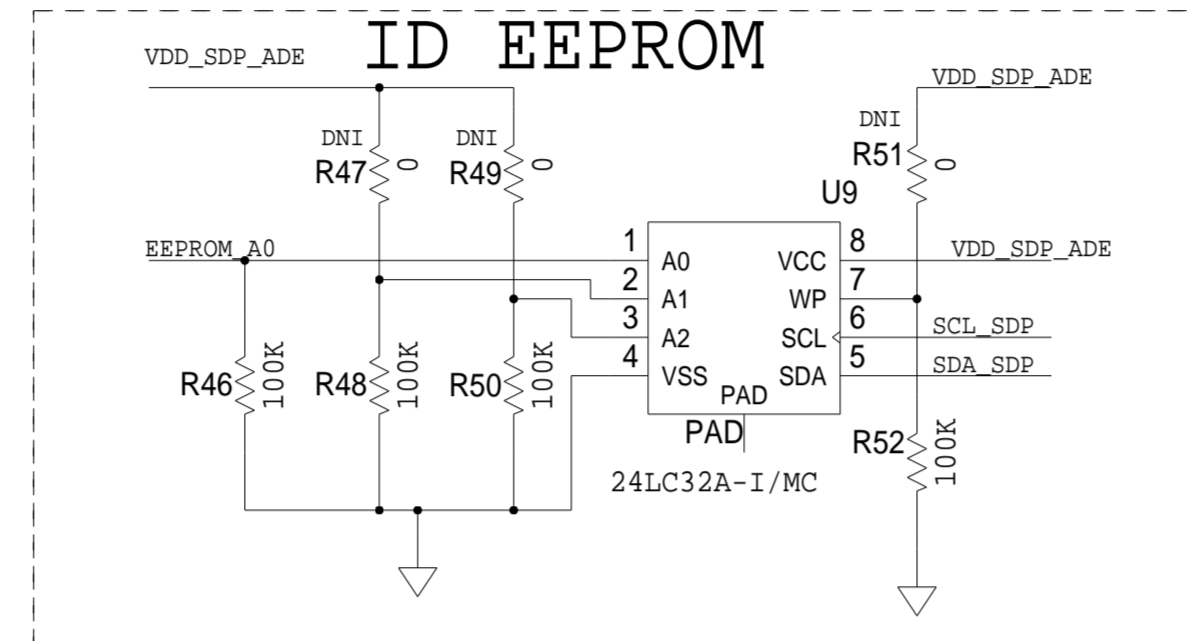
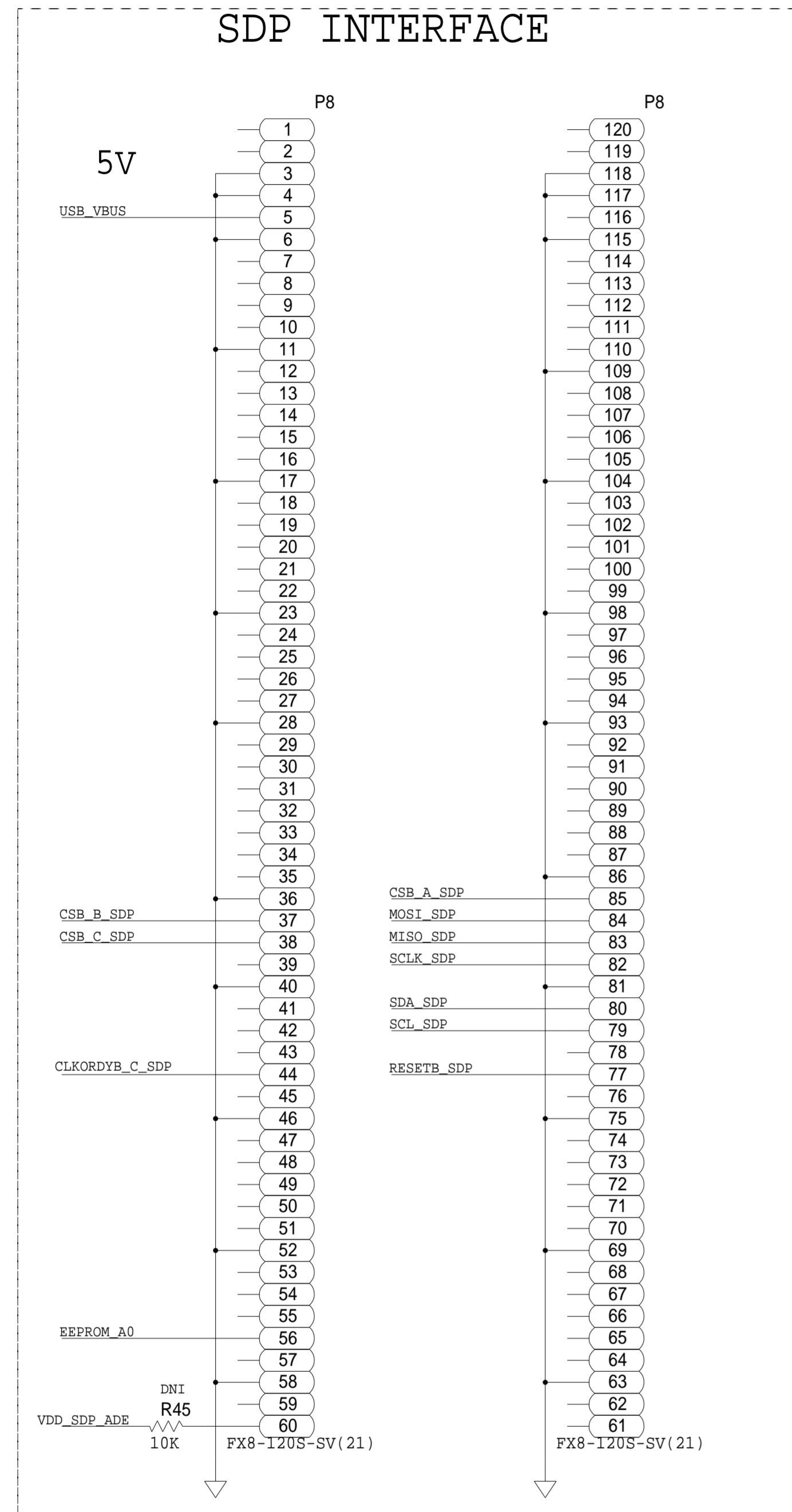
ADE7913 EVAL PORT



	SCHEMATIC		
	HW TYPE: Customer Evaluation Board AD37913		
	DESIGN VIEW <DESIGN_VIEW>	DRAWING NO. 02-033799	REV D
	PTD ENGINEER D SMITH	SIZE D	SCALE 1:1
		SHEET 3 OF 8	

REVISIONS			
REV	DESCRIPTION	DATE	APPROVED

THIS IS THE SDP INTERFACE BD
 THIS ADAPTS THE METROLOGY BD TO THE SDP AS AN EVAL BD

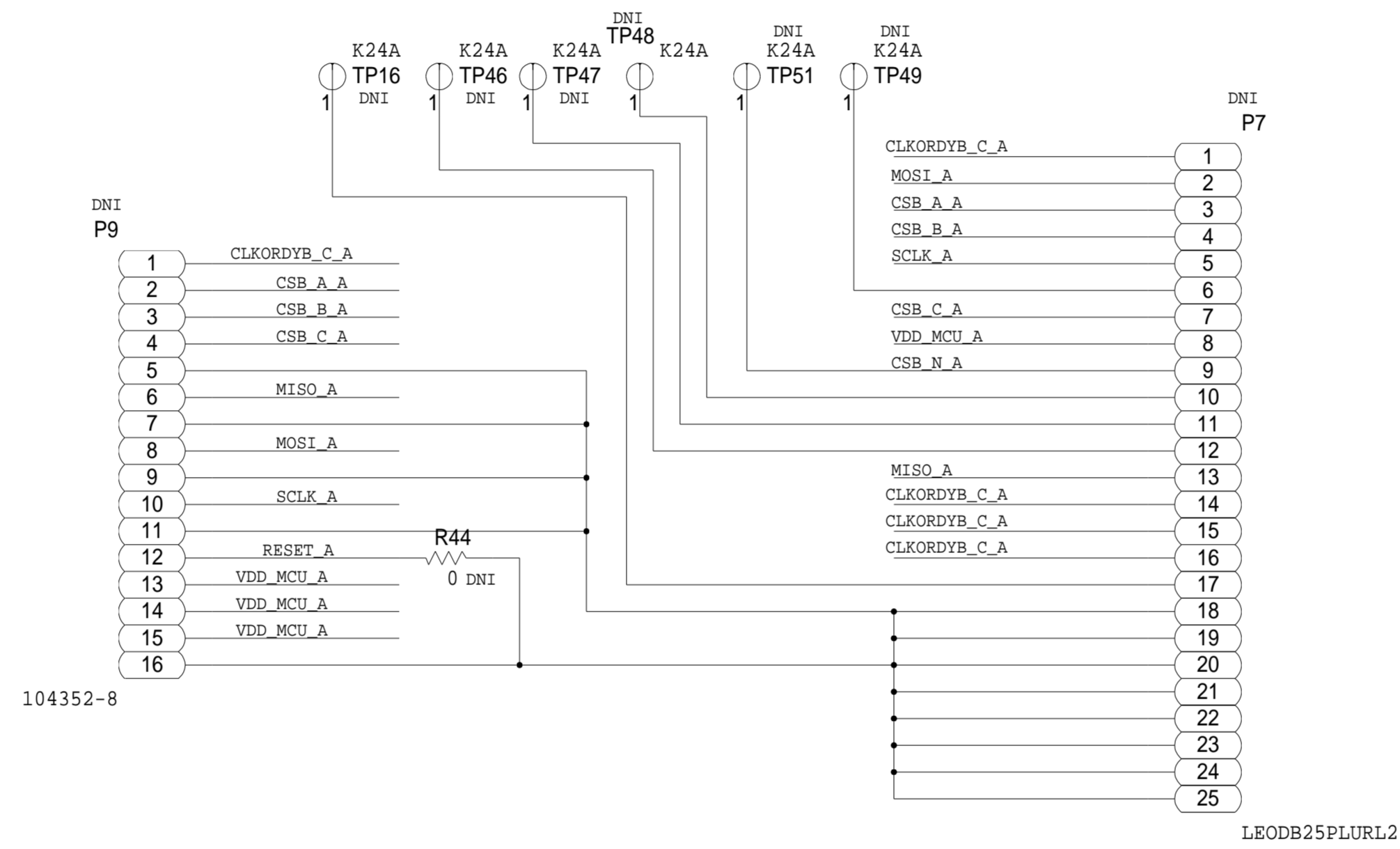


	SCHEMATIC		
	HW TYPE: Customer Evaluation Board AD37913		
DESIGN VIEW <DESIGN_VIEW>	DRAWING NO. 02-033799	REV D	
PTD ENGINEER D SMITH	SIZE D	SCALE 1:1	SHEET 4 OF 8

8 7 6 5 4 3 2 1

REVISIONS			
REV	DESCRIPTION	DATE	APPROVED

THIS IS A SECTION OF THE BOARD TO BE SNAPPED OFF



	SCHEMATIC		
	HW TYPE: Customer Evaluation Board AD37913		
	DESIGN VIEW <DESIGN_VIEW>	DRAWING NO. 02-033799	REV D
PTD ENGINEER D SMITH	SIZE D	SCALE 1:1	SHEET 5 OF 8

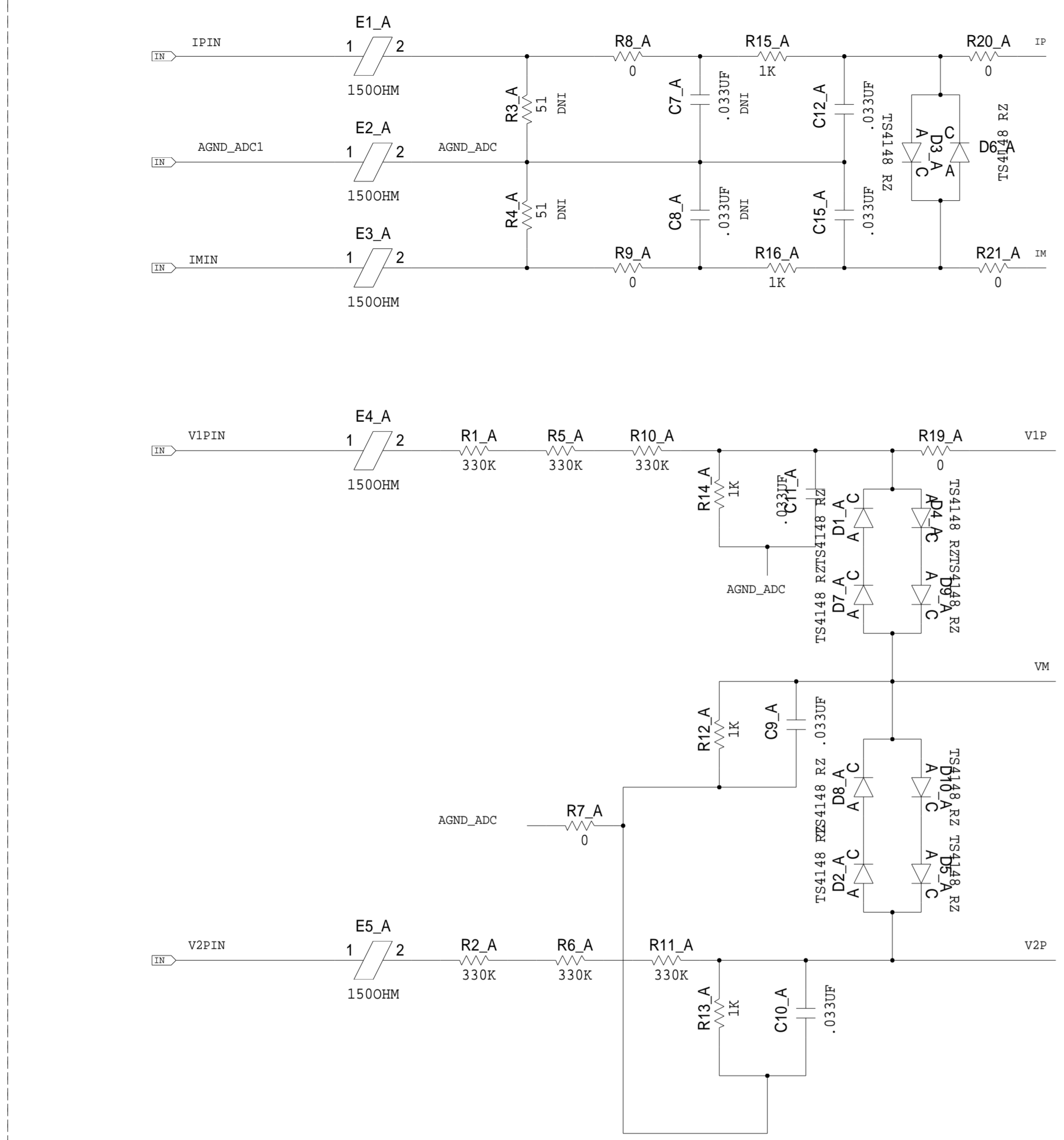
8 7 6 5 4 3 2 1

REVISIONS			
REV	DESCRIPTION	DATE	APPROVED

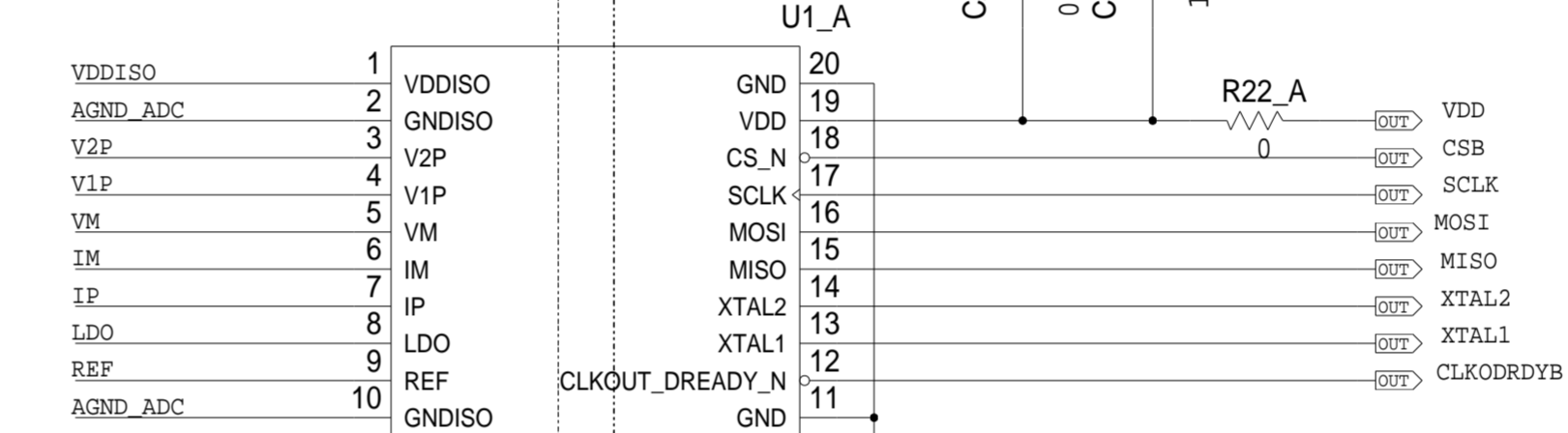
SECONDARY (ISO) SIDE

PRIMARY SIDE

ANALOG INPUT PER PHASE

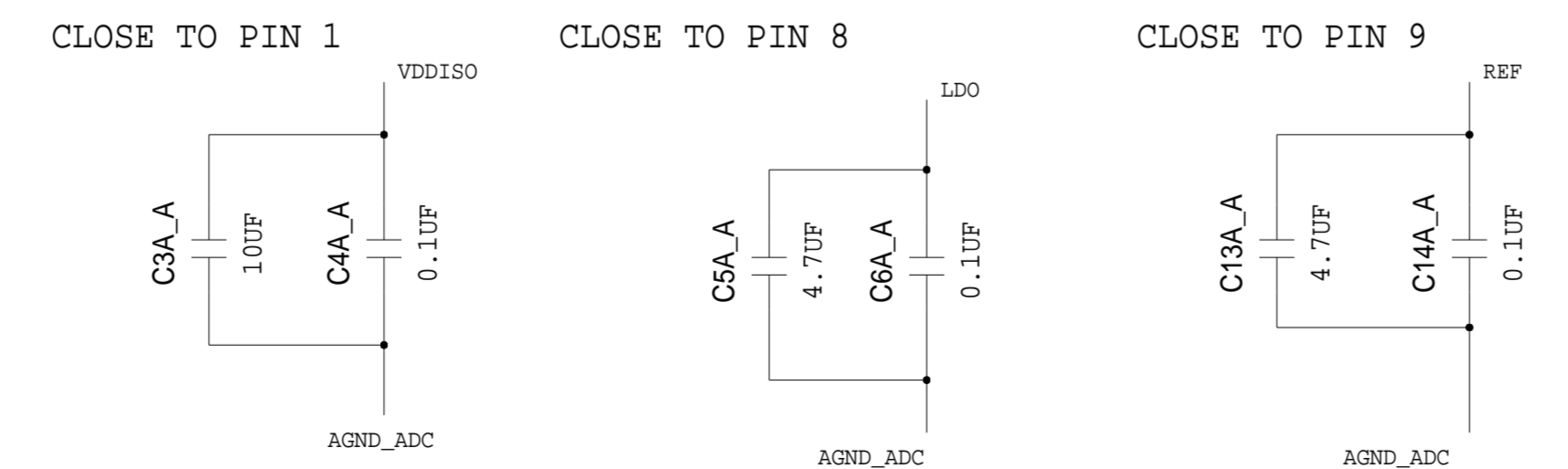


TEST PROBE POINTS FOR PRIMARY GROUND



SUPPLY BYPASS
 LAYOUT NOTE:
 KEEP THE VDD BYPASS CAP CLOSE TO DUT PIN19
 NOTE:KEEP THE HIGH FREQ BYPASS CAP(0.1UF) CLOSE TO THE DUT PIN

SUPPLY BYPASS



LAYOUT NOTE:
 1. KEEP THE BYPASS CAP CIRCUITS CLOSE TO THE DUT PINS IN THE FOLLOWING ORDER
 A.) REF B)LDO C.)VDDISO AND WITH HIGH FREQ. CAPS(0.1UF) CLOSEST

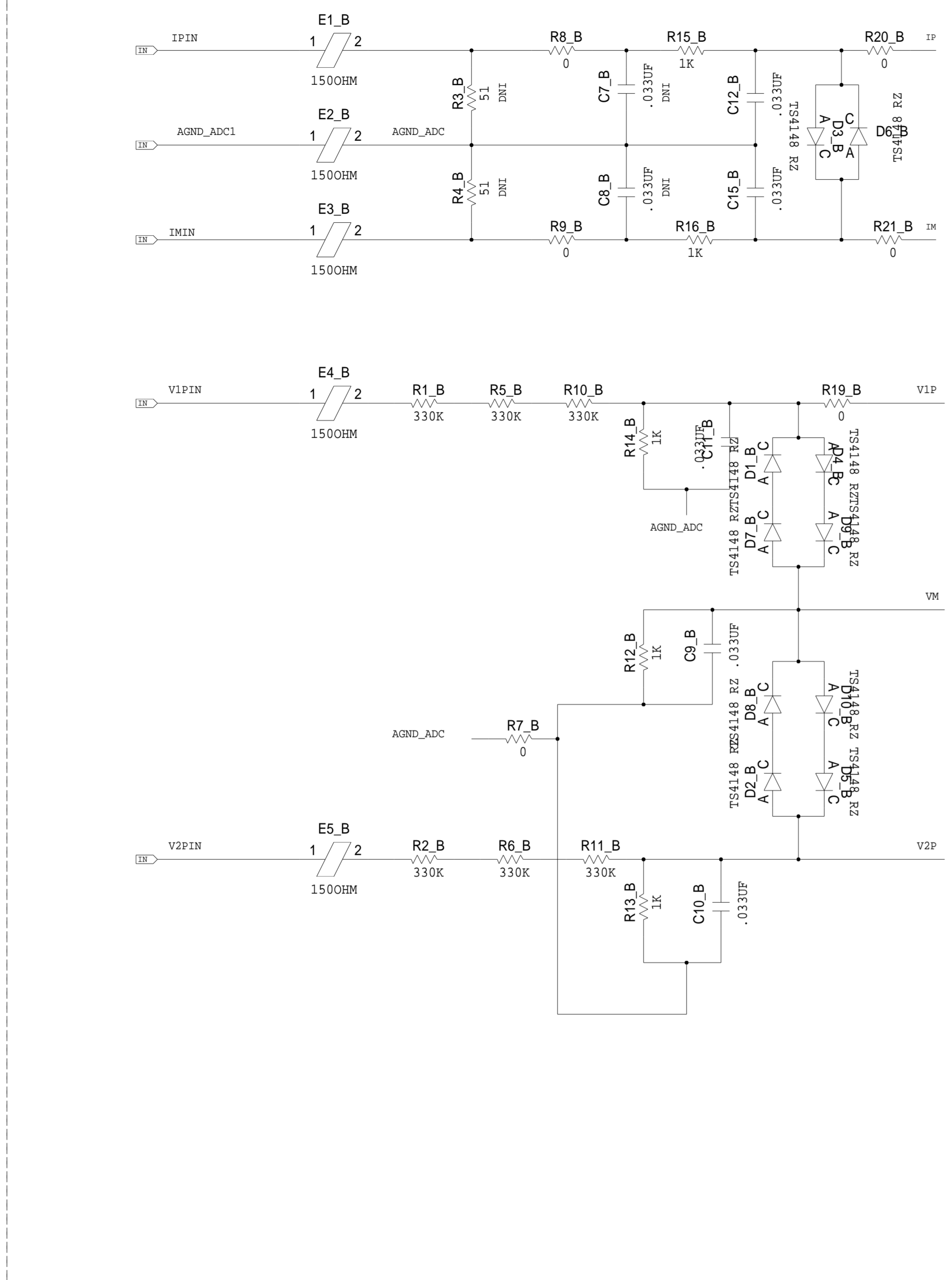
	SCHEMATIC		
	HW TYPE: Customer Evaluation Board AD37913		
DESIGN VIEW <DESIGN_VIEW>	DRAWING NO. 02-033799	REV D	
PTD ENGINEER D SMITH	SIZE D	SCALE 1:1	SHEET 6 OF 8

REVISIONS			
REV	DESCRIPTION	DATE	APPROVED

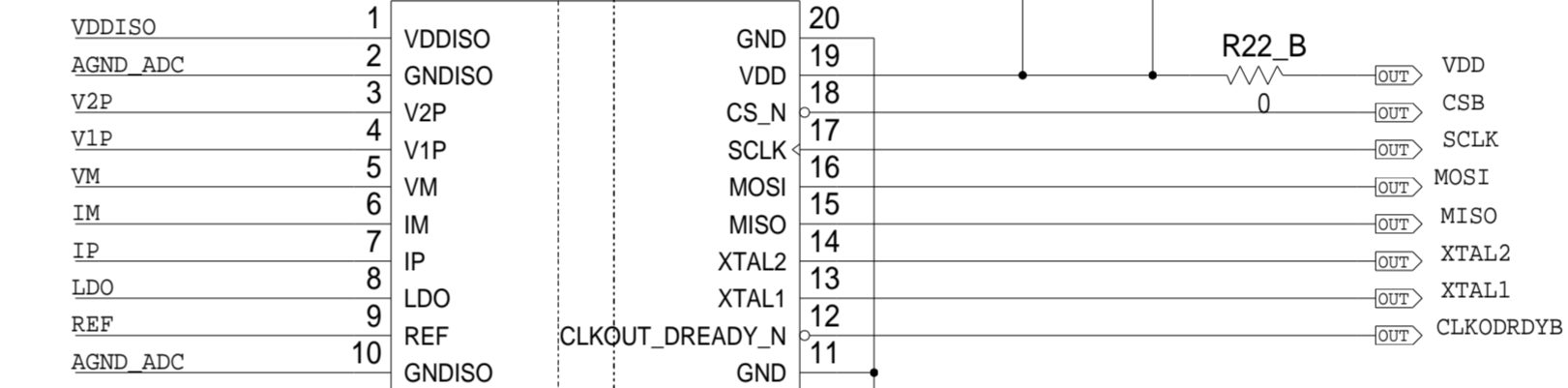
SECONDARY (ISO) SIDE

PRIMARY SIDE

ANALOG INPUT PER PHASE

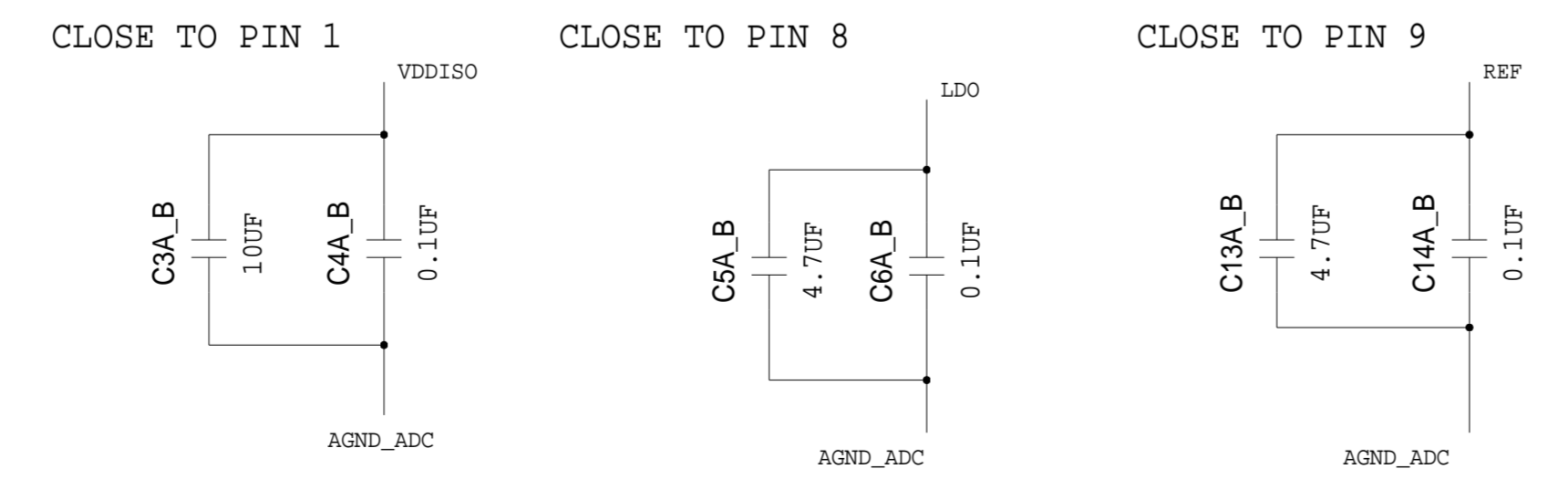


TEST PROBE POINTS FOR PRIMARY GROUND



SUPPLY BYPASS
 LAYOUT NOTE:
 KEEP THE VDD BYPASS CAP CLOSE TO DUT PIN19
 NOTE:KEEP THE HIGH FREQ BYPASS CAP(0.1UF) CLOSE TO THE DUT PIN

SUPPLY BYPASS



LAYOUT NOTE:
 1. KEEP THE BYPASS CAP CIRCUITS CLOSE TO THE DUT PINS IN THE FOLLOWING ORDER
 A.) REF B)LDO C.)VDDISO AND WITH HIGH FREQ. CAPS(0.1UF) CLOSEST

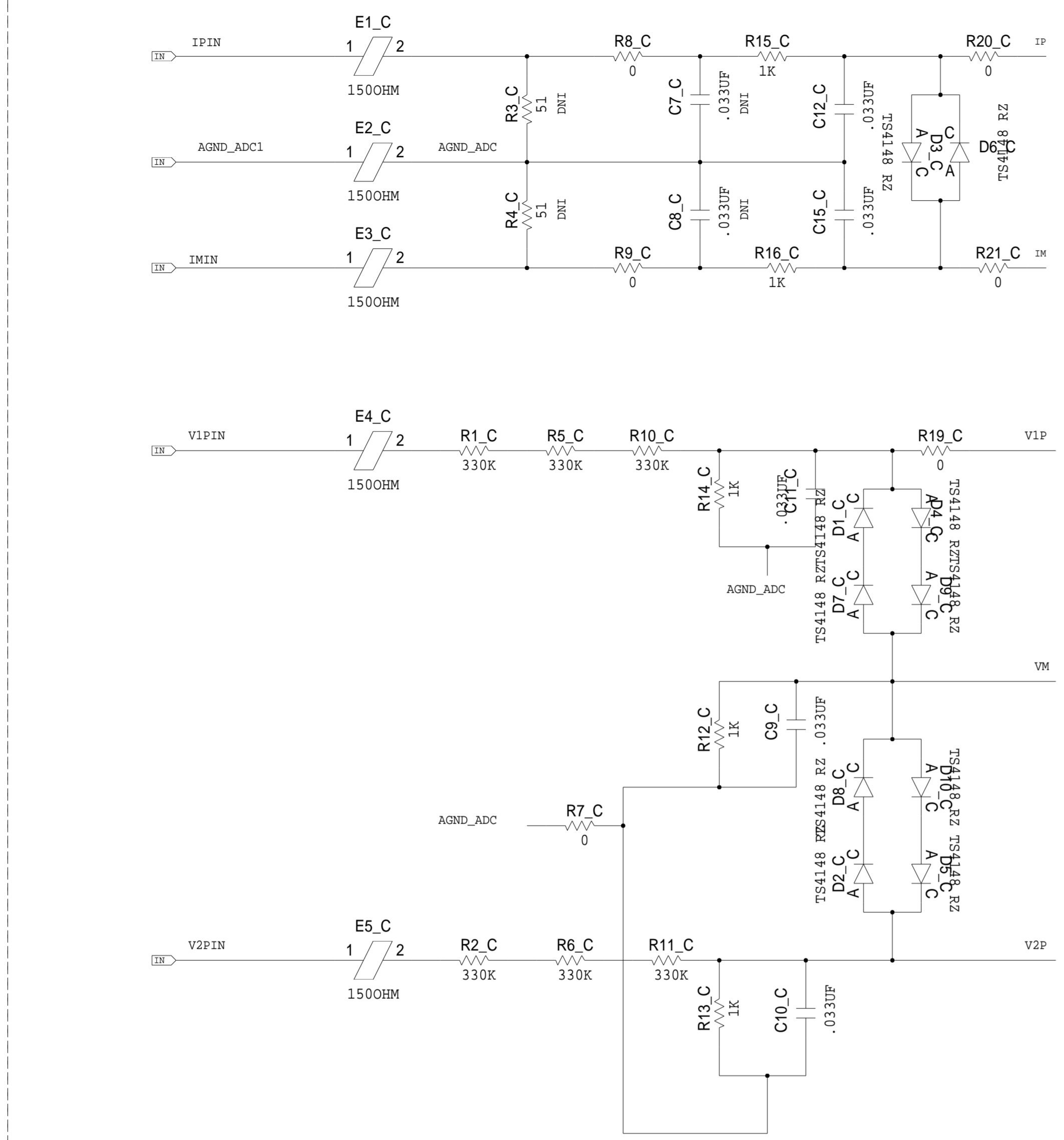
	SCHEMATIC		
	HW TYPE: Customer Evaluation Board AD37913		
DESIGN VIEW <DESIGN_VIEW>	DRAWING NO. 02-033799	REV D	
PTD ENGINEER D SMITH	SIZE D	SCALE 1:1	SHEET 7 OF 8

REVISIONS			
REV	DESCRIPTION	DATE	APPROVED

SECONDARY (ISO) SIDE

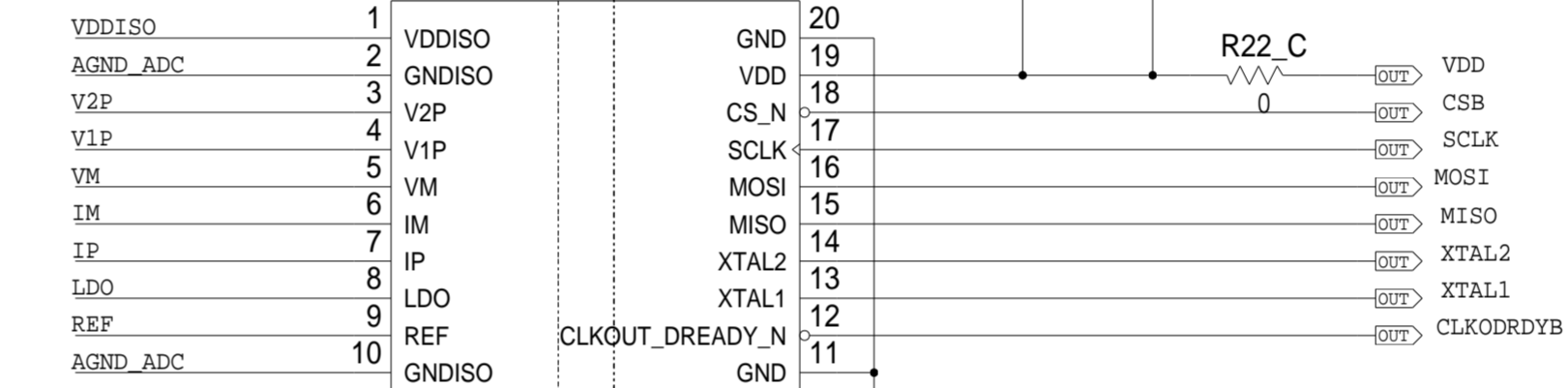
PRIMARY SIDE

ANALOG INPUT PER PHASE



TEST PROBE POINTS FOR PRIMARY GROUND

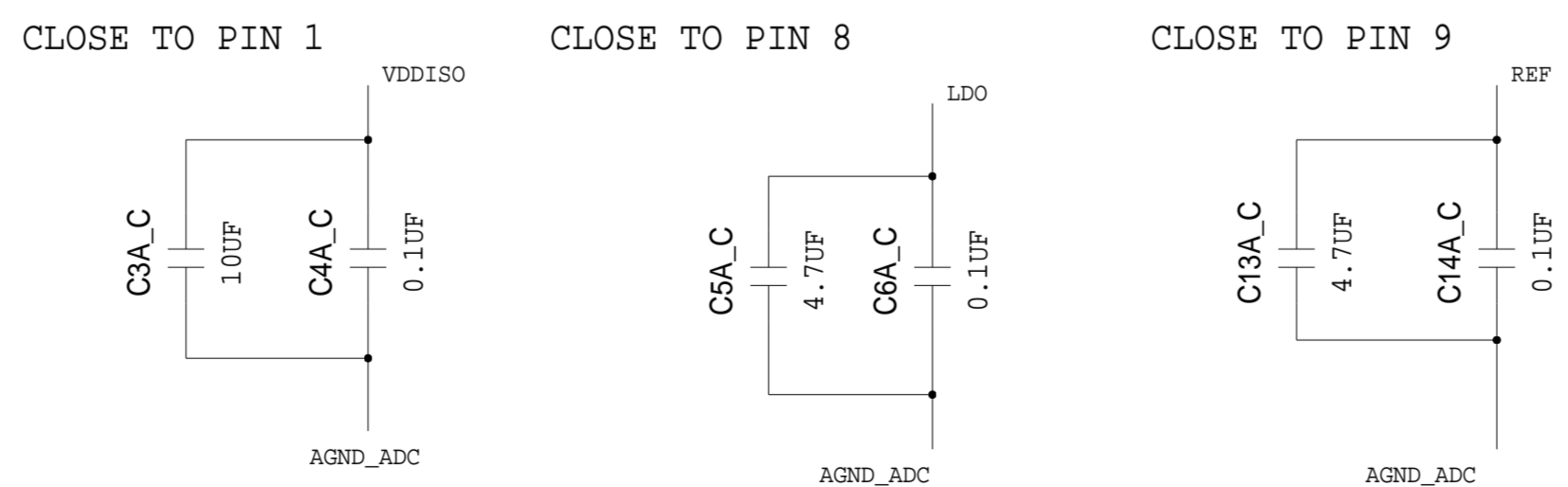
NET NAME SWAP TO REFLECT THE NEW SYMBOL YET TO BE CREATED.
V1P AND VM



SUPPLY BYPASS

LAYOUT NOTE:
KEEP THE VDD BYPASS CAP CLOSE TO DUT PIN19
NOTE:KEEP THE HIGH FREQ BYPASS CAP(0.1UF) CLOSE TO THE DUT PIN

SUPPLY BYPASS



LAYOUT NOTE:
1. KEEP THE BYPASS CAP CIRCUITS CLOSE TO THE DUT PINS IN THE FOLLOWING ORDER
A.) REF B)LDO C.)VDDISO AND WITH HIGH FREQ. CAPS(0.1UF) CLOSEST

	SCHEMATIC		
	HW TYPE: Customer Evaluation Board AD37913		
DESIGN VIEW <DESIGN_VIEW>	DRAWING NO. 02-033799	REV D	
PTD ENGINEER D SMITH	SIZE D	SCALE 1:1	SHEET 8 OF 8