

GS Series

- Standard, Long life down size and high ripple current



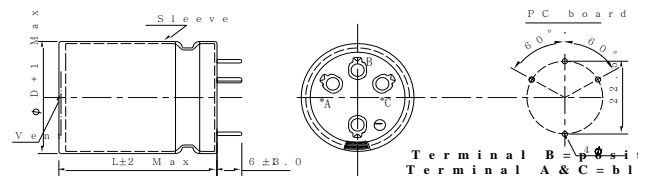
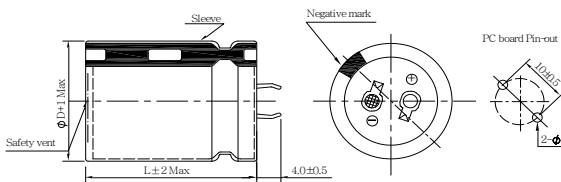
SPECIFICATIONS

Item	Performance Characteristics																
Category Temperature Range	-25 ~ +85°C																
Working Voltage Range	200 ~ 500Vdc																
Capacitance Range	68 ~ 2,200 μF																
Capacitance Tolerance	±20% (at 25°C and 120Hz)																
Dissipation Factor (tanδ) (at 25°C, 120Hz)	<table border="1"> <tr> <td>Rated Voltage (V)</td> <td>200</td> <td>220</td> <td>250</td> <td>400</td> <td>420</td> <td>450</td> <td>500</td> </tr> <tr> <td>tanδ(Max)</td> <td>0.20</td> <td>0.20</td> <td>0.20</td> <td>0.20</td> <td>0.20</td> <td>0.20</td> <td>0.20</td> </tr> </table>	Rated Voltage (V)	200	220	250	400	420	450	500	tanδ(Max)	0.20	0.20	0.20	0.20	0.20	0.20	0.20
	Rated Voltage (V)	200	220	250	400	420	450	500									
tanδ(Max)	0.20	0.20	0.20	0.20	0.20	0.20	0.20										
The above value should be increased by 0.02 for every additional 1000μF																	
Leakage Current	I=0.02CV or 3000μA, whichever is smaller I : Leakage current (μA) C : Rated capacitance (μF) V : Rated voltage (V) Impress the rated voltage for 5 minutes																
Low Temperature Characteristics Impedance Ratio(MAX)	<table border="1"> <tr> <td>Rated voltage (V)</td> <td>200 ~250</td> <td>400</td> <td>420 ~ 450</td> <td>500</td> </tr> <tr> <td>Z(-25°C)/Z(+20°C)</td> <td>4</td> <td>4</td> <td>8</td> <td>8</td> </tr> </table>	Rated voltage (V)	200 ~250	400	420 ~ 450	500	Z(-25°C)/Z(+20°C)	4	4	8	8						
	Rated voltage (V)	200 ~250	400	420 ~ 450	500												
Z(-25°C)/Z(+20°C)	4	4	8	8													
(at 120Hz)																	
Endurance	The following specifications shall be satisfied when the capacitors are restored to 25 °C after subjected to DC voltage with the rated ripple current is applied for 3,000 hours at 85 °C.																
	<table border="1"> <tr> <td>Capacitance change</td> <td>≡ ±20% of the initial value</td> </tr> <tr> <td>Dissipation factor(tanδ)</td> <td>≡ 200% of the specified value</td> </tr> <tr> <td>Leakage current</td> <td>≡ specified value</td> </tr> </table>	Capacitance change	≡ ±20% of the initial value	Dissipation factor(tanδ)	≡ 200% of the specified value	Leakage current	≡ specified value										
	Capacitance change	≡ ±20% of the initial value															
Dissipation factor(tanδ)	≡ 200% of the specified value																
Leakage current	≡ specified value																
Shelf Life	The following requirements shall be satisfied when the capacitor are restored to 25 °C after exposing them for 1,000 hours at 85 °C without voltage applied.																
	<table border="1"> <tr> <td>Capacitance change</td> <td>≡ ±20% of the initial value</td> </tr> <tr> <td>Dissipation factor(tanδ)</td> <td>≡ 200% of the specified value</td> </tr> <tr> <td>Leakage current</td> <td>≡ 200% of the specified value</td> </tr> </table>	Capacitance change	≡ ±20% of the initial value	Dissipation factor(tanδ)	≡ 200% of the specified value	Leakage current	≡ 200% of the specified value										
	Capacitance change	≡ ±20% of the initial value															
Dissipation factor(tanδ)	≡ 200% of the specified value																
Leakage current	≡ 200% of the specified value																
Others	Conforms to JIS-C-5101-4 (1998), characteristic W																

DIMENSIONS (mm)

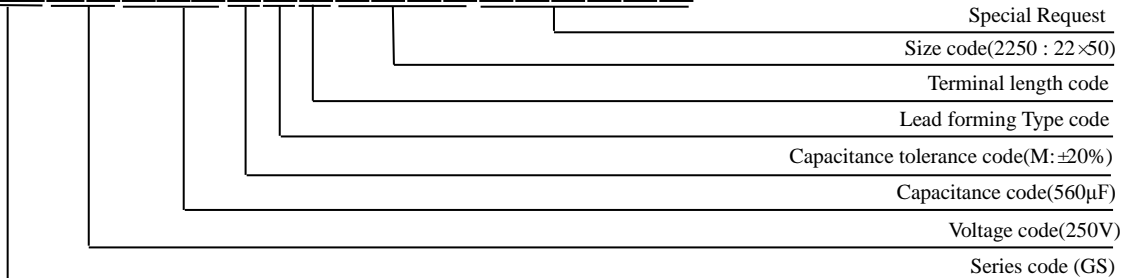
Terminal Code : ND : Standard

Terminal Code :K6 (ø35)



PART NUMBER SYSTEM (Example : 250V 560 μF)

G S 2 E 5 6 I M N D 2 2 5 0 Y



Aluminum Electrolytic Capacitor

Customer	Digi-Key	SERIES	GS	NO.:	PUBLISH DATE	2022-03-25
----------	----------	--------	----	------	--------------	------------

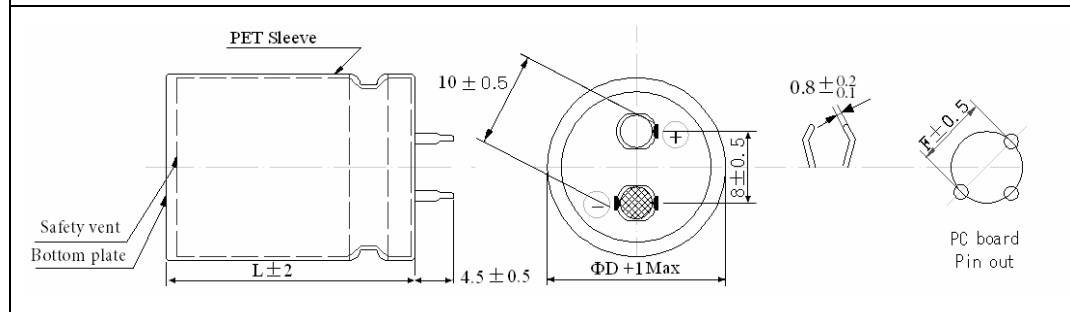


FIG-1

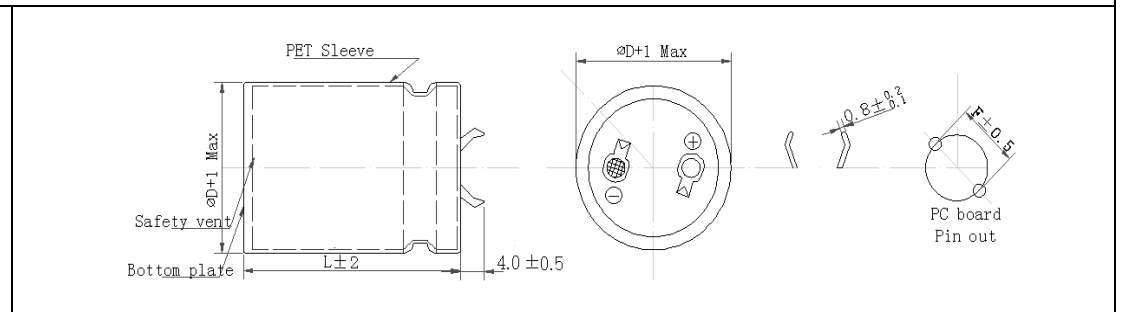


FIG-2

No.	CHINSAN Part No.	Customer Part No.	Capacitance (uF)	Tolerance On rated Capacitance (%)	Working Voltage (Vdc)	Surge Voltage (Vdc)	Category Temp Range (°C)	Tanδ @ 25°C (120Hz) (Max)	Leakage Current (uA) (2 min.)	Rated Ripple Current (mA rms) @ 85°C 120Hz	Rated Ripple Current (mA rms) @ 85°C 100kHz	ESR @25°C (mΩ max/ 120Hz)	Impedance @20°C (mΩ max/ 100kHz)	Endurance @ 85°C (Hours)	Dimensions (mm)					Appearance Drawing No
															D Φ	L	a	d	F	
1	GS2G471MW43040A	/	470 μF	±20%	400 V	/	-25~+85	/	/	2510	/	/	350	3000	30	40	/	/	10	FIG-1
2	GS1H222MND2225	/	2200 μF	±20%	50 V	/	-40~+85	/	/	1930	/	/	/	3000	22	25	/	/	10	FIG-2
3	GS2C102MND2250	/	1000 μF	±20%	160 V	/	-25~+85	/	/	3110	/	/	/	3000	22	50	/	/	10	FIG-2
4	GS2E681MND2255	/	680 μF	±20%	250 V	/	-25~+85	/	/	2650	/	/	/	3000	22	55	/	/	10	FIG-2
5	GS2G331MND3531	/	330 μF	±20%	400 V	/	-25~+85	/	/	1870	/	/	/	3000	35	31	/	/	10	FIG-2
6	GS2G471MND3040	/	470 μF	±20%	400 V	/	-25~+85	/	/	2120	/	/	/	3000	30	40	/	/	10	FIG-2
7	GS2G331MW43033A	/	330 μF	±20%	400 V	/	-25~+85	/	/	1950	/	500	/	3000	30	33	/	/	10	FIG-1
8	GS2W471MW43045A	/	470 μF	±20%	450 V	/	-25~+85	/	/	2620	/	500	/	3000	30	45	/	/	10	FIG-1
9	GS2G121MND2230	/	120 μF	±20%	400 V	/	-25~+85	/	/	1040	/	1659	/	3000	22	30	/	/	10	FIG-2
10	GS2E561MW42535R	/	560 μF	±20%	250 V	/	-40~+85	/	/	2500	/	360	/	3000	25	35	/	/	10	FIG-1

※Test leakage current before testing dissipation factor and capacitance during the electric characteristic test.

REMARKS: Sleeve Color: Dark Blue.	APPROVED BY 张洪斌	CHECKED BY 曾爱娥	PREPARED BY 梁慧妍
---	---------------------------	--------------------------	---------------------------

Aluminum Electrolytic Capacitor

Customer	Digi-Key	SERIES	GS	NO.:	PUBLISH DATE	2022-03-25
-----------------	-----------------	---------------	-----------	-------------	---------------------	-------------------

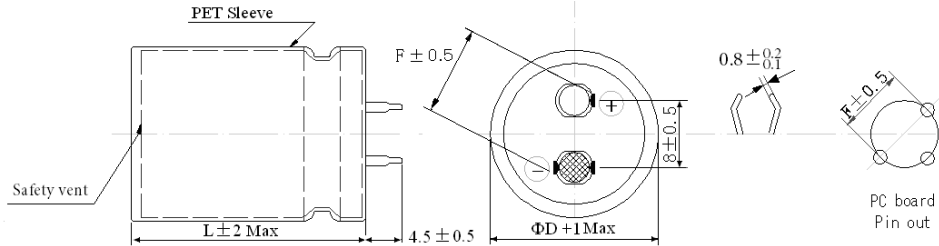


FIG-1

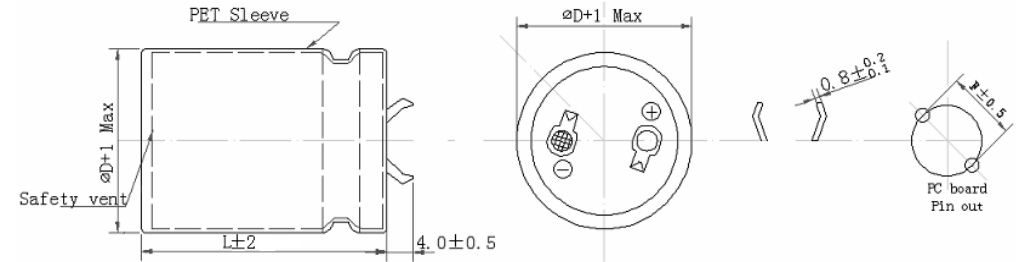


FIG-2

No.	CHINSAN Part No.	Customer Part No.	Capacitance (uF)	Tolerance On rated Capacitance (%)	Working Voltage (Vdc)	Surge Voltage (Vdc)	Category Temp Range (°C)	Tanδ @ 25°C (120Hz) (Max)	Leakage Current (uA) (2 min.)	Rated Ripple Current (mA rms) @ 85°C 120Hz	Rated Ripple Current (mA rms) @ 85°C 100kHz	ESR @25°C (mΩ max/ 120Hz)	Impedance @20°C (mΩ max/ 100kHz)	Endurance @ 85°C (Hours)	Dimensions (mm)					Appearance Drawing No
															D Φ	L	a	d	F	
1	GS2G331MW43040Y	/	330 μF	±20%	400 V	/	-25~+85	/	/	2110	/	600	/	3000	30	40	/	/	10	FIG-1
2	GS2S821MND3550RY	/	820 μF	±20%	420 V	/	-25~+85	/	/	3740	/	/	/	3000	35	50	/	/	10	FIG-2
3	GS1E153MND3025Y	/	15000 μF	±20%	25 V	/	-40~+85	/	/	3750	/	/	/	3000	30	25	/	/	10	FIG-2

※Test leakage current before testing dissipation factor and capacitance during the electric characteristic test.

REMARKS:	APPROVED BY	CHECKED BY	PREPARED BY
Sleeve Color: Dark Blue. Suffix Y represents assembly without gasket.	张洪斌	曾爱娥	梁慧妍