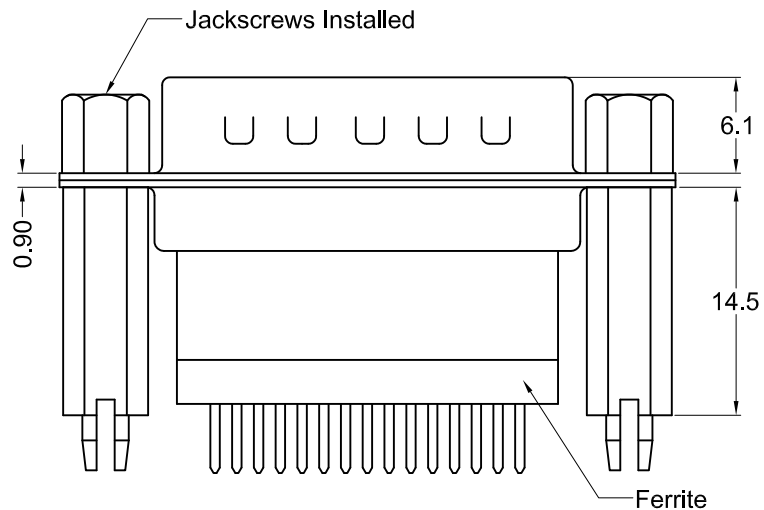
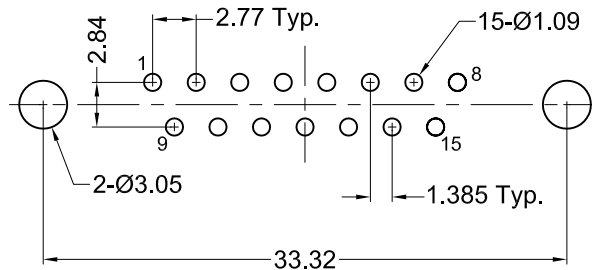
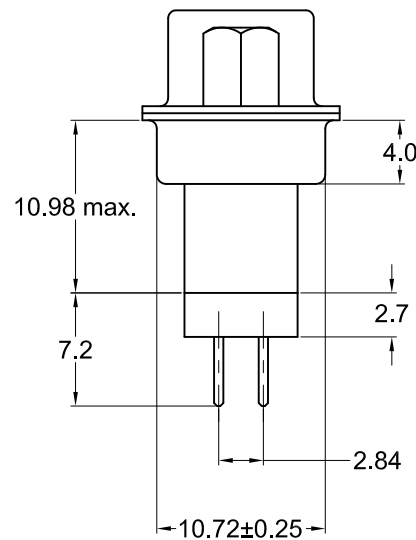


Recommended PCB Layout  
(Top View)



boardlocks not shown  
in this view



**Material and Finish**

Shell: Steel, Nickel Plated

Insulator: PBT with Glass-Fiber Reinforcement  
UL 94V-0 Rated  
Color-Black

Contact Material:  
Plug- Brass

Contact Construction:  
Precision Machined

Contact Plating Options:  
Standard Option:  
Gold Flash over Nickel  
on Entire Contact

**Electrical Specifications**

Rated Current: 2A

Rated Voltage: 30V RMS

Dielectric Withstanding Voltage:  
1000V (rms) AC for 1 minute

Insulation Resistance:  
more than 1000 Megohm  
at 500V DC

Contact Resistance:  
13 milliohm max.

Temperature Rating:  
-55°C to +105°C

**Ferrite Specifications**

Measured Value(OHM)	Test Frequency
20 MIN.	25 MHz.
50 MIN.	100 MHz.



Tolerances
X.X ± 0.25
X.XX ± 0.15
Unless Stated Otherwise

REV.	DATE	DESCRIPTION	REV. BY	CHK. BY	DRAWN BY	DATE
A1	02/03/11	New Drawing	S. Vien	H. MA	S. Vien	04/01/10
A2	12/31/17	ECO #17-035	J. Elbanna	C. Furumasu		

**KF88X-AC-15P-BRJ**

Vertical D-Sub, 15 Male, Hi-Prof, Mach Pins  
Ferrite, Boardlocks, JS, RoHS Compliant

