



# Product Change Notification

PCN#: RACKS CABLE MGMT- YYYY-MM-DD-X

Issue Date: 20Aug2017

Impacted Regions: NA EMEA LATAM AP

Reason for Change: Discontinuation Other

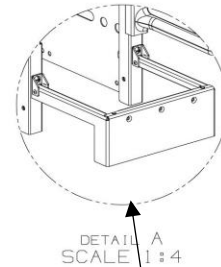
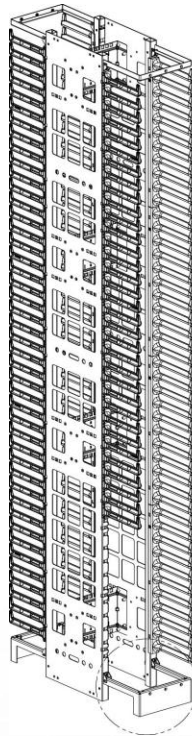
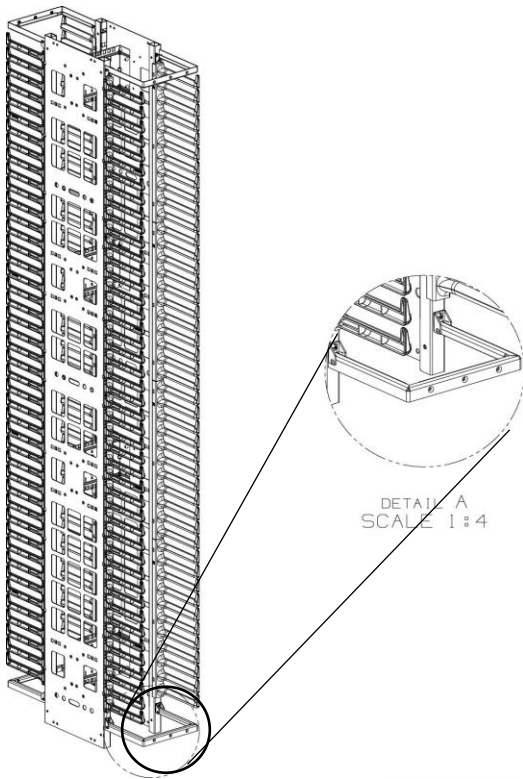
**DESCRIPTION OF CHANGE:** *(Not required for discontinuation)*

We have redesigned the door mount bracket on Patchrunner (PEV) products to add a base for support. The new bracket rests on the floor eliminating the possibility of it being deformed. This will be a running change to all affected products.

**PHOTOS/DRAWING** *(where applicable)*

Old Version

New



Base added

**IMPACTED PART NUMBERS AND REPLACEMENT (where applicable) PART NUMBERS:**

No impact on part numbers, they will remain the same.

**DATES: DISCONTINUATION AND NEW PRODUCT AVAILABILITY:**

Schedule for Change	Year (YYYY)	Month (MM)	Day (DD)
New product sample availability date			
Old product discontinuation date*			



**\*Important:** After old product discontinuation date, the affected part numbers listed above will continue to be available for sale as long as supplies last. Product may be returned up to 60 days after the product discontinuation date.

<b>CUSTOMER SERVICE CONTACTS:</b>				
<b>ASIA PACIFIC</b>	AUSTRALIA: 1-800 7263848 <a href="mailto:AUS-CustomerService@panduit.com">AUS-CustomerService@panduit.com</a>	CHINA: 800-820-1900 <a href="mailto:CHN-CustomerService@panduit.com">CHN-CustomerService@panduit.com</a>	HONG KONG: 800-965768 <a href="mailto:CHN-CustomerService@panduit.com">CHN-CustomerService@panduit.com</a>	
	INDIA: 000 800 6501844 (Fixed Line) 000 800 6500369 (Mobile) <a href="mailto:IND-customer_service@panduit.com">IND-customer_service@panduit.com</a>	INDONESIA: 001 803 65 7571 <a href="mailto:SGP-customer_service@panduit.com">SGP-customer_service@panduit.com</a>	JAPAN: +81-3-6863-6000 <a href="mailto:JPN-CS@panduit.com">JPN-CS@panduit.com</a>	
	KOREA: 02-2182-7300 <a href="mailto:KOR-CustomerService@panduit.com">KOR-CustomerService@panduit.com</a>	MALAYSIA: 1800 801435 <a href="mailto:SGP-customer_service@panduit.com">SGP-customer_service@panduit.com</a>	SINGAPORE: 1-800-7263848 <a href="mailto:SGP-CUSTOMER_SERVICE@panduit.com">SGP-CUSTOMER_SERVICE@panduit.com</a>	
	TAIWAN: 0080 165 1487 <a href="mailto:SGP-CUSTOMER_SERVICE@panduit.com">SGP-CUSTOMER_SERVICE@panduit.com</a>	THAILAND: 001-800-65-6385 <a href="mailto:SGP-customer_service@panduit.com">SGP-customer_service@panduit.com</a>		
<b>LATIN AMERICA</b>	BRAZIL: 08000562613 (Toll Free) <a href="mailto:BRA-custservice@panduit.com">BRA-custservice@panduit.com</a>	MEXICO: +52-33-37776000, X80520 01 800 360 86 00 (Toll Free) <a href="mailto:mex-customerservice@panduit.com">mex-customerservice@panduit.com</a>	OTHER LA COUNTRIES: Phone USA 1-708-532-1800 <a href="mailto:TP-CS-INTERNATIONAL@panduit.com">TP-CS-INTERNATIONAL@panduit.com</a>	
<b>NORTH AMERICA</b>	USA & CANADA: 1-800-777-3300 <a href="mailto:cs@panduit.com">cs@panduit.com</a>	<b>EMEA</b>	Phone:: +44 208 6017219 <a href="mailto:EMEA-CustomerServices@panduit.com">EMEA-CustomerServices@panduit.com</a>	

To add a contact or to unsubscribe, please send an e-mail to [PCN@panduit.com](mailto:PCN@panduit.com)

