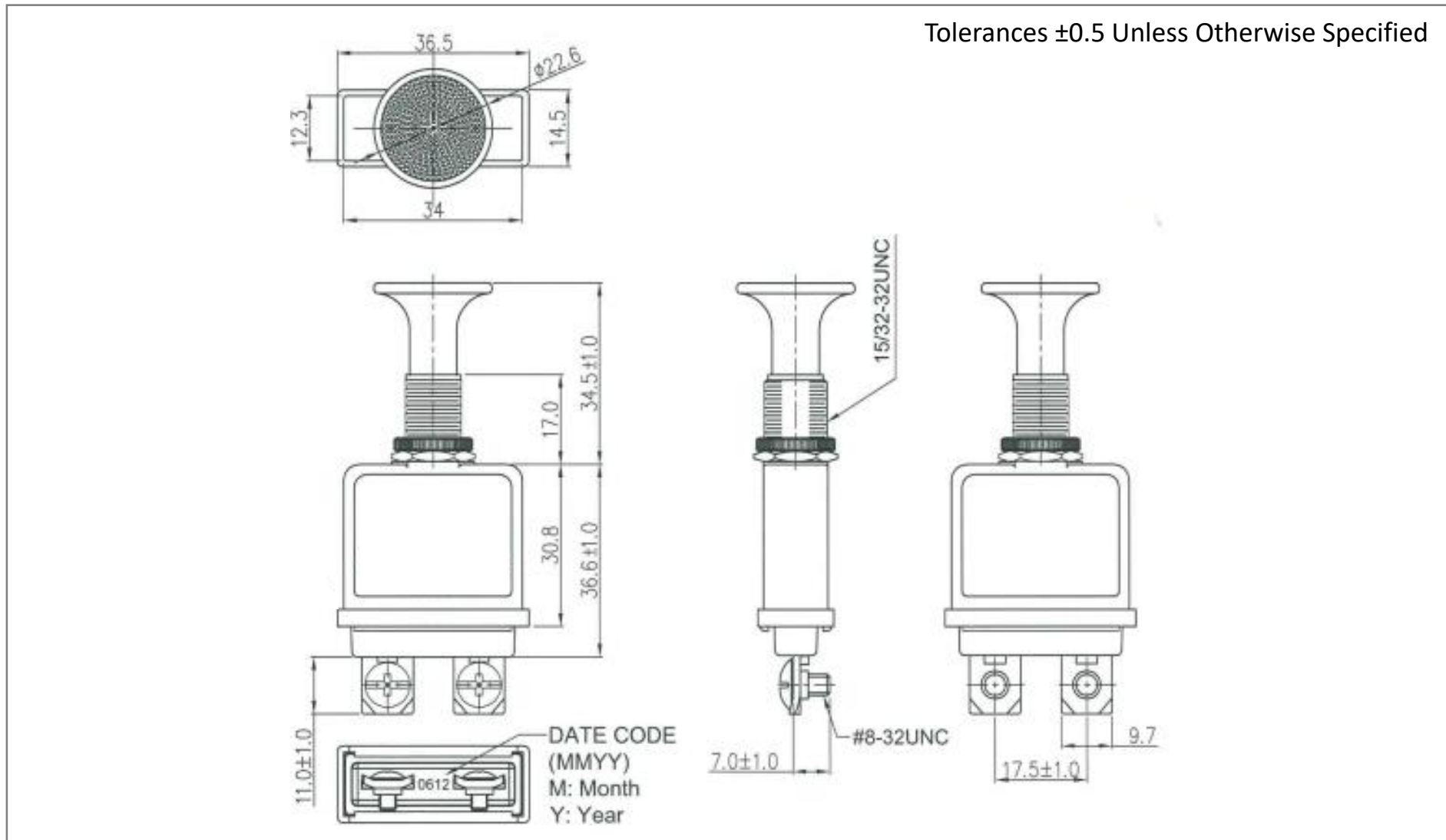
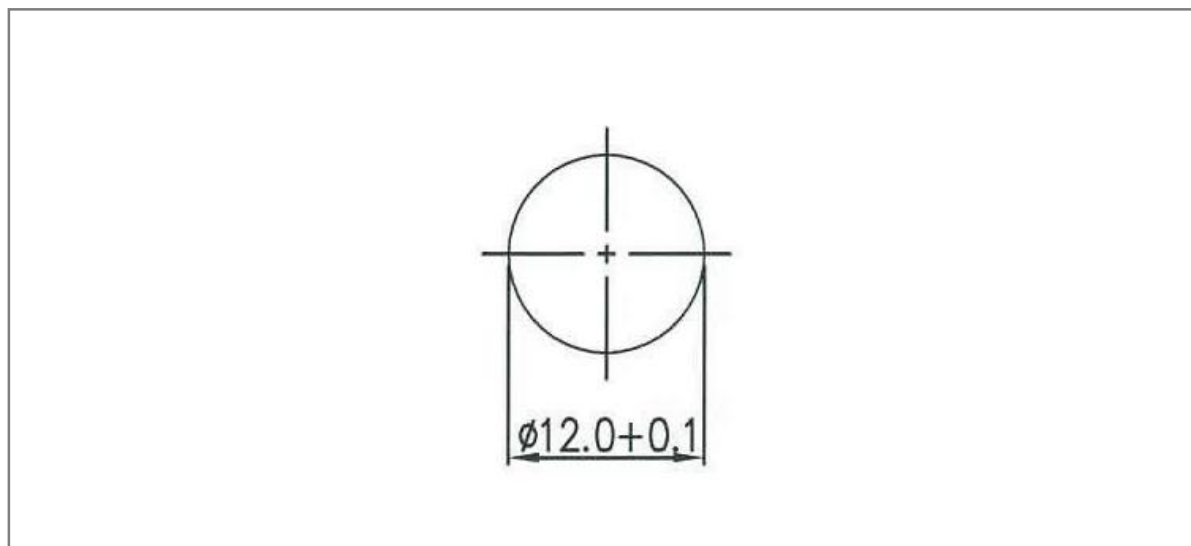


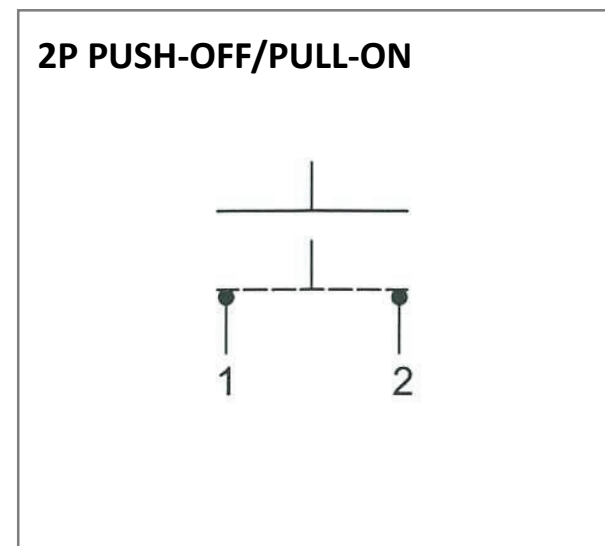
**Mechanical Dimensions (mm)**



**Mounting Hole**



**Circuit Diagram**



**Electrical Specifications**

<b>Rating</b>	75A,6-28V DC
<b>Contact Resistance</b>	50m ohm Max.
<b>Insulation Resistance</b>	DC 500V 100M ohm Min.
<b>Dielectric Strength</b>	AC 500V 1 minute
<b>Operation Temperature</b>	-25°C ~ 85°C

**Material Specifications**

<b>Frame</b>	Nickel plated, Zn alloy
<b>Actuator</b>	Black plated, Zn alloy
<b>Terminals</b>	Copper alloy.#8-32UNC