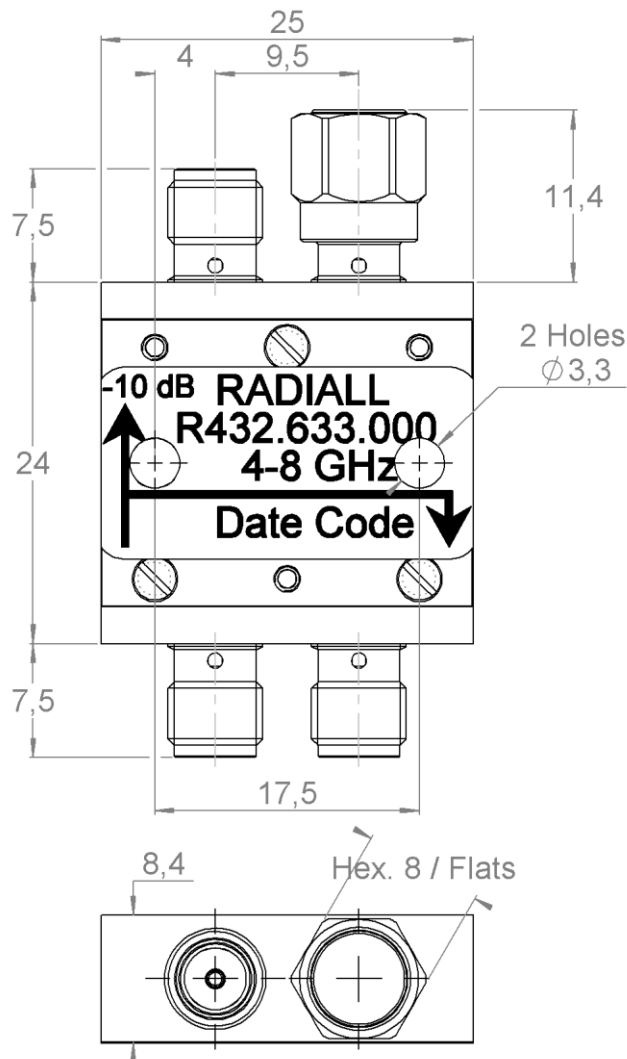


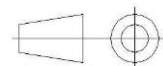
PAGE 1/2	ISSUE 05-12-19R	SERIES COUPLER	PART NUMBER R432633000
----------	-----------------	--------------------------	-------------------------------

Scale 2 : 1



All dimensions are in mm. Tolerances according ISO 2768 m-H

Weight **19,4300** g
Specification



PAGE 2/2	ISSUE 05-12-19R	SERIES COUPLER	PART NUMBER R432633000
----------	------------------------	--------------------------	-------------------------------

ELECTRICAL CHARACTERISTICS

Frequency operating range :	4 – 8 GHz
Impedance :	50 Ω
VSWR : - Main Line	1.20 max.
- Coupled Line	1.20 max.
Nominal Coupling :	10 dB
Coupling Precision :	± 0.3 dB
Insertion Loss :	1 dB max.
Directivity :	17 dB mini
Frequency Sensitivity :	± 0.8 dB
Average Power at 25°C	50W
Peak Power at 25°C	3000W

MECHANICAL CHARACTERISTICS

Connector type :	SMA female per MIL-C 39012
Coaxial Termination :	SMA, 50 Ω, 1W

ENVIRONMENTAL CHARACTERISTICS

Operating temperature :	-25°C / +70°C
Storage temperature :	-25°C / +70°C