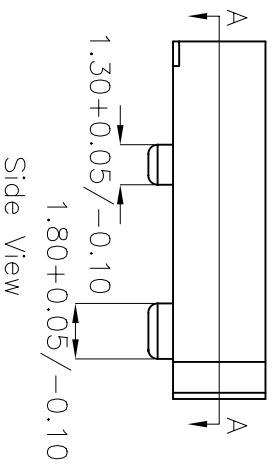
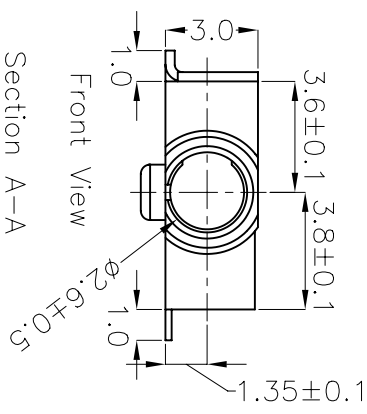


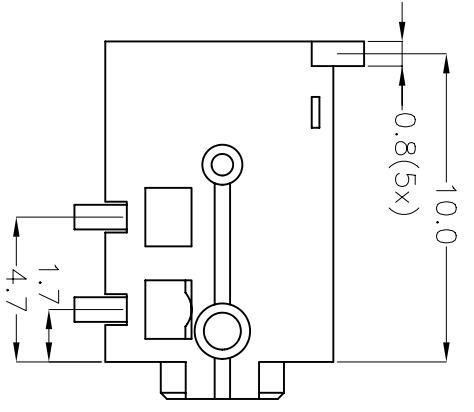
PCB Pad Layout  
Top View



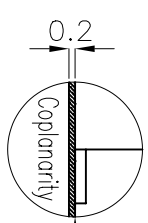
Side View



Section A-A  
Front View

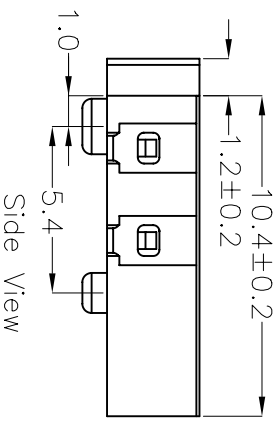


Bottom View

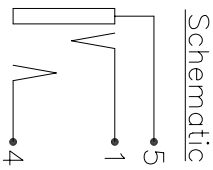


Mounting Surface  
Coplanarity

- Specifications:
1. Rated Voltage – 16 VDC
  2. Rated Current – 300 mA
  3. Contact Resistance – 100 mOHMS or less under all conditions, including After Life Testing.
  4. Insulation Resistance – 100 MOHMS or greater at 250 VDC.
  5. Dielectric Withstand Voltage – 250 VAC RMS for 1 minute.



Side View



Schematic

Term	Material	Color	Plating	Remark
Plastic Housing <P1>	Polyamide	Black		UL94V-0 Rated
Ring Contact <M1>	Ti-Cu Alloy		Gold Flash	20T
Tip Contact <M4>	Ti-Cu Alloy		Gold Flash	20T
Ground <M5>	Ti-Cu Alloy		Gold Flash	20T



9615 SW Allen, Suite 103  
Beaverton, OR 97005  
Phone: (503) 643-4899  
800-275-4899  
Fax: (503) 643-6129  
Website: [www.cuistack.com](http://www.cuistack.com)

2.5 $\phi$  Surface Mount Jack – Stereo