


<b>PROPRIETARY INFORMATION:</b> PROPRIETARY OF GLOBTEK, INC. ANY REPRODUCTION, DISCLOSURE OR USE OF THIS DRAWING, IN WHOLE OR IN PART, IS HEREBY PROHIBITED EXCEPT AS SPECIFIED IN WRITING BY GLOBTEK, INC.	REVISION			
	REV	DESCRIPTION	DATE	APPROVED
	A	INITIAL RELEASE	03/03/03	PM

**1. NOTES:**

DIMENSIONS ARE IN MM UNLESS SPECIFIED OTHERWISE.

**2. ELECTRICAL SPECIFICATIONS:**

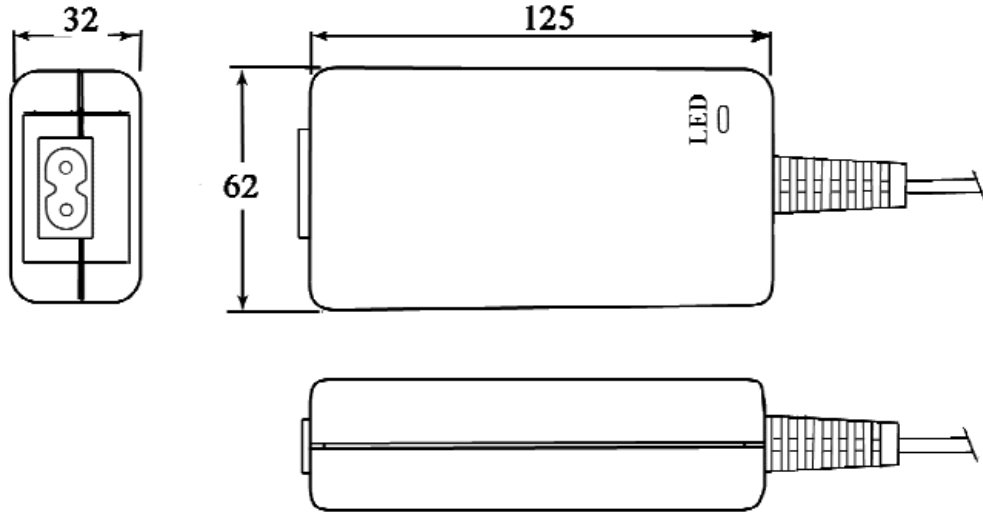
INPUT VOLTAGE: 90 VAC TO 264 VAC  
 INPUT CURRENT: < 1.6 A RMS AT 90 VAC INPUT  
 INPUT FREQUENCY: 47 HZ - 63 HZ  
 OUTPUT VOLTAGE / CURRENT: + 28 VDC AT 0 - 2.1 A  
 OUTPUT CURRENT : NO LOAD TO FULL LOAD, NO MINIMUM LOAD REQUIRED  
 OUTPUT POWER (RATED): 60 WATTS MAX  
 OUTPUT RIPPLE (PEAK TO PEAK): LESSOR OF 1% OR 100mV  
 OUTPUT REGULATION (LINE/LOAD): ± 5 % FOR MAIN OUTPUT, MEASURED AT O/P CONNECTOR  
 LINE REGULATION: ± 0.1 % TYPICAL  
 ADJUSTABILITY: FACTORY SET  
 TURN ON/ TURN OFF OVERSHOOT: 4% MAX 500uS MAX RECOVERY TIME FOR 25% STEP LOAD  
 TURN-ON DELAY: 1 SEC MAX  
 HOLD-UP TIME: 16 mSEC MIN AT NOMINAL INPUT AND FULL LOAD  
 INRUSH CURRENT: 20 A MAX AT COLD START FOR N.A. (40A FOR EURO)  
 EFFICIENCY: 85 % TYPICAL  
 SWITCHING FREQUENCY: 100 KHZ TYPICAL  
 OVER-VOLTAGE PROTECTION: VOLTAGE LIMITED LESS 130% OF NOMINAL VOLTAGE  
 OVER-CURRENT / SHORT CIRCUIT: HICCUP WITH AUTO RECOVERY TO 1.1 - 1.3 I<sub>o</sub>  
 OTHER PROTECTION: INPUT FUSING  
  
 SAFETY APPROVALS (PENDING): UL 2601, CUL TO 22.2 # 601, VDE TO EN60601-1, CE, CLASS II  
  
 DIELECTRIC WITHSTAND VOLTAGE: 4000VAC PRIMARY-SECONDARY  
 LEAKAGE CURRENT: < 0.1 mA  
 LINE SURGE: EN 61000-4-5 LEVEL 4  
 EMI: COMPLIES WITH EN55022, EN55011 CLASS B AND FCC PART 15 CLASS B WHEN TESTED WITH A RESISTIVE LOAD, BOTH CONDUCTED AND RADIATED  
  
 CE MARK : TESTED TO COMPLY WITH EN61000-3-2, EN61000-3-3 AND EN50082-1 INCLUDING EN61000-4-2, EN61000-4-3, EN61000-4-4, EN61000-4-5, EN61000-4-6, EN61000-4-11 LEVEL 4, UNIT IS ELIGIBLE FOR CE MARK.  
  
 MTBF: GREATER THAN 50,000 HOURS AT 25°C AMBIENT TEMPERATURE  
 OPERATING TEMPERATURE: 0°C TO 70 C DERATE LINEARLY FROM 100% AT 40°C TO 50% AT 70°C  
 STORAGE TEMPERATURE: -40°C TO 80° C  
 HUMIDITY: 0% TO 90% RELATIVE HUMIDITY

DASH NO.	PART NO	REV.	DESCRIPTION	NOTES
<b>TABULATION BLOCK</b>				
REVISION	A	A	A	
SHEET	1	2	3	
INIT.BY: BS	DATE:	TOLERANCES:		 <b>GlobTek, Inc.</b> 186 Veterans Dr. Northvale, NJ 07647 Tel. 201-784-1000 Fax 201.784.0111 www.globtek.com
	03/03/03	DECIMALS	ANGULAR	
		.xx +/- 0.1	+/- 1'	DWG TITLE: SWITCHING POWER SUPPLY, 60 WATT , 28VDC@ 2.1A DESKTOP, UNIVERSAL INPUT, MEDICAL, CLASS II
		.xxx +/- .005		
		MILLIMETERS	ANGULAR	MODEL NO: GT-500160-30-2.0-T2
		.xx +/- 0.3	+/- 1'	
		.xxx +/- .013		REV. A
DRAWN: NF	DATE:	FSCN No.:	SIZE	PART NO: TR9KR2100LNP-R-MED
	03/03/03	G, N	A	
CH/AP: PM	DATE:	SCALE: NONE		SHEET 1 OF 3
	03/03/03			

<b>PROPRIETARY INFORMATION:</b> PROPRIETARY OF GLOBTEK, INC. ANY REPRODUCTION, DISCLOSURE OR USE OF THIS DRAWING, IN WHOLE OR IN PART, IS HEREBY PROHIBITED EXCEPT AS SPECIFIED IN WRITING BY GLOBTEK, INC.	REVISION			
	REV	DESCRIPTION	DATE	APPROVED
	A	INITIAL RELEASE	03/0303	PM

**3. ENCLOSURE**

UPPER HOUSING: HIGH IMPACT PLASTIC, 94V0 POLYCARBONATE, NON-VENTED, COLOR BLACK  
 LOWER HOUSING: HIGH IMPACT PLASTIC 94V0 POLYCARBONATE, NON- VENTED, COLOR BLACK  
 SIZE: 125 X 62 X 32 ± 1 mm



**4. INDICATOR:** GREEN LED, OUTPUT PRESENT

**5. INPUT CONNECTOR:**

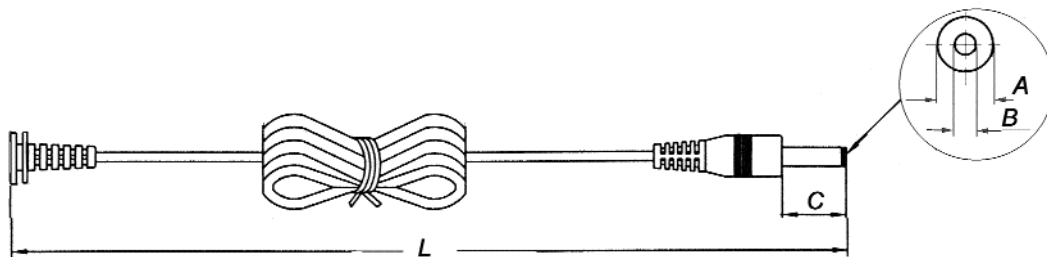
CONFIGURATION: CLASS II MODEL IEC320 / C8, AC POWER RECEPTACLE WITH 2 MALE PRONGS

**6. OUTPUT CORD:**

STANDARD, 2 CONDUCTOR, 18 AWG STRANDED WIRE, FLAT UL VW-1 RATED SPT-1 CORD TYPE, COLOR BLACK , LENGTH OF CORD: 1830 ± 50mm. CORD IS MEASURED FROM THE HOUSING TO THE END OF OVERMOLD OF THE CONNECTOR. CABLE IS TO BE MARKED WITH WIRE GAUGE, AND ALL APPLICABLE RATING AND SAFETY APPROVALS.

**7. OUTPUT CONNECTOR:**

STANDARD, STRAIGHT FEMALE BARREL IS 5.5 x 2.5 x 11 mm WITH CENTER NEGATIVE:



A = 5.5 mm  
 B = 2.5 mm  
 C = 11 mm

L = 1830 ± 50

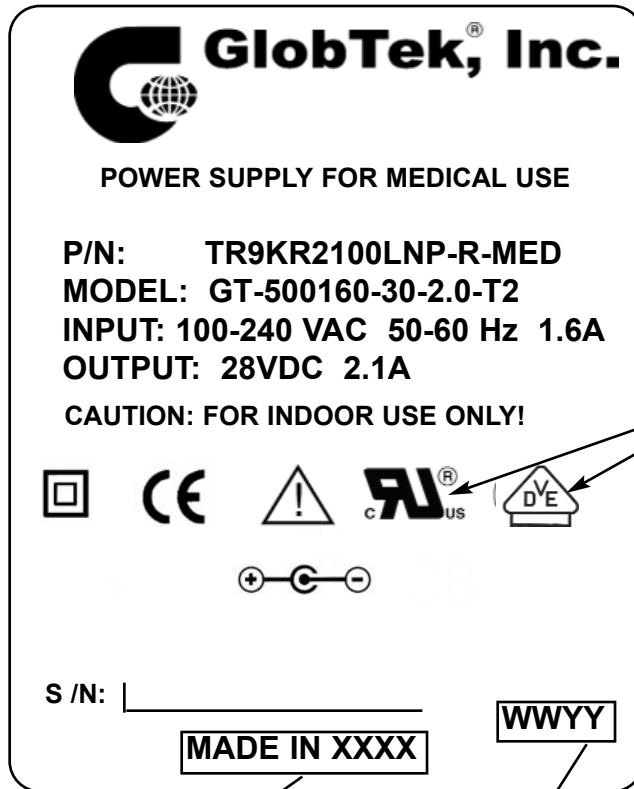
<b>GlobTek, Inc.</b> 186 Veterans Dr. Northvale, NJ 07647 Tel. 201-784-1000 Fax 201.784.0111	
DWG TITLE: SWITCHING POWER SUPPLY, 60 WATT , 28VDC@ 2.1A DESKTOP, UNIVERSAL INPUT, MEDICAL, CLASS II	
MODEL NO: GT-500160-30-2.0-T2	REV. A
PART NO: TR9KR2100LNP-R-MED	SHEET 2 OF 3

<b>PROPRIETARY INFORMATION:</b> PROPRIETARY OF GLOBTEK, INC. ANY REPRODUCTION, DISCLOSURE OR USE OF THIS DRAWING, IN WHOLE OR IN PART, IS HEREBY PROHIBITED EXCEPT AS SPECIFIED IN WRITING BY GLOBTEK, INC.	REVISION			
	REV	DESCRIPTION	DATE	APPROVED
	A	INITIAL RELEASE	03/03/03	PM

**8. LABEL:**

MATERIAL: .007 (0.18) THICK FLAT THERMAL TRANSFER, IMPRINTABLE, WHITE OR GRAY POLYESTER SHEET WITH BLACK NOMENCLATURE.

MANUFACTURER: STEVEN LABEL, MATERIAL I.D. NO.3302-33, UL FILE NO. MH12821(N), UL MATERIAL DESIGNATION FILE NO. GHW332RL. OPTIONAL LABEL MATERIAL CAN BE SUBSTITUTED PROVIDING MATERIAL IS UL LISTED AND COMPLIES WITH APPLICABLE SAFETY REQUIREMENTS.



LOGO'S PENDING

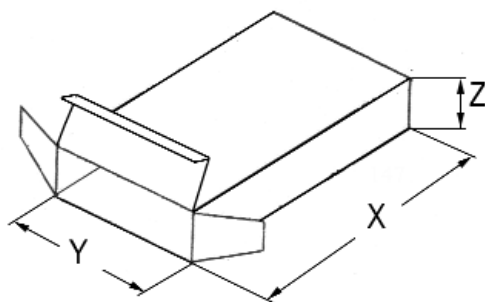
XXXX - USA OR CHINA

DATE CODE  
 WW - WEEK  
 YY - YEAR

**9. INDIVIDUAL PACKING BOX:**

MATERIAL: CORRUGATED FIBERBOARD, F-FLUTE 0.8 (2.0) THICK, DOUBLE WALL CONSTRUCTION.


EXTERNAL FINISH: WHITE, COATED WITH GLOSS FINISH (AQUEOUS OR VARNISH) STYLE: TUCK SIDES WITH LOCKING TABS ON BOTH SIDES OF BOX. NO PRINTING ON THE OUTSIDE OF BOX.



X = 184 mm

Y = 117 mm

Z = 50 mm

 <b>GlobTek, Inc.</b> 186 Veterans Dr. Northvale, NJ 07647 Tel. 201-784-1000 Fax 201.784.0111	
DWG TITLE: SWITCHING POWER SUPPLY, 60 WATT , 28VDC@ 2.1A DESKTOP, UNIVERSAL INPUT, MEDICAL, CLASS II	
MODEL NO: GT-500160-30-2.0-T2	REV. A
PART NO: TR9KR2100LNP-R-MED	SHEET 3 OF 3