

REVISION CT

DO NOT SCALE FROM THIS PRINT

UNLESS OTHERWISE NOTED TOLERANCES ARE:  
 DIMENSIONS ARE IN INCHES  
 ONE PLACE DECIMALS ±.1 [2.5mm] THREE PLACE DECIMALS ±.005 [0.13mm]  
 TWO PLACE DECIMALS ±.00 [0.25mm] FOUR PLACE DECIMALS ±.0020 [0.05mm]  
 ANGLES ± 2°  
 TITLE: HIGH TEMP 2MM SMT BOARD STACKING TERMINAL STRIP ASM  
 DWG NO: TW-XX-XX-XXX-X-XXX-SM-XXX-XX  
 SHEET 1 OF 3

TABLE 1

LEAD STYLE	TERMINAL	MAX "A" (".8" IS .000 [.00] MIN)	"C" OVERALL PIN LENGTH
-02	T-1S13-02-XXX-2	.309 [7.85]	.377 [9.6]
-03	T-1S13-03-XXX-2	.467 [11.86]	.535 [13.6]
-04	T-1S13-06-XXX-2	.487 [12.37]	.555 [14.1]
-06	T-1S13-10-XXX-2	.605 [15.37]	.673 [17.1]
-07	T-1S13-11-XXX-2	.683 [17.35]	.751 [19.1]
-09	T-1S13-13-XXX-2	.388 [9.86]	.456 [11.6]

NOTES:

- MAX. PIN ROTATION IN BODY: 2°
- PUSHOUT FORCE SHALL BE 1 lb MIN.
- Ⓢ REPRESENTS A CRITICAL DIMENSION
- ALL DIMENSIONS IN BRACKETS [ ] TO BE MILLIMETERS.
- HEIGHT VARIATION BETWEEN ANY TWO PINS SHALL BE .010 MAX
- TUBE POSITIONS -04 THROUGH -36 ONLY; BULK PACKAGE -02 & -03. TUBE PLUG MUST BE ALLIGNED WITH INSULATOR. (SEE DETAIL ON PAGE 2)
- MOLDED OR STAKED ALIGNMENT PIN AT SAMTEC'S DISCRETION.
- SPACE OPTION FROM .170 TO .209 REQUIRES AN ADDITIONAL REPRESS.
- NOTE DELETED.
- M OPTION AVAILABLE ON -D ROW ONLY. -M OPTION AVAILABLE ON POSITIONS 4-36 ONLY. -P OPTION AVAILABLE ON 4-36 POSITION ONLY.
- DUE TO THE HIGH AMOUNT OF INSERTION FORCE NEEDED, THE -LC OPTION IS NOT COMPATIBLE WITH AUTO PLACEMENT. SAMTEC RECOMMENDS MANUAL PLACEMENT FOR ALL ASSEMBLIES WITH THE -LC OPTION.
- S-A FOR EXISTING BUSINESS ONLY, NEW DESIGNS WILL BE AN ASP.
- MAX CUT FLASH: .020 [0.51]

TW-XX-XX-XXX-X-XXX-SM-XXX-XX  
 No. OF POSITIONS EXPRESSED IN # OF POS (-02 THRU -36)  
 "XX" = No OF POS x .07874 [2.00]  
 LEAD STYLE (SEE TABLE 1)  
 PLATING  
 -G: 20μ" GOLD IN CONTACT AREA, 3μ" GOLD ON TAIL (USE T-1S13-XX-G-2)  
 -T: MATTE TIN CONTACT AND TAIL (USE T-1S13-XX-T-2)  
 -S: 30μ" GOLD IN CONTACT AREA, MATTE TIN ON TAIL (USE T-1S13-XX-S-2)  
 -E: 50μ" GOLD IN CONTACT AREA, 3μ" GOLD ON TAIL (USE T-1S13-XX-E-2)  
 -L: 10μ" GOLD IN CONTACT AREA, MATTE TIN ON TAIL (USE T-1S13-XX-L-2)  
 -F: 3μ" GOLD IN CONTACT AREA, MATTE TIN ON TAIL (USE T-1S13-XX-F-2)  
 -P: 2μ"- 5μ" GOLD IN CONTACT AREA, MATTE TIN ON TAIL (USE T-1S13-XX-P-2)  
 -TL: TIN/LEAD (90%/10 +/-5%) CONTACT AND TAIL (USE T-1S13-XX-TL-2)  
 -STL: 30μ" GOLD IN CONTACT AREA, TIN/LEAD (90%/10 +/-5%) TAIL  
 -LTL: 10μ" GOLD IN CONTACT AREA, (90%/10 +/-5%) TAIL (USE T-1S13-XX-LTL-2)  
 -H: 30μ" GOLD IN CONTACT AREA, 3μ" GOLD ON TAIL (USE T-1S13-XX-H-2)  
 -SM: 30μ" GOLD IN CONTACT AREA, MATTE TIN ON TAIL (USE T-1S13-XX-S-2)  
 -TM: MATTE TIN CONTACT AND TAIL (USE T-1S13-XX-T-2)  
 -LM: 10μ" GOLD IN CONTACT AREA, MATTE TIN ON TAIL (USE T-1S13-XX-L-2)  
 -FM: 3μ" GOLD IN CONTACT AREA, MATTE TIN ON TAIL (USE T-1S13-XX-F-2)

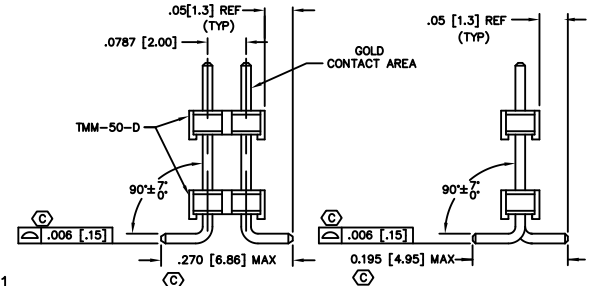
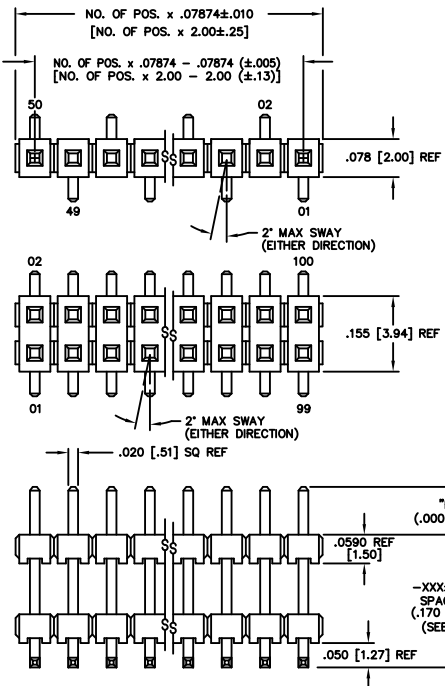
OPTION 1  
 -LC: LOCKING CLIP (SEE FIG 2, SHEET 2)(SEE NOTE 11)  
 (-D ROW: USE 2TS-XX-D)  
 (-S ROW: USE 2TS-XX-SV)  
 (.190 MIN BOARD SPACE)  
 \*-A: MOLDED ALIGNMENT PIN (SEE FIG 3, SHEET 2 & NOTE 7)  
 (2 POSITIONS WILL ONLY HAVE ONE ALIGNMENT PIN)  
 (-D ROW: USE 2TS-XX-DV-A)  
 \*(-S ROW: USE 2TS-XX-SV-A)  
 (\*=SEE NOTE 12)  
 (BOTTOM BODY ONLY, USE TMM-50-X FOR TOP)  
 STAKED ALIGNMENT PIN (SEE FIG 4, SHEET 2 & NOTE 7)  
 (-D ROW ONLY: USE TMM-50-D, 4 POS MIN)  
 (.190 MIN BOARD SPACE FOR BOTH )  
 -P: PICK & PLACE PAD (SEE NOTE 10)  
 (-D ROW: USE PPP-10)  
 (-S ROW: USE PPP-11)  
 NOTE: "B" = .075 [1.91] MIN FOR THIS OPTION (SEE FIG 6)  
 -M: PICK & PLACE PAD (SEE NOTE 10)  
 (-D ROW: USE PPP-10)  
 NOTE: "B" MUST BE .075 OR GREATER FOR THIS OPTION. (SEE FIG 5)  
 -TR: TAPE AND REEL PACKAGING  
 (-07 LEAD STYLE NOT AVAILABLE IN T & R)  
 (SEE SHEET 3 FOR -S-TR OPTION ORIENTATION VIEW)  
 (.475 MAX "A" WHEN COMBINED WITH -P OPTION)

OPTION 2  
 -XXX: POLARIZED POSITION (SPECIFY OMITTED PIN)  
 SURFACE MOUNT  
 SPACE OPTION (SEE NOTE 8)  
 XXX="A" (SEE TABLE 1, .170 [4.32] MIN)

ROW OPTION  
 -S: SINGLE ROW (USE TMM-50-S)  
 -D: DOUBLE ROW (USE TMM-50-D)

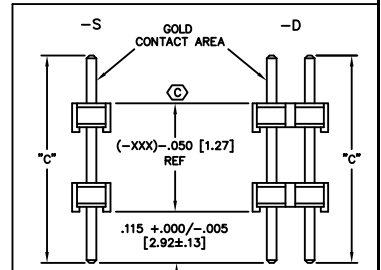
TABLE 2 (SEE NOTE 6)

LEAD STYLE	OPTIONS	TUBE	PLUGS
-02, -04, -07, -09	-D, -D-LC, -D-A	PT-TW001-D-SM	TP-38
-03	-D, -D-LC, -D-A	PT-TW001-D-SM	TP-38
ALL	-S, -S-LC, -S-A	PT-TW002-S-SM	TP-12
-02-09	-D-A-P, -D-LC-P, -D-P, -D-LC-M, -D-A-M, -D-M	PT-TW001-D-SM	TP-38
-03-04	-D-A-P, -D-LC-P, -D-P, -D-LC-M, -D-A-M, -D-M	PT-TW001-D-SM	TP-38
-07	-D-A-P, -D-LC-P, -D-P, -D-LC-M, -D-A-M, -D-M	PT-TW001-D-SM	TP-38
-02-09	-S-LC-P, *-S-A-P	PT-TW002-S-SM	TP-12
-03-04	-S-LC-P, *-S-A-P, -S-P	PT-TW002-S-SM	TP-12
-07	-S-LC-P, *-S-A-P, -S-P	PT-TW002-S-SM	TP-12
-08	-D-LC	PT-TW001-D-SM	TP-38
-06	NONE, -A, -D	PT-TW001-D-SM	TP-38
-06	-D-A-P, -D-LC-P, -D-P, -D-LC-M, -D-A-M	PT-TW001-D-SM	TP-38
-06	-S-LC-P, -S-A-P, -S-P	PT-TW002-S-SM	TP-12
-06	-D-M	PT-1-24-16-29	TP-38



(\* = SEE NOTE 12)

PATENT NUMBERS  
 5713755 / 5961339



PROPRIETARY NOTE:  
 THE INFORMATION CONTAINED HEREIN IS THE PROPERTY OF SAMTEC CORPORATION. ALL RIGHTS ARE RESERVED. NO PART OF THIS DOCUMENT MAY BE REPRODUCED OR TRANSMITTED IN ANY FORM OR BY ANY MEANS, ELECTRONIC OR MECHANICAL, INCLUDING PHOTOCOPYING, RECORDING, OR BY ANY INFORMATION STORAGE AND RETRIEVAL SYSTEM, WITHOUT THE EXPRESS WRITTEN CONSENT OF SAMTEC, INC.

MATERIAL:  
 INSULATOR: LIQUID CRYSTAL POLYMER  
 COLOR: BLACK  
 TERMINALS: PHOSPHOR BRONZE

IN-PROCESS  
 samtec  
 520 PARK EAST BLVD. NEW ALBANY, INDIANA 47150  
 PHONE (812) 944-8733 P.O. BOX 1147  
 CODE 55322  
 MADE BY: BRYANT 3-8-93 TW-XX-XX-XXX-X-XXX-SM-XXX-XX