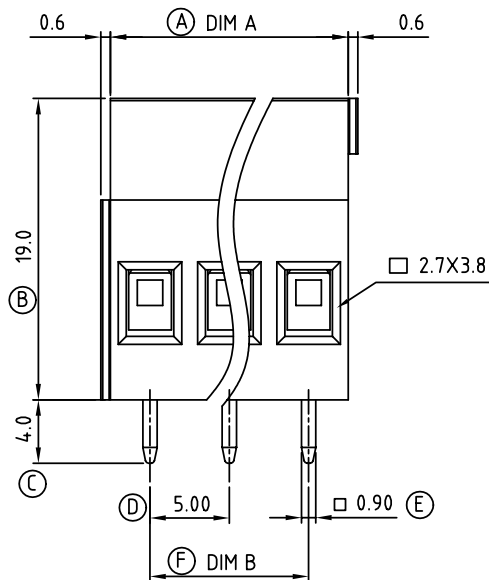


Dimension A&B

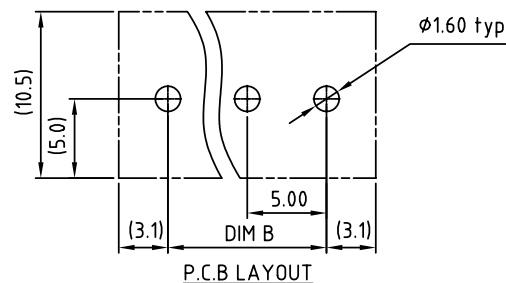
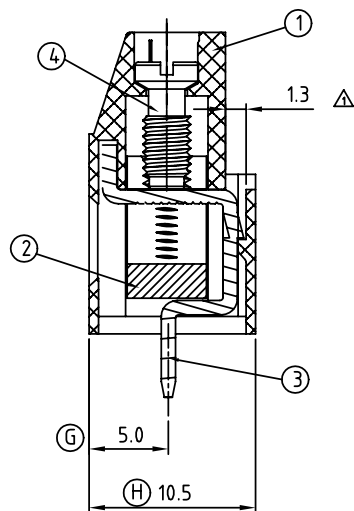
DIM A	Nx5.0
DIM B	(N-1)x5.0

N=Number of contacts

Poles	A&B Tolerance
2P-4P	±0.15
5P-8P	±0.25
9P-16P	±0.35
17P-24P	±0.40



N=Number of contacts



SIGN	DATE	DESCRIPTION	APPROVER
△	3/22'06	Hole size changed from 0.5mm to 1.3mm	Tony
△	01/12'07	Soldering temperature changed from 245° to 250°	Tason
△	01/12'07	Part NO is Changed	Tason
△	08/28'08	Construction is change	Seamus
△	09/01'08	Operating temperature changed from -30°C/+105°C to -40°C/+115°C	Seamus
△	11/09'10	Add is " VDE "	Aaron

THIS IS CAD DRAWING, DO NOT REVISE MANUALLY!!!

Material:

- Item 1 Terminal housing:Thermoplastic (UL 94V-0)
- Item 2 Clamp: Brass Ni plated
- Item 3 Wire guard solder pin:Brass Tin plated
- Item 4 Terminal screw: Steel Zinc plating"-slot type

- △ Electrical cULus / VDE
- Voltage rating : 300VAC / 450V
- Current rating : 20A / 24A
- Wire range : 0.2-2.5mm<sup>2</sup>
- Solid wire(AWG) : 12-30
- Stranded wire(AWG) : 12-30
- Torque : 3.5 Lb-In / 0.5 N.m
- Screw: M3
- Wire strip length: 6-7mm
- Withstanding Voltage: 1.6KV / 2.5KV
- △ ● Operating temperature: -40°C to +115°C
- △ ● Soldering temperature: 250°C±10°C/5 Sec
- Safety Approval:

△ VJ xx 01 x 2 xxxx G

- RoHS Pb<4,000ppm
- No. of poles end stackable design: 0 Black (RAL9005), 2 Red (RAL3001/D), 02 2 CONTACTS, 03 3 CONTACTS, ... 24 24 CONTACTS
- Color options: 3 Orange(RAL2011/P), 4 Yellow(RAL1018/A), 5 Green(RAL6018/T), 6 Blue (RAL5015/A), 8 Grey(RAL7035/D)
- 0000:"@"Logo (Standard)
- 000A:"ANYTEK"Logo
- Any special item by customer request, please contact sales department.

**ANYTEK**

**CUSTOMER COPY**

ALL RIGHTS RESERVED. REPRODUCTION OR ISSUE TO THRD PARTIES IN ANY FORM WHATEVER IS NOT PERMITTED WITHOUT WRITTEN AUTHORITY FROM THE PROPRIETOR. PROPERTY OF ANYTEK TECHNOLOGY CO., LTD

TITLE	VJ-5.0 Series 2P-24P Horizontal ( 180D wire inlet )-----Without cover						
PART NO.	VJxx01x2xxxxG			DWG NO.	8VJ0003		
APPROVED	CHECKED	DESIGNED	DRAWN	CUST NO.	Tolerance		
		Aaron 2010.11.09	Aaron 2009.09.09		X. ±0.50		
					UNIT:	mm	
					SCALE:	NONE	
SHEET: 01/01					REV:	F	
					X.X	±0.30	
					X.XX	±0.10	
					X°	±1°	