

2.50 ±0.25  
(SIGNAL TAILS)

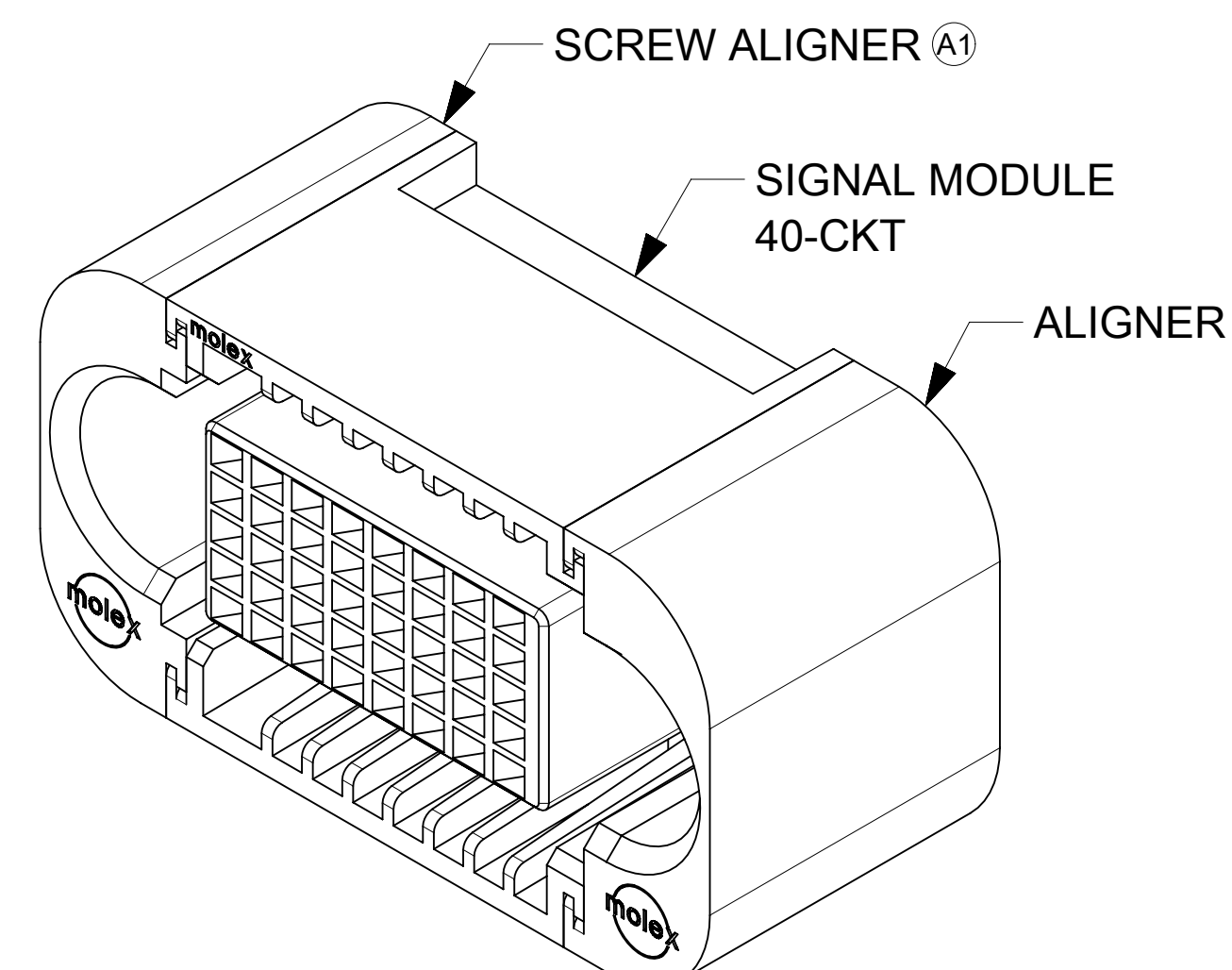
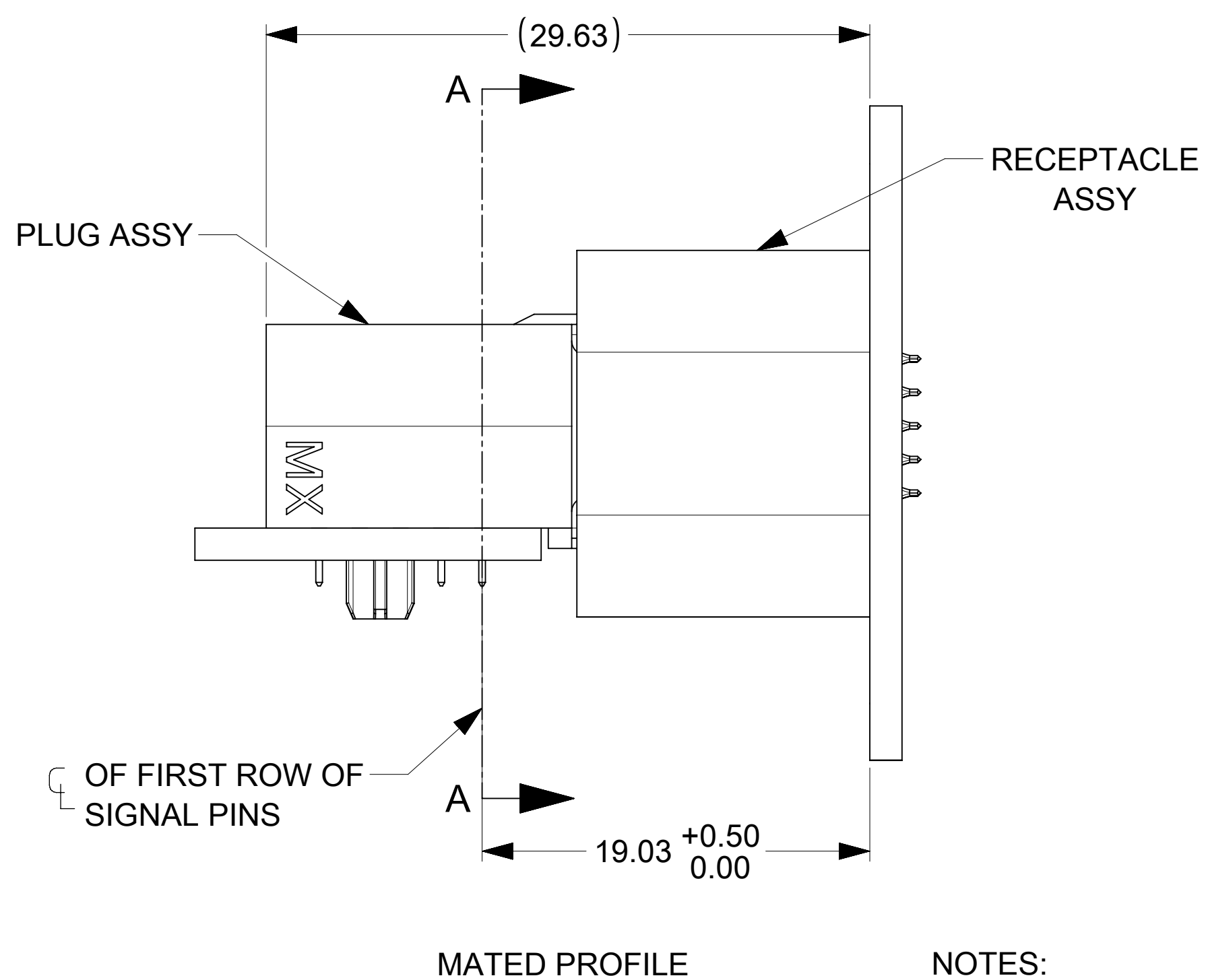
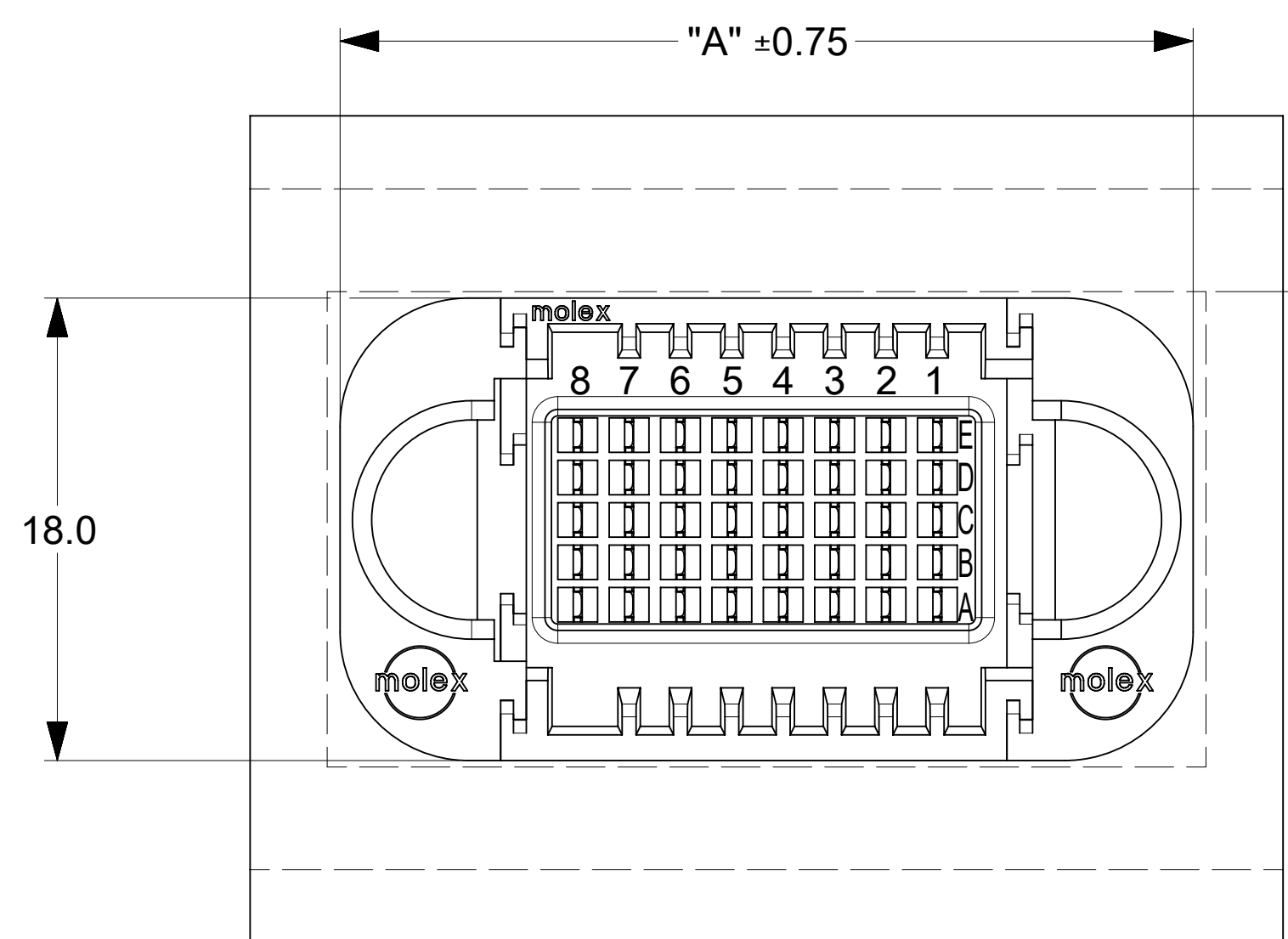
1.58 MIN  
(PCB THICKNESS)

14.4

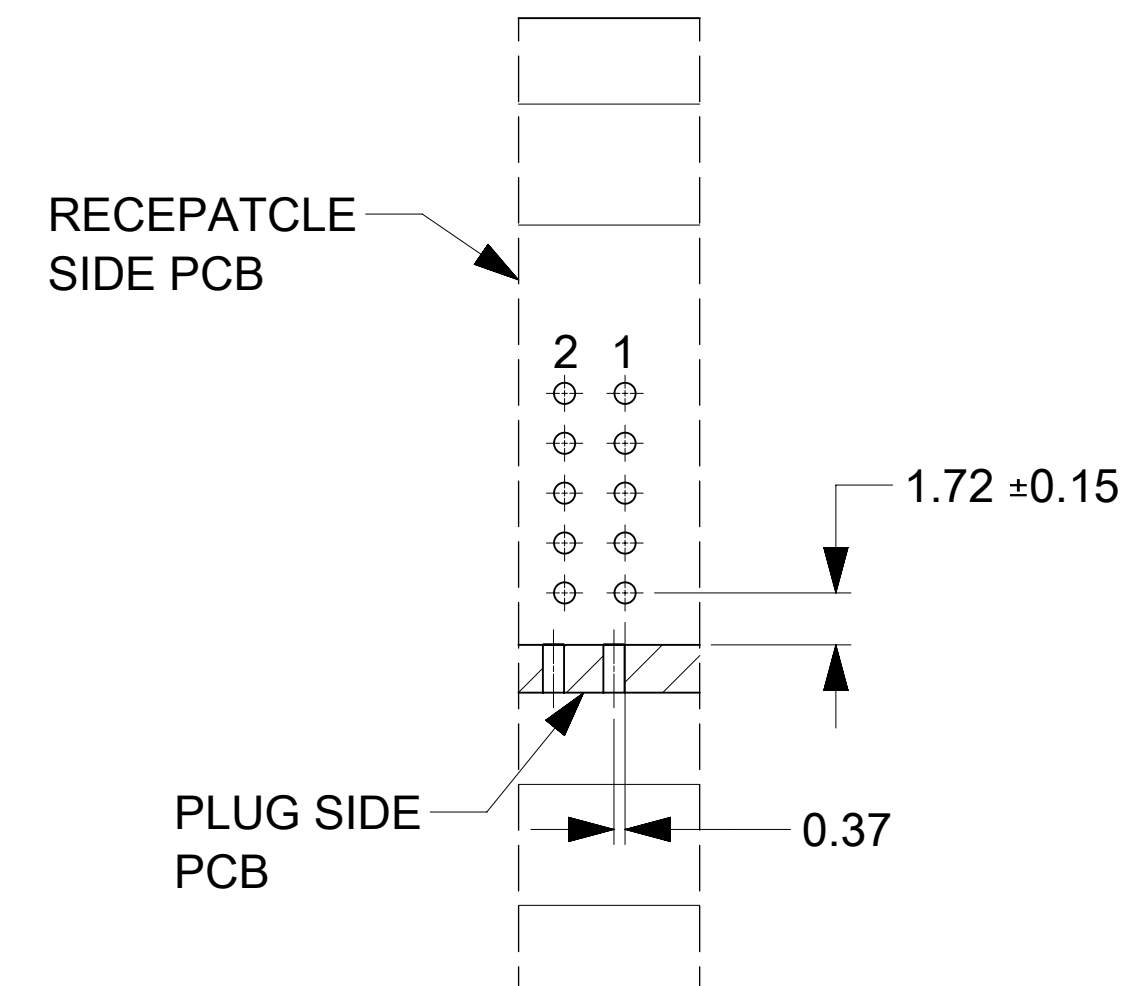
(13.38)  
SCREW HOLE DEPTH

ALLOW EXTRA SPACE  
4.00 MM PER SIDE  
(REQUIRED FOR RE-WORK PER AS-46436-100)

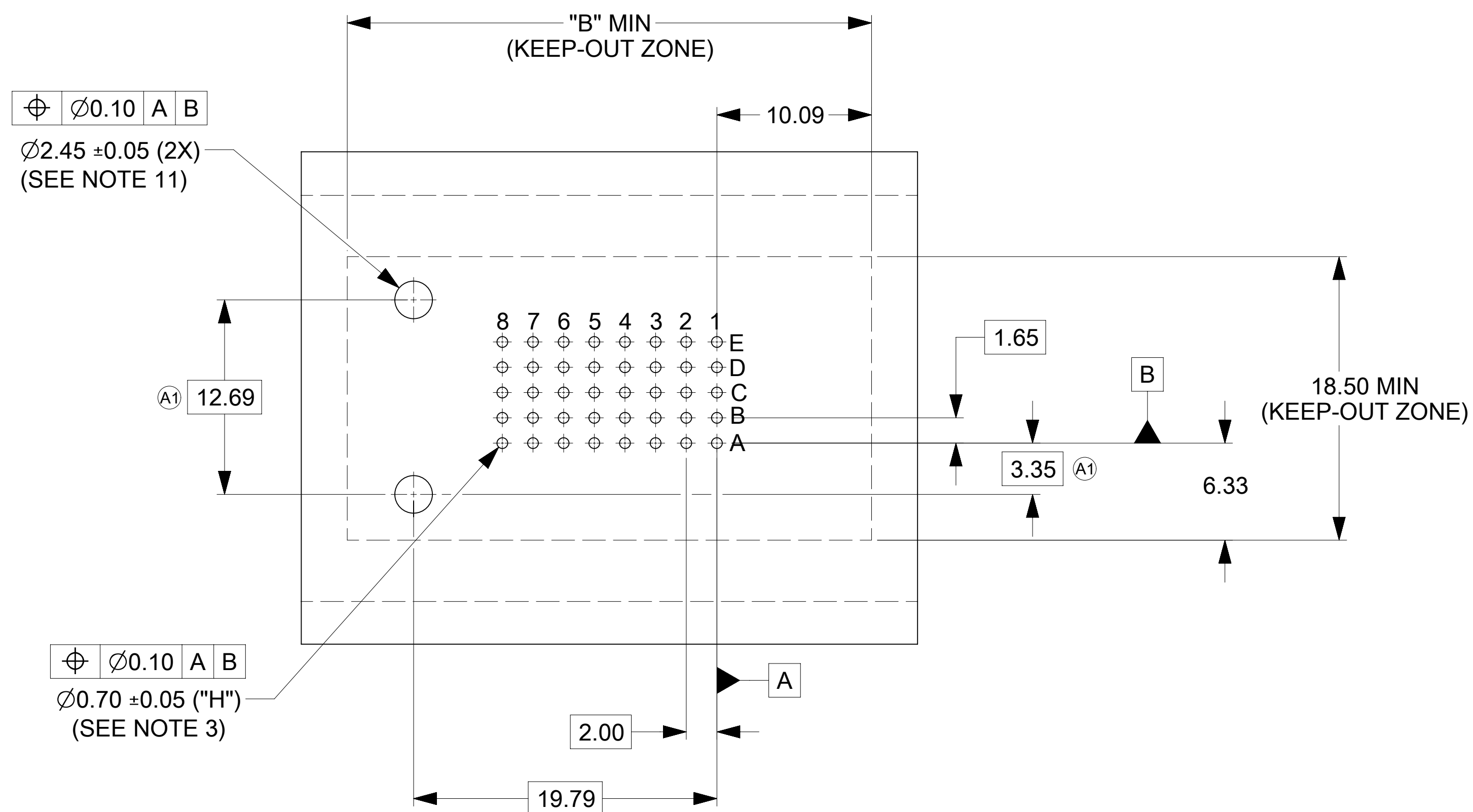
SECTION B-B (A1)



P/N: 46562-3133 (G-40S-G)



PARTIAL OF A-A  
(SIGNAL CKTS ARE ALIGNED)



RECOMMENDED PCB LAYOUT AND KEEP-OUT ZONE  
FOR G-(10S TO 40S)-G

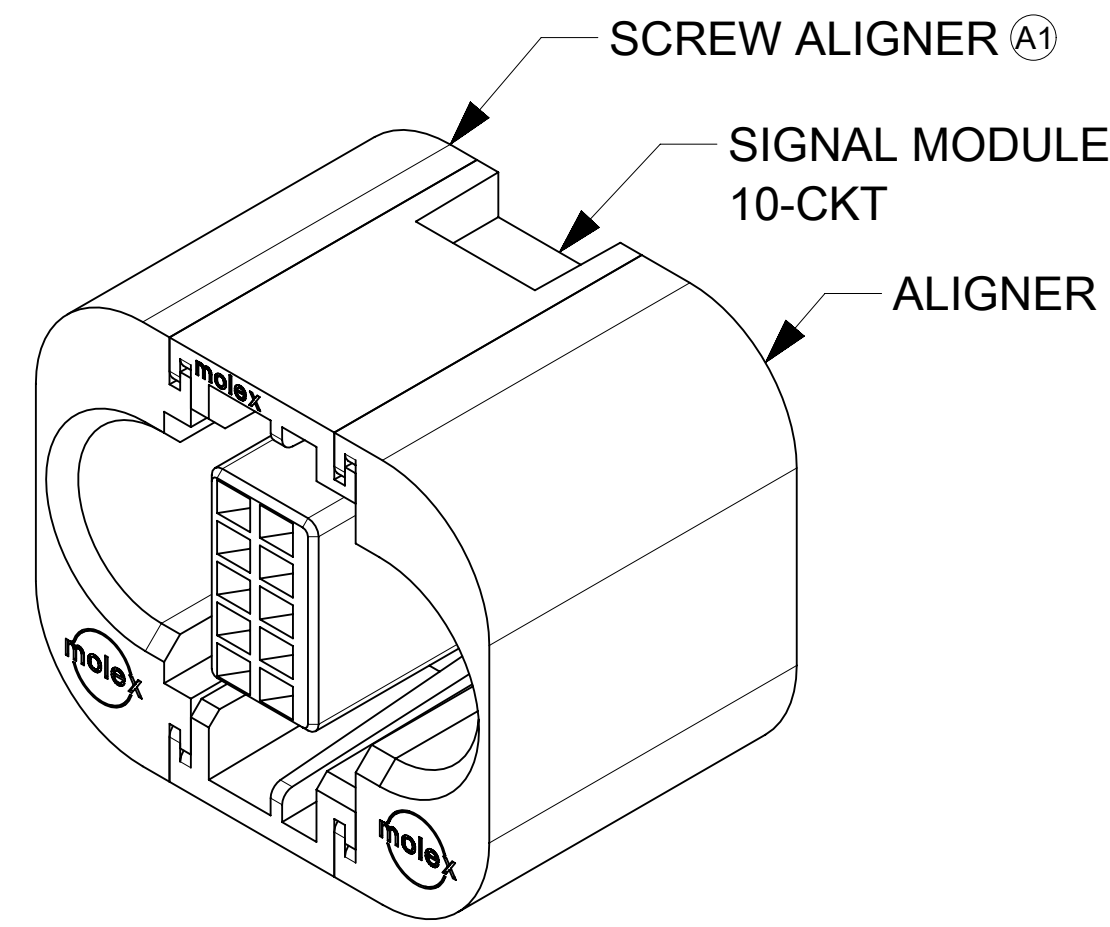
NOTES:

1. MATERIAL:
  - HOUSINGS: LCP UL94, V-0, COLOR: BLACK
  - TERMINALS: COPPER ALLOY
  - PLATING: 1.27 MICROMETER (50 MICROINCH) NICKEL OVERALL WITH 2.54 MICROMETER (100 MICROINCH) SELECTIVE TIN ON TAILS AND 0.762 MICROMETER (30 MICROINCH) SELECTIVE GOLD ON CONTACT AREA
2. PACKAGING: ASSEMBLIES TO BE TRAY PACKED PER PACKAGING SPEC: 465621001-PK
3. PLATED THRU HOLE SIZE, REFER TO PS-46436-100 FOR DETAILS
4. PRODUCT SPEC: PS-46436-100.
5. APPLICATION SPEC: AS-46436-100
6. PRODUCT TO MEET RoHS REQUIREMENTS
7. ASSEMBLY MATES TO MOLEX PLUG ASSEMBLY P/N 46437-\*\*\*\* (SEE TABLE IN SHEET 2).
8. TAIL DESIGN: COMPLIANT PIN
9. SIGNAL CONTACTS ARE LUBRICATED.
10. MOLEX LOGO TO BE LOCATED APPROXIMATELY AS SHOWN
11. FOR USE WITH 2-32 TYPE AB SELF THREADING SCREWS, SCREW LENGTH OF 9.50MM IS RECOMMENDED FOR 1.58MM THICK PCB MAX TORQUE IS 4IN-LBS

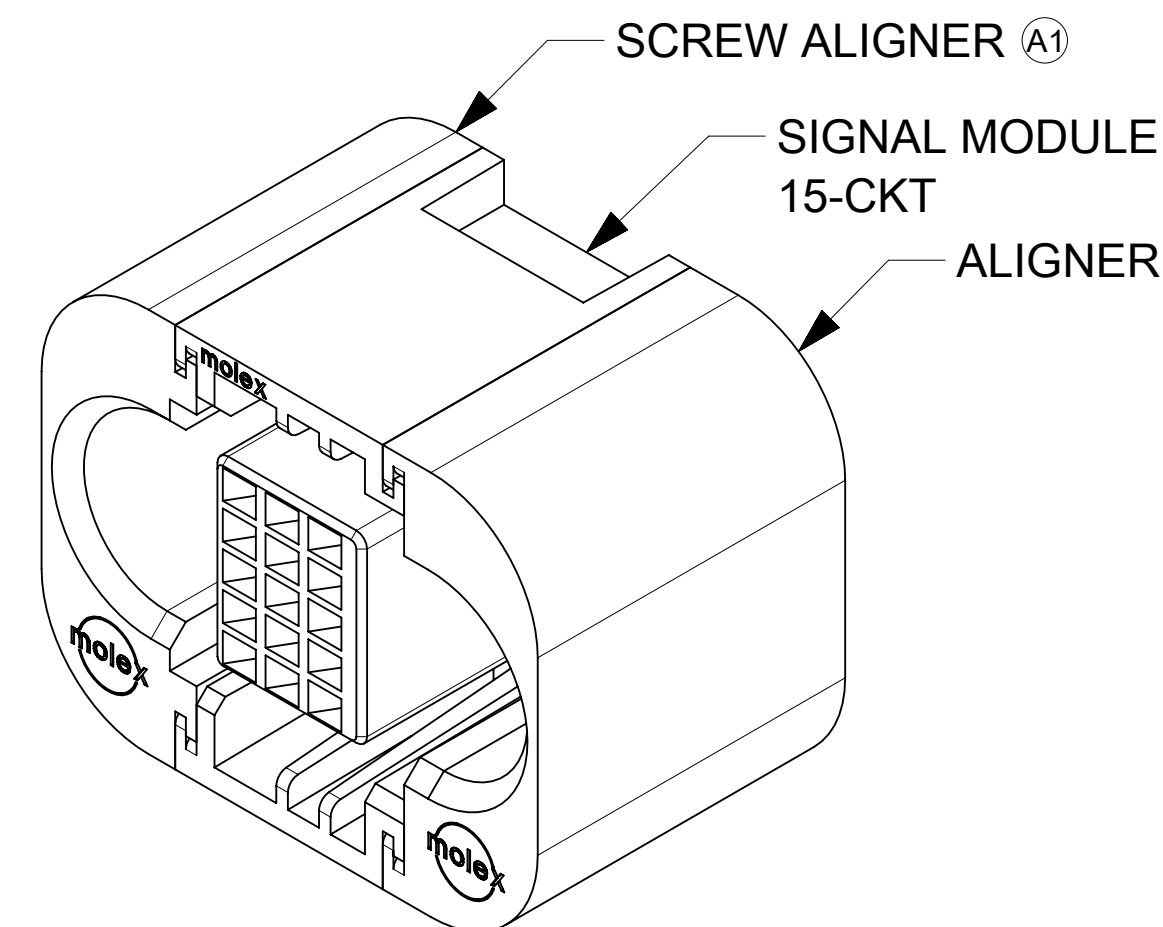
THIS DRAWING CONTAINS INFORMATION THAT IS PROPRIETARY TO MOLEX ELECTRONIC TECHNOLOGIES, LLC AND SHOULD NOT BE USED WITHOUT WRITTEN PERMISSION													
DIMENSION UNITS	SCALE	CURRENT REV DESC: REPLACED STANDARD ALIGNER WITH SCREW DOWN ALIGNER, UPDATED DIMENSIONS & ADDED SECTION VIEW B-B											
mm	4:1	<p>G-*S-G VERT RECEPTACLE ASSY - TEN60 POWER FAMILY</p> <p>PRODUCT CUSTOMER DRAWING</p>											
GENERAL TOLERANCES (UNLESS SPECIFIED)													
ANGULAR TOL	± 0.5°												
4 PLACES	±												
3 PLACES	±												
2 PLACES	± 0.13												
1 PLACE	± 0.25	EC NO: 729882	2022/08/11	<p>DRWN: ABHIRK</p> <p>CHK'D: BHAGAD</p> <p>APPR: HTHYAGARAJ</p> <p>INITIAL REVISION:</p> <p>DRWN: GJEEVANSURES</p> <p>APPR: HTHYAGARAJ</p>									
0 PLACES	±	2022/01/12	2022/02/22										
DRAFT WHERE APPLICABLE MUST REMAIN WITHIN DIMENSIONS		THIRD ANGLE PROJECTION	DRAWING							SERIES	MATERIAL NUMBER	CUSTOMER	SHEET NUMBER
			D-SIZE							46562	SEE TABLE	GENERAL MARKET	1 OF 2
DOCUMENT STATUS	P1	RELEASE DATE	2022/12/12	05:41:41	<p>DOCUMENT NUMBER: 465623127</p> <p>DOC TYPE: PSD</p> <p>DOC PART: 000</p> <p>REVISION: A1</p>								

REFER TO BELOW TABLE FOR DIMENSIONS.

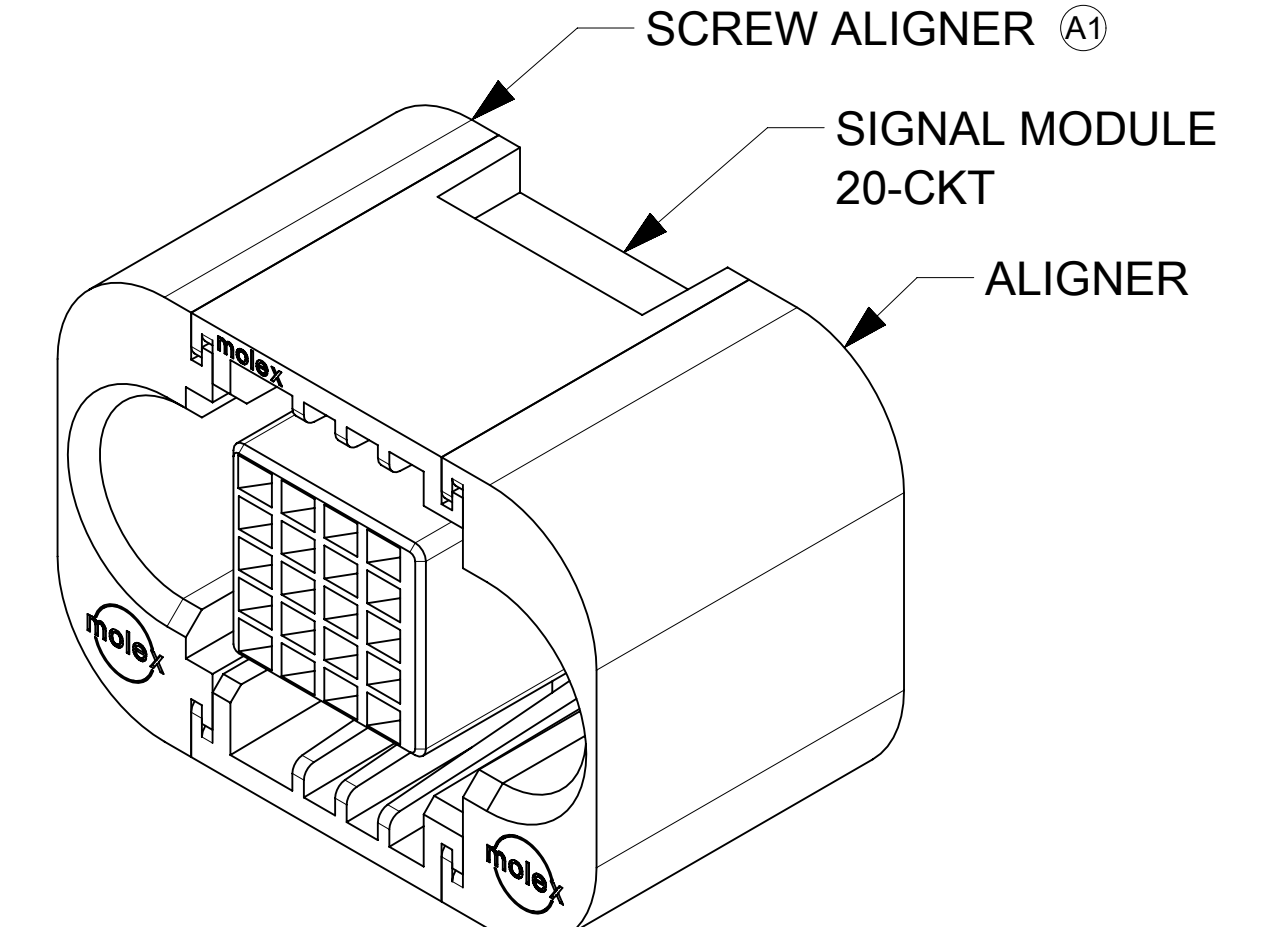
FG P/N	CONFIGURATION	SIGNAL CKT SIZE	DIM "A" (IN MM)	DIM "B" (IN MM) <sup>(A1)</sup>	HOLES COUNT "H"	MATES WITH R/A PLUG ASSY P/N - COMPLIANT PIN
46562-3127	G-10S-G	10	21.21	22.21	10	46437-3127
46562-3128	G-15S-G	15	23.21	24.21	15	46437-3128
46562-3129	G-20S-G	20	25.21	26.21	20	46437-3129
46562-3130	G-25S-G	25	27.21	28.21	25	46437-3130
46562-3131	G-30S-G	30	29.21	30.21	30	46437-3131
46562-3132	G-35S-G	35	31.21	32.21	35	46437-3132
46562-3133	G-40S-G	40	33.21	34.21	40	46437-3133



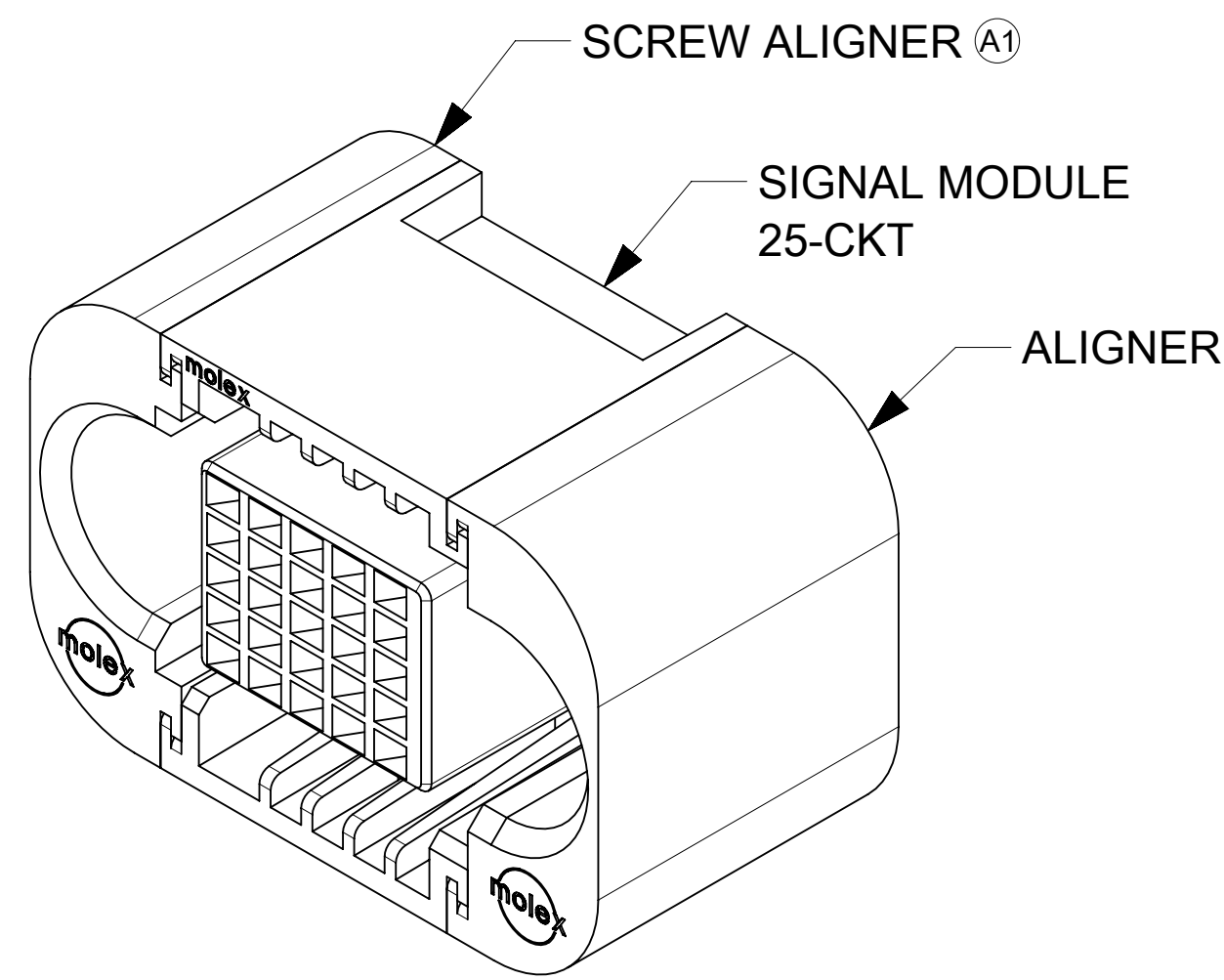
P/N: 46562-3127 (G-10S-G)



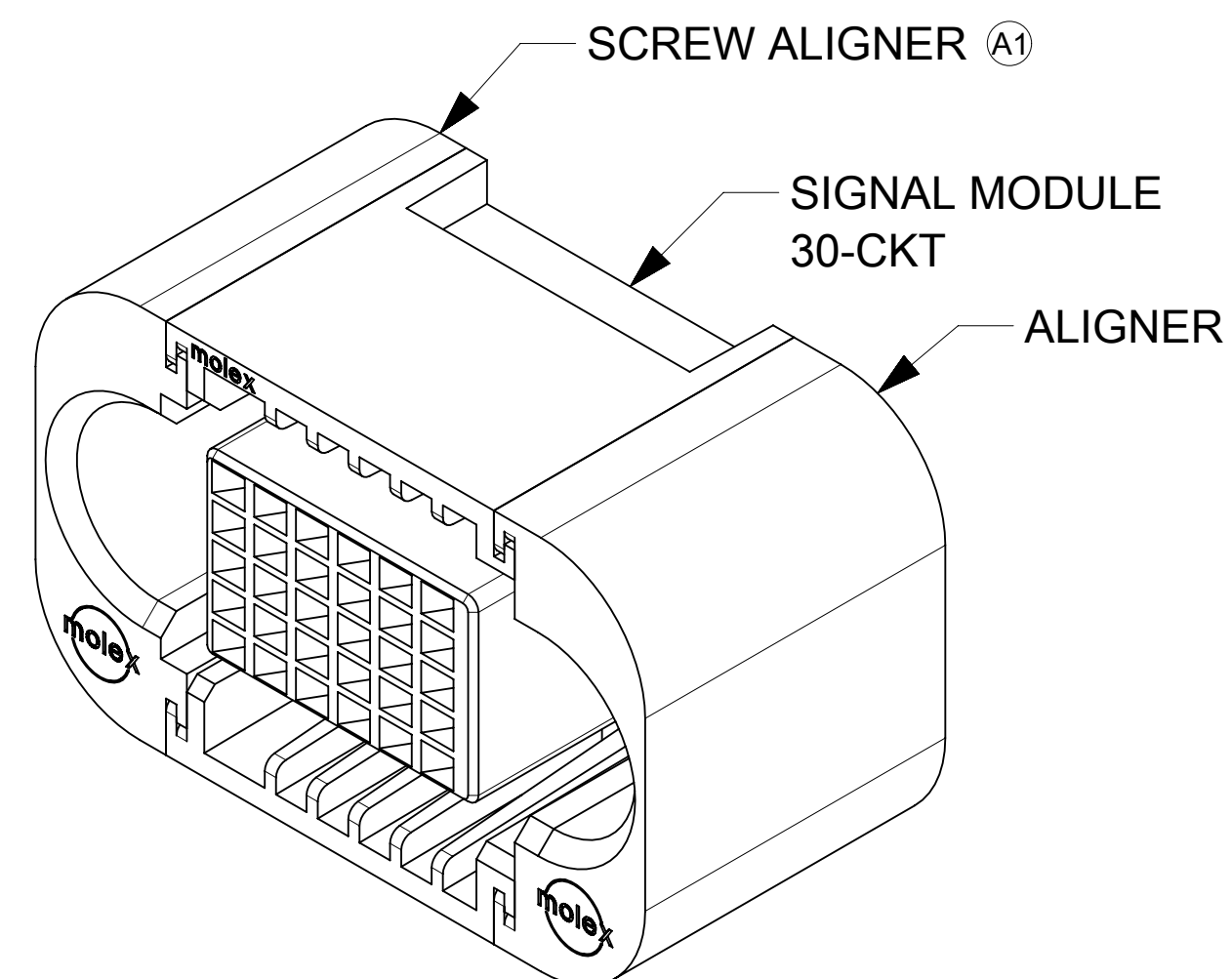
P/N: 46562-3128 (G-15S-G)



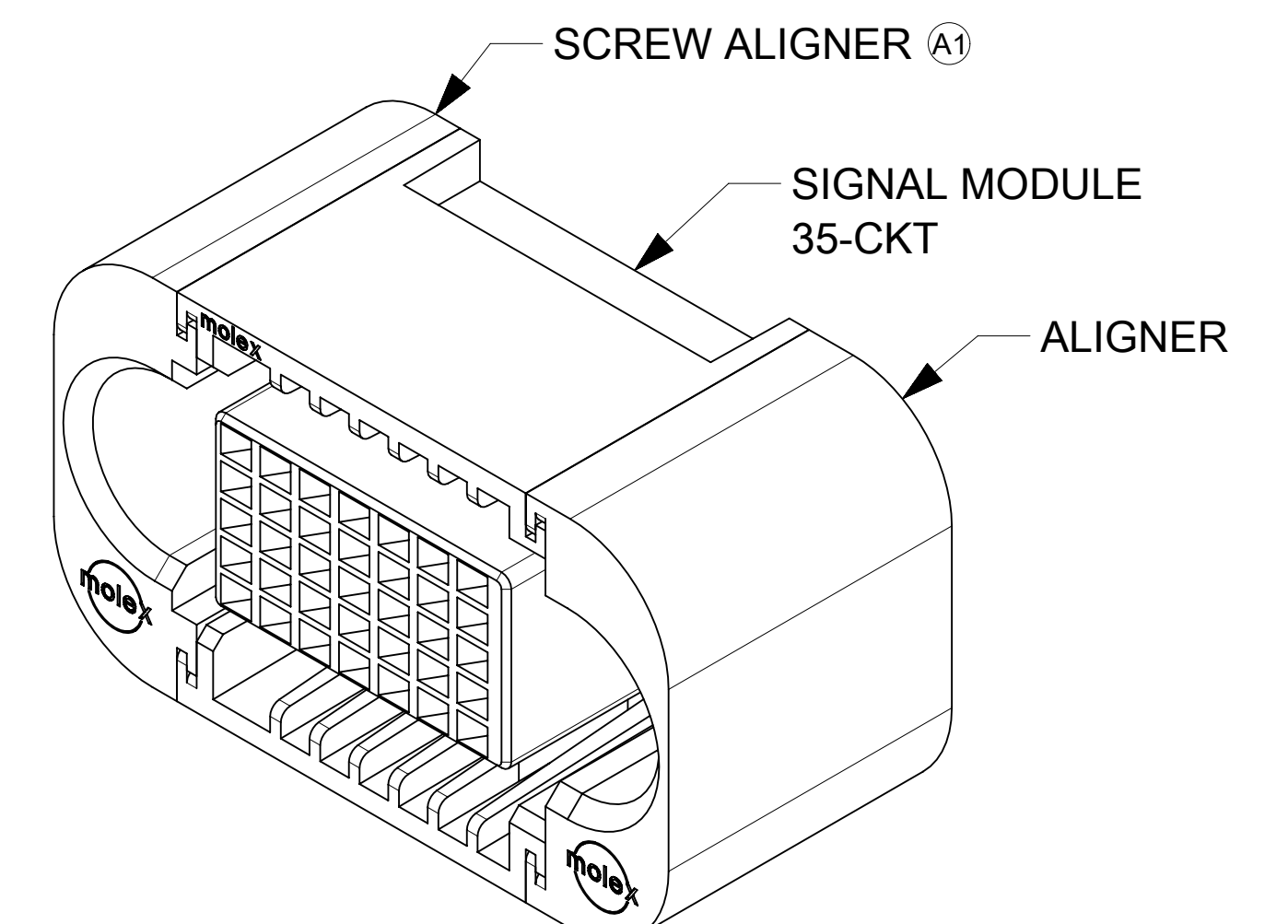
P/N: 46562-3129 (G-20S-G)



P/N: 46562-3130 (G-25S-G)



P/N: 46562-3131 (G-30S-G)



P/N: 46562-3132 (G-35S-G)

THIS DRAWING CONTAINS INFORMATION THAT IS PROPRIETARY TO MOLEX ELECTRONIC TECHNOLOGIES, LLC AND SHOULD NOT BE USED WITHOUT WRITTEN PERMISSION											
DIMENSION UNITS		SCALE		CURRENT REV DESC: REPLACED STANDARD ALIGNER WITH SCREW DOWN ALIGNER, UPDATED DIMENSIONS & ADDED SECTION VIEW B-B							
mm		4:1		<p><b>molex</b></p> <p>G-*S-G VERT RECEPTACLE ASSY - TEN60 POWER FAMILY</p> <p>PRODUCT CUSTOMER DRAWING</p> <p>DOCUMENT NUMBER: <b>465623127</b>    DOC TYPE: PSD    DOC PART: 000    REVISION: <b>A1</b></p> <p>EC NO: 729882 DRWN: ABHIRK    2022/08/11 CHK'D: BHAGAD    2022/08/16 APPR: HTHYAGARAJ    2022/12/12</p> <p>INITIAL REVISION: DRWN: GJEEVANSURES    2022/01/12 APPR: HTHYAGARAJ    2022/02/22</p> <p>DRAFT WHERE APPLICABLE    THIRD ANGLE PROJECTION    DRAWING    SERIES    MATERIAL NUMBER    CUSTOMER    SHEET NUMBER MUST REMAIN WITHIN DIMENSIONS        <b>D-SIZE</b>    <b>46562</b>    SEE TABLE    GENERAL MARKET    2 OF 2</p>							
GENERAL TOLERANCES (UNLESS SPECIFIED)											
ANGULAR TOL ± 0.5°											
4 PLACES ±											
3 PLACES ±											
2 PLACES ± 0.13											
1 PLACE ± 0.25											
0 PLACES ±											