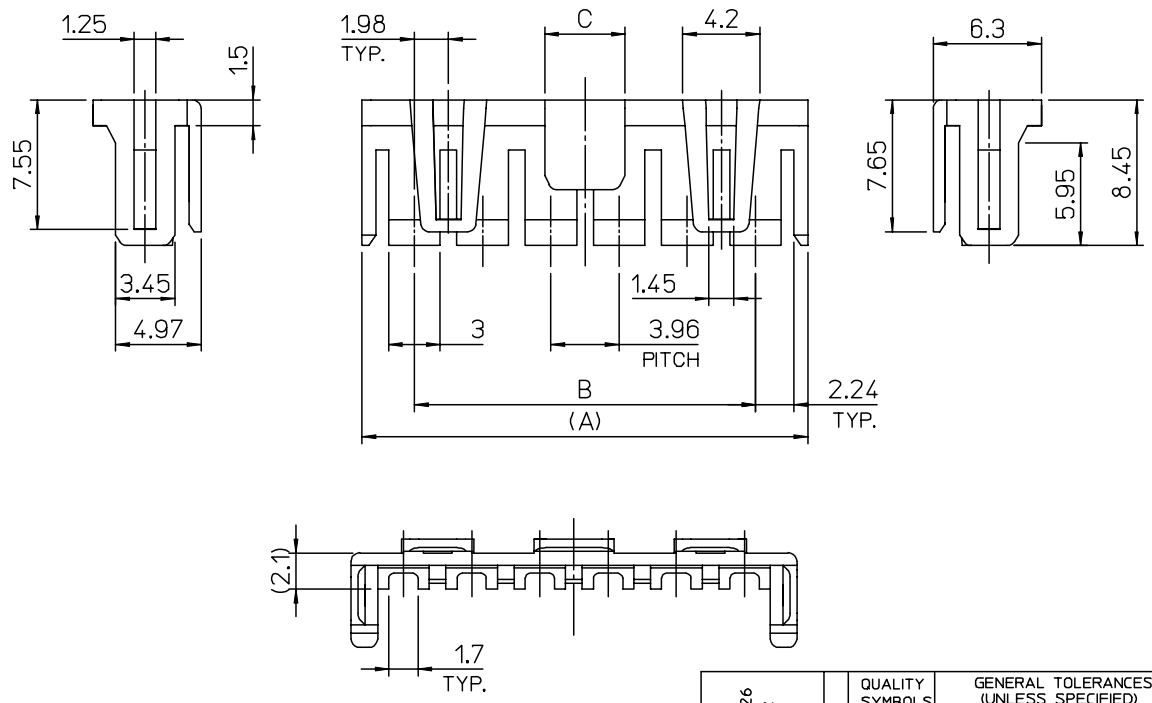
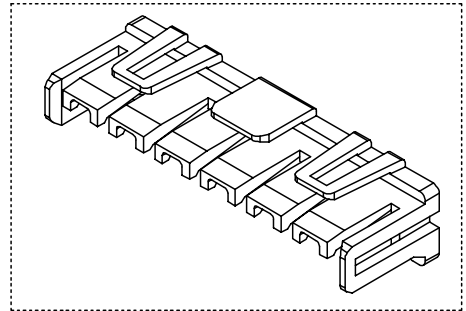
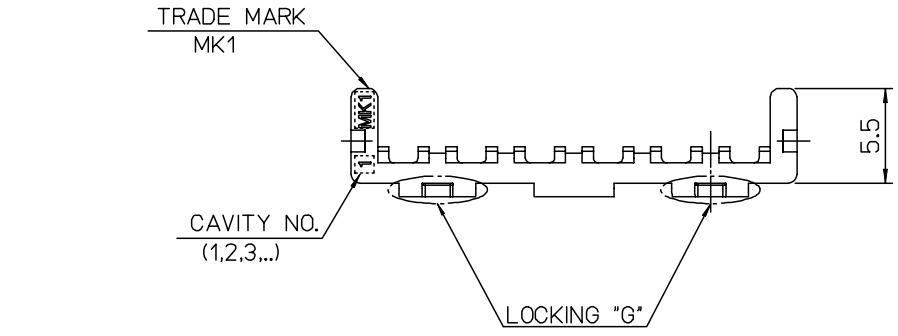


DWG. NO. SD-49518-001
 PROJECT NO.
 SIMILAR ITEM
 DO NOT SCALE DRAWING DIMENSION IN METRIC



| | | | | | |
|-------|-------|-------|--------------|------|-----------------|
| 17.07 | 55.44 | 61.52 | - 1590 | 15 | LOCKING |
| | 51.48 | 57.56 | - 1490 | 14 | |
| | 47.52 | 53.6 | - 1390 | 13 | |
| | 43.56 | 49.64 | - 1290 | 12 | |
| | 39.60 | 45.68 | - 1190 | 11 | |
| | 35.64 | 41.72 | - 1090 | 10 | |
| 14.87 | 31.68 | 37.76 | - 0990 | 9 | |
| 12.87 | 27.72 | 33.8 | - 0890 | 8 | |
| 8.04 | 23.76 | 29.84 | - 0790 | 7 | |
| 4.67 | 19.80 | 25.88 | - 0690 | 6 | WITHOUT LOCKING |
| | 15.84 | 21.92 | - 0590 | 5 | |
| | 11.88 | 17.96 | - 0490 | 4 | |
| | 7.92 | 14 | - 0390 | 3 | |
| 0.67 | 3.96 | 10.04 | 49518- 0290 | 2 | |
| C | B | A | MATERIAL NO. | CKT' | TYPE'G' |

- NOTES
- MATERIAL : POLYAMIDE66,UL94V-2
 - FINISH : NATURAL COLOR
 - MATED WITH HOUSING : 49517 SERIES

| | | | | | | | | | | | | | | | | | |
|--|--------------------------------------|--|---|---|----------------|----------|-----|----|----------|-------|----|---------|-------|----|---|------------------------------|--------------------|
| NEW RELEASED ECN NO. KOR2006-0026 DRWN: J.B.JIN 05/08/22 CHK: W.Y.YANG APPR: C.W.LEE | QUALITY SYMBOLS MAJOR CRITICAL | GENERAL TOLERANCES: (UNLESS SPECIFIED) | SCALE 1:1 DESIGN UNITS <input checked="" type="checkbox"/> mm <input type="checkbox"/> INCH | THIRD ANGLE PROJECTION <input type="checkbox"/> mm <input type="checkbox"/> INCH <input checked="" type="checkbox"/> mm ONLY | SHT REV | | | | | | | | | | | | |
| | DESCRIPTION A | <table border="1"> <tr> <td>4 PLACES</td> <td>±0.</td> <td>±-</td> </tr> <tr> <td>3 PLACES</td> <td>±0.</td> <td>±-</td> </tr> <tr> <td>2 PLACES</td> <td>±0.25</td> <td>±-</td> </tr> <tr> <td>1 PLACE</td> <td>±0.25</td> <td>±-</td> </tr> </table> | 4 PLACES | ±0. | ±- | 3 PLACES | ±0. | ±- | 2 PLACES | ±0.25 | ±- | 1 PLACE | ±0.25 | ±- | DRAWN BY & DATE J.B.JIN 05/02/18 CHECKED BY & DATE W.Y.YANG 05/02/18 APPROVED BY & DATE C.W.LEE 05/02/18 | TITLE: 3.96 W/B CONN.-TPA | REVISE ON CAD ONLY |
| | 4 PLACES | ±0. | ±- | | | | | | | | | | | | | | |
| | 3 PLACES | ±0. | ±- | | | | | | | | | | | | | | |
| 2 PLACES | ±0.25 | ±- | | | | | | | | | | | | | | | |
| 1 PLACE | ±0.25 | ±- | | | | | | | | | | | | | | | |
| CAD FILENAME S49518AA.MI | MATERIAL NO. SEE CHART | DRAWING NO. SD-49518-001 | SHEET NO. 1 OF 1 | SIZE B | | | | | | | | | | | | | |
| DRAFT WHERE APPLICABLE MUST REMAIN WITHIN DIMENSIONS | | THIS DRAWING CONTAINS INFORMATION THAT IS PROPRIETARY TO MOLEX INCORPORATED AND SHOULD NOT BE USED WITHOUT WRITTEN PERMISSION. | | | KOREA MX-A3 | | | | | | | | | | | | |