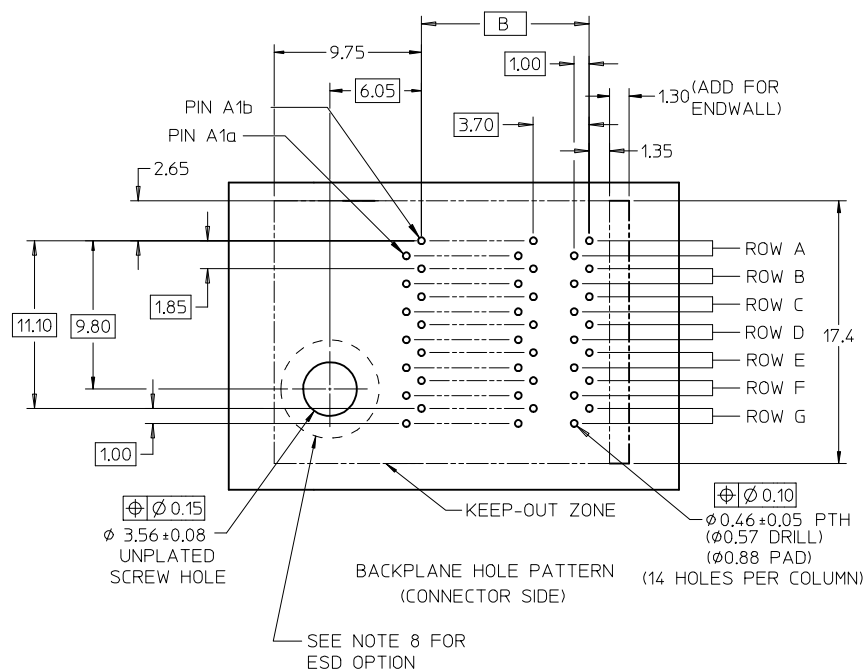
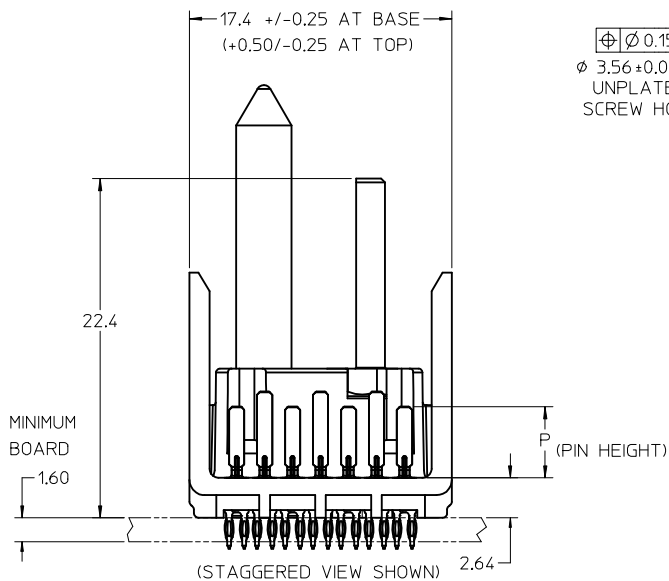
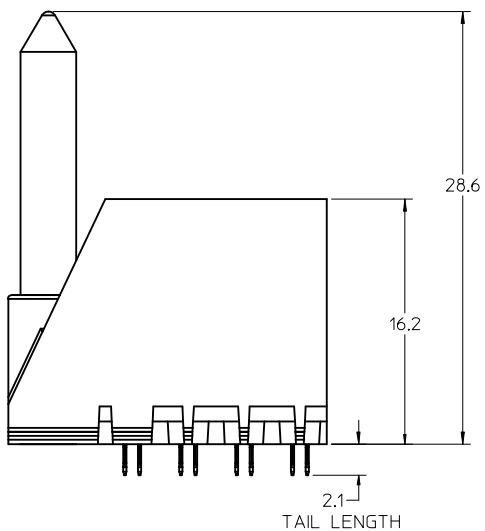
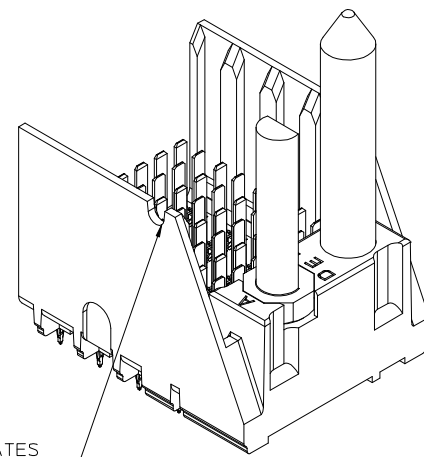


KEY SHOWN IN POSITION "E"



NOTCH DESIGNATES ROW A



LEADFREE CONVERTER: EC NO: UCP2013-1898 DRAWN: MPOFF CHKD: MWOLFE APPR: SMILLER	REV	DESCRIPTION 2012/11/12 2012/11/12 2012/12/21	QUALITY SYMBOLS ▽=0 ▽=0 ▽=0	GENERAL TOLERANCES (UNLESS SPECIFIED)		DIMENSION STYLE MM ONLY		SCALE 4:1	DESIGN UNITS METRIC	THIRD ANGLE PROJECTION
				mm	INCH	DRAWN BY BPISZCZOR	DATE 3/28/06	TITLE I-TRAC BACKPLANE 7 ROW GUIDE LEFT ASSEMBLY SALES DRAWING	DOCUMENT NO. SD-76015-002	SHEET NO. 1 OF 4
4 PLACES	±	---	±	---	CHECKED BY JLAURX	DATE 2007/02/06	molex THIS DRAWING CONTAINS INFORMATION THAT IS PROPRIETARY TO MOLEX INCORPORATED AND SHOULD NOT BE USED WITHOUT WRITTEN PERMISSION			
3 PLACES	±	---	±	---	APPROVED BY CBIXLER	DATE 2007/02/06				
2 PLACES	±	0.13	±	---	ANGULAR ±1/2°		SEE TABLE			
1 PLACE	±	0.25	±	---	DRAFT WHERE APPLICABLE MUST REMAIN WITHIN DIMENSIONS		SIZE C			
0 PLACE	±		±	---						

76015-****

MODULE TYPE -- TAIL PLATING TYPE
 GUIDE LEFT -- TIN ONLY = 2 (PREVIOUSLY TIN/LEAD)
 GUIDE LEFT -- TIN ONLY = 3
 GUIDE LEFT W/END -- TIN ONLY = 6 (PREVIOUSLY TIN/LEAD)
 GUIDE LEFT W/END -- TIN ONLY = 7

OF COLUMNS
 4 = 4 COL
 6 = 6 COL
 1 = 10 COL

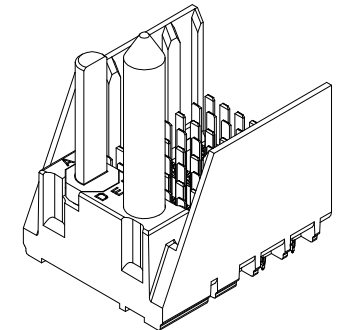
PIN LENGTH (P)
 2 = 3.90 - 30 GOLD
 3 = 4.70 - 30 GOLD
 4 = 5.70 - 30 GOLD
 5 = 4.70 & 5.70 - 30 GOLD
 6 = 3.90 - 10 GOLD
 7 = 4.70 - 10 GOLD
 8 = 5.70 - 10 GOLD
 9 = 4.70 & 5.70 - 10 GOLD

KEY ORIENTATION
 0 = NO KEY
 1 = A
 2 = B
 3 = C
 4 = D
 5 = E
 6 = F
 7 = G
 8 = H

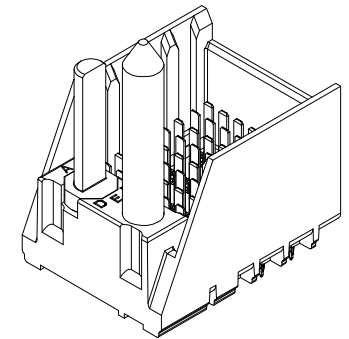
MATERIAL NUMBER	# OF COLUMNS	DIM "A"	DIM "B"
76015-4**	4	21.1	11.10
76015-6**	6	28.5	18.50
76015-1**	10	43.3	33.30

MATERIAL NUMBER	# OF COLUMNS	DIM "A"	DIM "B"
76015-4**	4	22.4	11.10
76015-6**	6	29.8	18.50
76015-1**	10	44.6	33.30

GUIDE LEFT STYLE



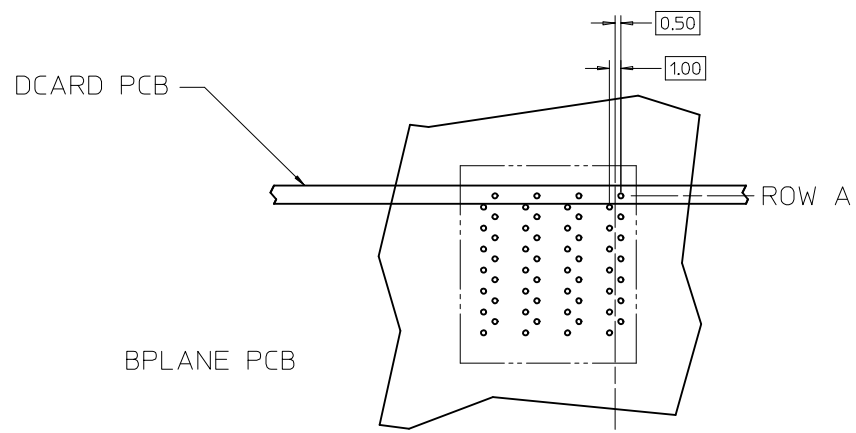
GUIDE LEFT W/END STYLE



- NOTES:
- MATERIALS: HOUSING - LIQUID CRYSTAL POLYMER (LCP) GLASS-FILLED, UL94V-0
 TERMINALS - HIGH PERFORMANCE COPPER ALLOY
 - FINISH: 10 MICROINCH MINIMUM GOLD OR 30 MICROINCH MINIMUM GOLD IN CONTACT AREA. SELECTIVE MATTE TIN ON PCB TAILS, NICKEL OVERALL.
 - REFER TO MOLEX PRODUCT SPECIFICATION PS-75710-999 FOR PERFORMANCE SPECIFICATIONS.
 - FOR MIXED CONTACT MATING LENGTHS, CONSULT MOLEX FOR AVAILABILITY.
 - THIS PART CONFORMS TO CLASS B REQUIREMENTS OF COSMETIC SPEC PS-45499-002.
 - PACKAGE PER: PK-70873-802.
 - GUIDED PARTS TO BE SHIPPED WITH 2-56 UNC B SCREW P/N 73774-1000.
 - FOR GROUNDED GUIDE PINS USE DIA 3.56+/-0.08 (PTH), DIA 3.66 (DRILL), AND DIA 6.5 (PAD).
 - REFER TO PCB ROUTING GUIDE FOR ANTIPAD AND ROUTING RECOMMENDATIONS.

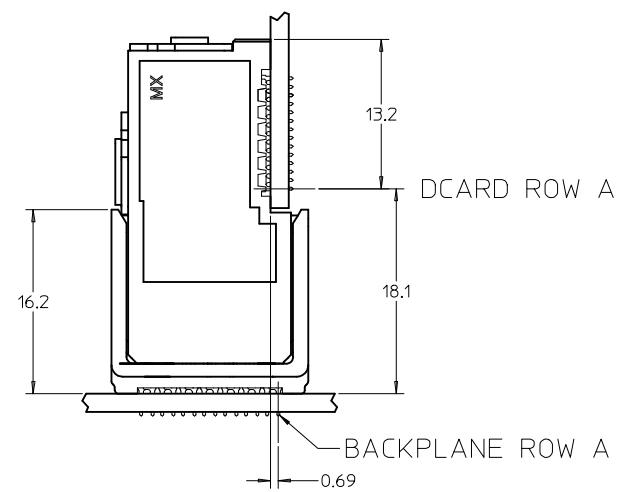
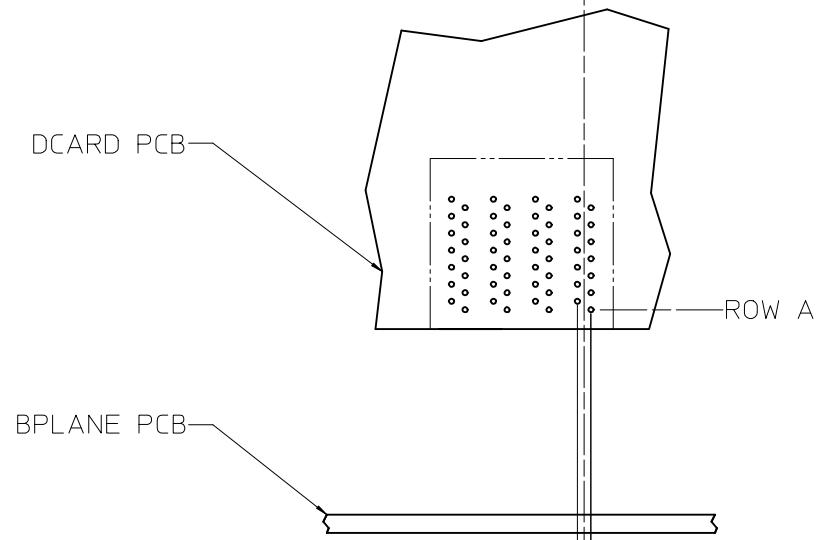
SEE SHEET 1 EC NO: UCP2013-1898 DRWN:MP0FF 2012/11/12 CHKD:HWLFE 2012/11/12 APPR:SMILLER 2012/12/21	QUALITY SYMBOLS ▽=0 ▽=0 ▽=0	GENERAL TOLERANCES (UNLESS SPECIFIED)		DIMENSION STYLE MM ONLY		SCALE 4:1	DESIGN UNITS METRIC	THIRD ANGLE PROJECTION	
		4 PLACES ± --- ± ---	3 PLACES ± --- ± ---	2 PLACES ± 0.13 ± ---	1 PLACE ± 0.25 ± ---	0 PLACE ± ±	DRAWN BY DATE BPISZCZOR 3/28/06		
		ANGULAR ±1/2°		DRAFT WHERE APPLICABLE MUST REMAIN WITHIN DIMENSIONS		CHECKED BY DATE JLAURX 2007/02/06		APPROVED BY DATE CBIXLER 2007/02/06	
		MATERIAL NO. SEE TABLE		DOCUMENT NO. SD-76015-002		SHEET NO. 2 OF 4			

THIS DRAWING CONTAINS INFORMATION THAT IS PROPRIETARY TO MOLEX INCORPORATED AND SHOULD NOT BE USED WITHOUT WRITTEN PERMISSION

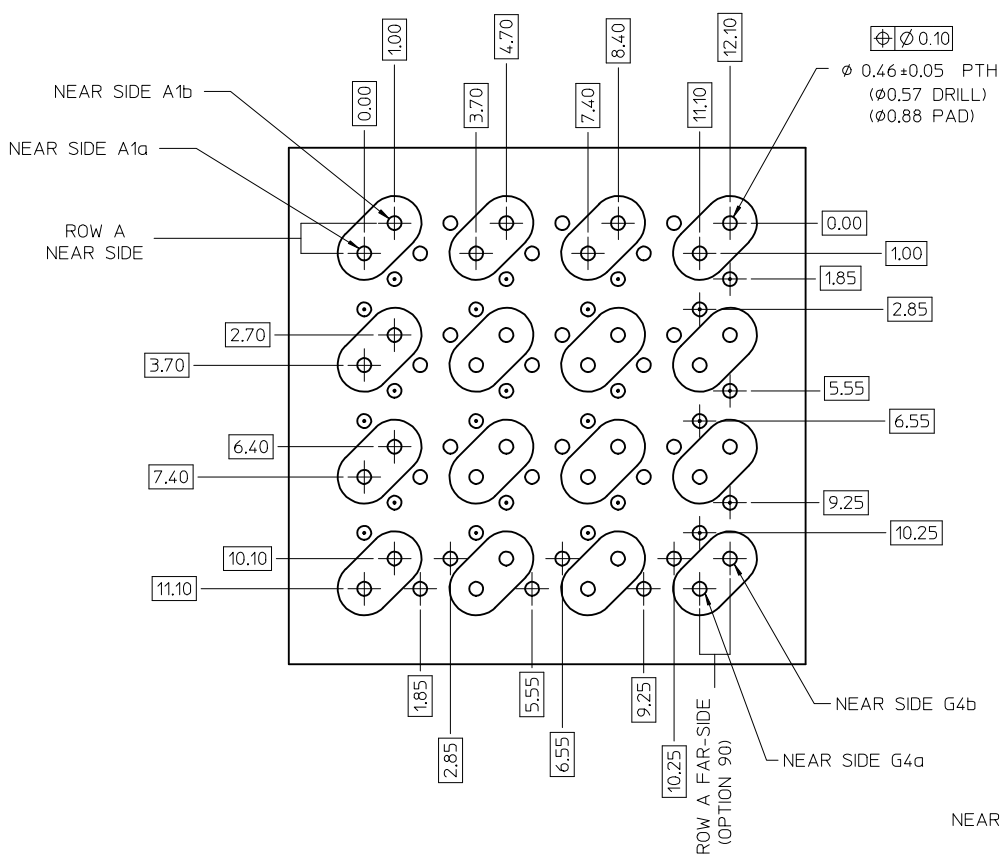


7 ROW I-TRAC BOARD RELATIONSHIPS

CENTERLINE OF HOLE PATTERN COLUMN



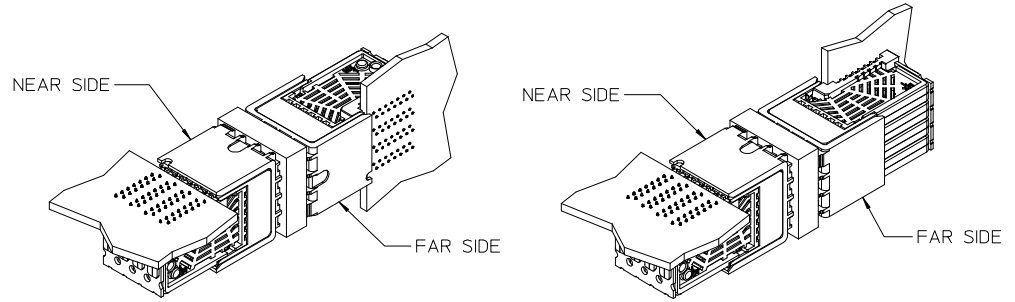
SEE SHEET 1 EC NO: UCP2013-1898 DRWN:MP0FF 2012/11/12 CHKD:MWLFE 2012/11/12 APPR:SMILLER 2012/12/21	QUALITY SYMBOLS ▽=0 ▽=0 ▽=0	GENERAL TOLERANCES (UNLESS SPECIFIED) 4 PLACES ± --- ± --- 3 PLACES ± --- ± --- 2 PLACES ± 0.13 ± --- 1 PLACE ± 0.25 ± --- 0 PLACE ± ±	DIMENSION STYLE MM ONLY DRAWN BY DATE BPISZCZOR 3/28/06 CHECKED BY DATE JLAURX 2007/02/06 APPROVED BY DATE CBIXLER 2007/02/06	SCALE 4:1 DESIGN UNITS METRIC THIRD ANGLE PROJECTION	TITLE I-TRAC BACKPLANE 7 ROW GUIDE LEFT ASSEMBLY SALES DRAWING molex	DOCUMENT NO. SD-76015-002 SHEET NO. 3 OF 4
	DRAFT WHERE APPLICABLE MUST REMAIN WITHIN DIMENSIONS		ANGULAR ±1/2°	MATERIAL NO. SEE TABLE	THIS DRAWING CONTAINS INFORMATION THAT IS PROPRIETARY TO MOLEX INCORPORATED AND SHOULD NOT BE USED WITHOUT WRITTEN PERMISSION	
	REV		DESCRIPTION		SIZE C	
	DRAFT WHERE APPLICABLE MUST REMAIN WITHIN DIMENSIONS					



Orthogonal PCB Layout

ORTHO PIN MAPPING			
OPTION 90 (NEAR SIDE - FAR SIDE)			
A1b-G4b	A2b-E4b	A3b-C4b	A4b-A4b
A1a-G4a	A2a-E4a	A3a-C4a	A4a-A4a
C1b-G3b	C2b-E3b	C3b-C3b	C4b-A3b
C1a-G3a	C2a-E3a	C3a-C3a	C4a-A3a
E1b-G2b	E2b-E2b	E3b-C2b	E4b-A2b
E1a-G2a	E2a-E2a	E3a-C2a	E4a-A2a
G1b-G1b	G2b-E1b	G3b-C1b	G4b-A1b
G1a-G1a	G2a-E1a	G3a-C1a	G4a-A1a

ORTHO PIN MAPPING			
OPTION 270 (NEAR SIDE - FAR SIDE)			
A1b-A1a	A2b-C1a	A3b-E1a	A4b-G1a
A1a-A1b	A2a-C1b	A3a-E1b	A4a-G1b
C1b-A2a	C2b-C2a	C3b-E2a	C4b-G2a
C1a-A2b	C2a-C2b	C3a-E2b	C4a-G2b
E1b-A3a	E2b-C3a	E3b-E3a	E4b-G3a
E1a-A3b	E2a-C3b	E3a-E3b	E4a-G3b
G1b-A4a	G2b-C4a	G3b-E4a	G4b-G4a
G1a-A4b	G2a-C4b	G3a-E4b	G4a-G4b



OPTION 90

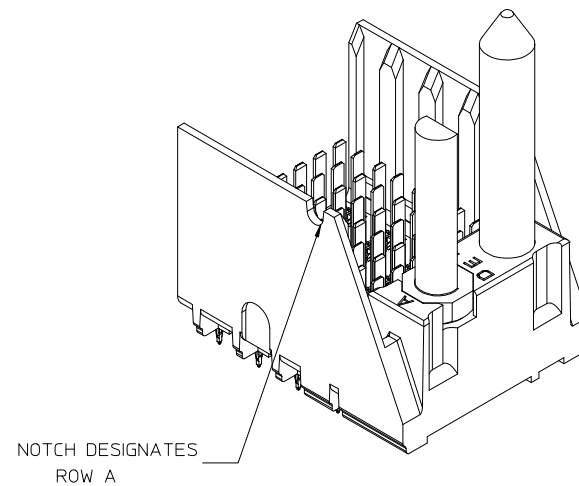
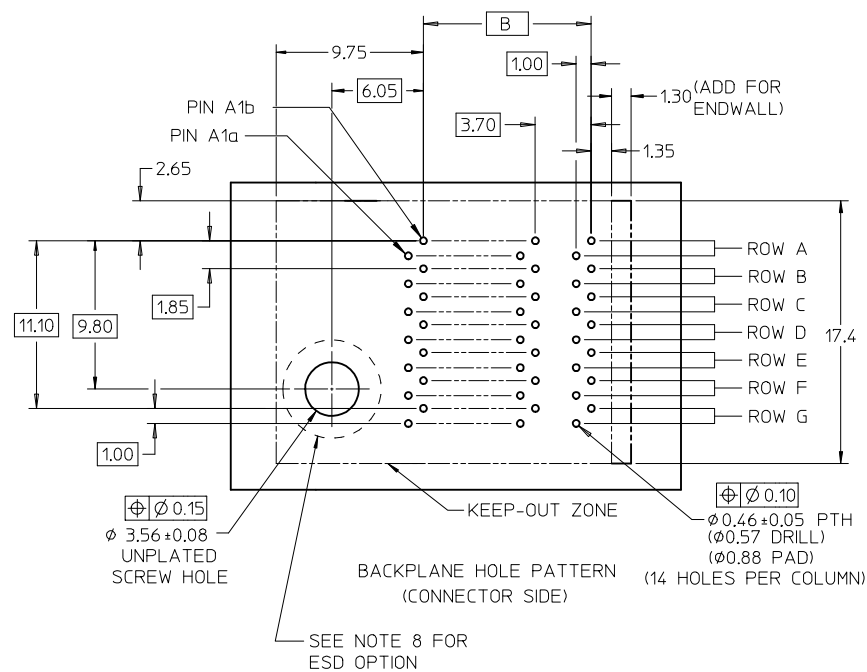
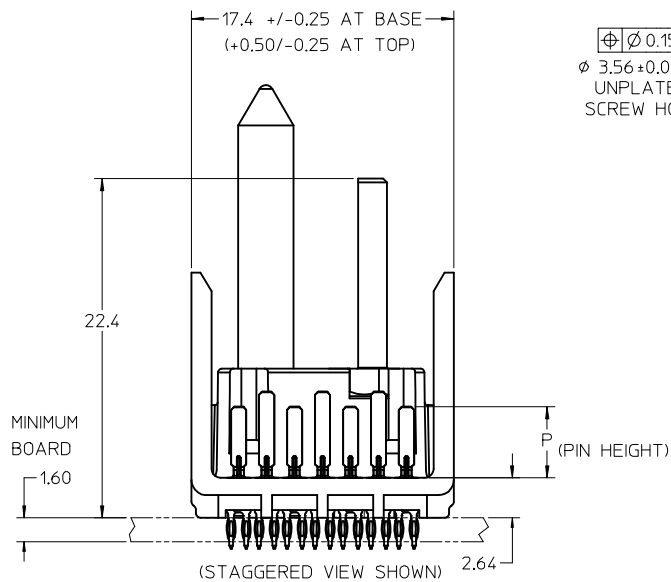
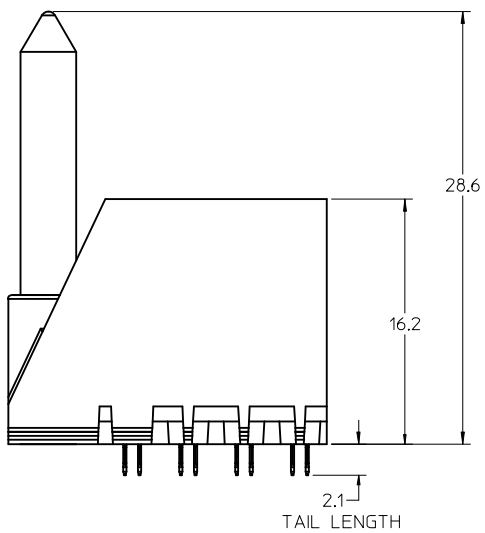
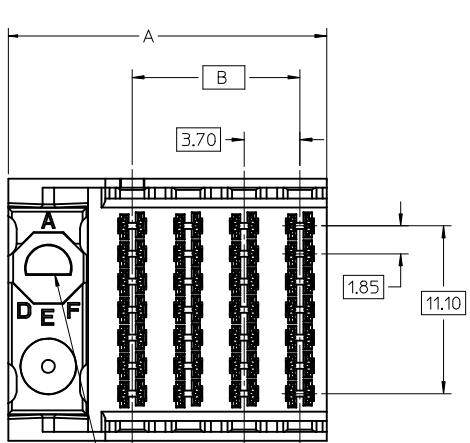
OPTION 270

NOTES:



- NEAR SIDE GROUNDS
- FAR SIDE GROUNDS

SEE SHEET 1 EC NO: UCP2013-1898 DRWN: PPOFF CHKD: MWOLFE APPR: SMILLER 2012/11/12 2012/11/12 2012/12/21	QUALITY SYMBOLS ▽=0 ▽=0 ▽=0	GENERAL TOLERANCES (UNLESS SPECIFIED)		DIMENSION STYLE MM ONLY	SCALE 4:1	DESIGN UNITS METRIC	THIRD ANGLE PROJECTION	
		4 PLACES ± ---	± ---	DRAWN BY BPISZCZOR	DATE 3/28/06	I-TRAC BACKPLANE 7 ROW GUIDE LEFT ASSEMBLY SALES DRAWING molex DOCUMENT NO. SD-76015-002 SHEET NO. 4 OF 4		
		3 PLACES ± ---	± ---	CHECKED BY JLAURX	DATE 2007/02/06			
		2 PLACES ± 0.13	± ---	APPROVED BY CBIXLER	DATE 2007/02/06			
		1 PLACE ± 0.25	± ---	MATERIAL NO.				
0 PLACE ±	±	SEE TABLE						
DRAFT WHERE APPLICABLE MUST REMAIN WITHIN DIMENSIONS		ANGULAR ±1/2°		THIS DRAWING CONTAINS INFORMATION THAT IS PROPRIETARY TO MOLEX INCORPORATED AND SHOULD NOT BE USED WITHOUT WRITTEN PERMISSION				



LEADFREE CONVERTER: EC NO: UCP2013-1898 DRWN:MP0FF 2012/11/12 CHKD:MMWLF 2012/11/12 APPR:SMILLER 2012/12/21	QUALITY SYMBOLS $\nabla = 0$ $\nabla = 0$ $\nabla = 0$	GENERAL TOLERANCES (UNLESS SPECIFIED)		DIMENSION STYLE MM ONLY		SCALE 4:1	DESIGN UNITS METRIC	THIRD ANGLE PROJECTION		
		4 PLACES \pm ---	\pm ---	DRAWN BY	DATE	TITLE I-TRAC BACKPLANE 7 ROW GUIDE LEFT ASSEMBLY SALES DRAWING molex				
		3 PLACES \pm ---	\pm ---	BPI SZCZOR	3/28/06					
		2 PLACES ± 0.13	\pm ---	CHECKED BY	DATE	DOCUMENT NO. SD-76015-002				
1 PLACE ± 0.25	\pm ---	JLAURX	2007/02/06							
0 PLACE \pm	\pm	APPROVED BY	DATE	SIZE THIS DRAWING CONTAINS INFORMATION THAT IS PROPRIETARY TO MOLEX INCORPORATED AND SHOULD NOT BE USED WITHOUT WRITTEN PERMISSION						
ANGULAR $\pm 1/2^\circ$		CBIXLER	2007/02/06							
DRAFT WHERE APPLICABLE MUST REMAIN WITHIN DIMENSIONS		SEE TABLE		SHEET NO. 1 OF 4						

76015-****

MODULE TYPE -- TAIL PLATING TYPE
 GUIDE LEFT -- TIN ONLY = 2 (PREVIOUSLY TIN/LEAD)
 GUIDE LEFT -- TIN ONLY = 3
 GUIDE LEFT W/END -- TIN ONLY = 6 (PREVIOUSLY TIN/LEAD)
 GUIDE LEFT W/END -- TIN ONLY = 7

OF COLUMNS
 4 = 4 COL
 6 = 6 COL
 1 = 10 COL

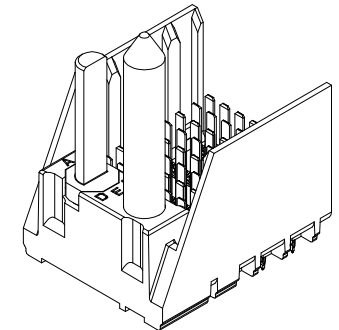
PIN LENGTH (P)
 2 = 3.90 - 30 GOLD
 3 = 4.70 - 30 GOLD
 4 = 5.70 - 30 GOLD
 5 = 4.70 & 5.70 - 30 GOLD
 6 = 3.90 - 10 GOLD
 7 = 4.70 - 10 GOLD
 8 = 5.70 - 10 GOLD
 9 = 4.70 & 5.70 - 10 GOLD

KEY ORIENTATION
 0 = NO KEY
 1 = A
 2 = B
 3 = C
 4 = D
 5 = E
 6 = F
 7 = G
 8 = H

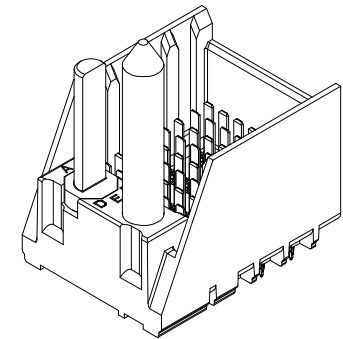
MATERIAL NUMBER	# OF COLUMNS	DIM "A"	DIM "B"
76015-4**	4	21.1	11.10
76015-6**	6	28.5	18.50
76015-1**	10	43.3	33.30

MATERIAL NUMBER	# OF COLUMNS	DIM "A"	DIM "B"
76015-4**	4	22.4	11.10
76015-6**	6	29.8	18.50
76015-1**	10	44.6	33.30

GUIDE LEFT STYLE



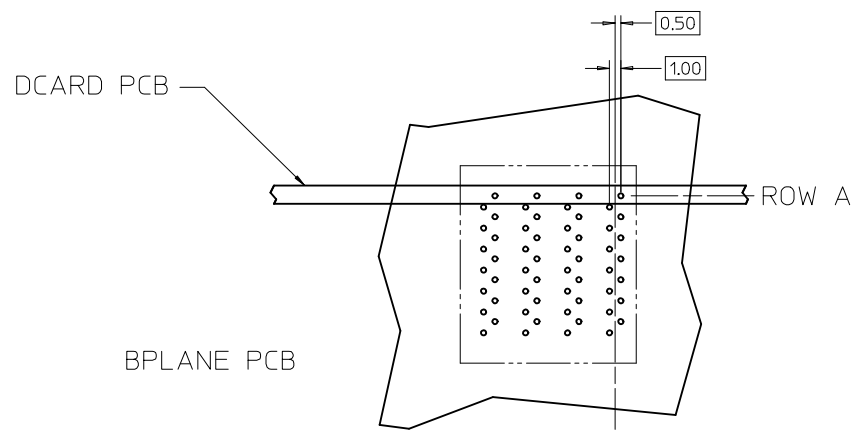
GUIDE LEFT W/END STYLE



NOTES:

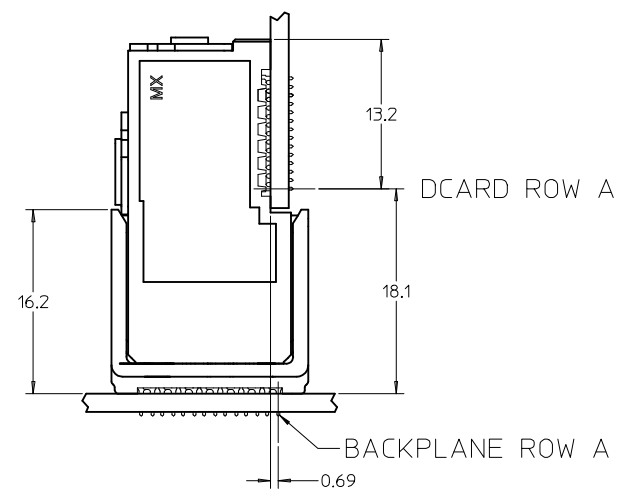
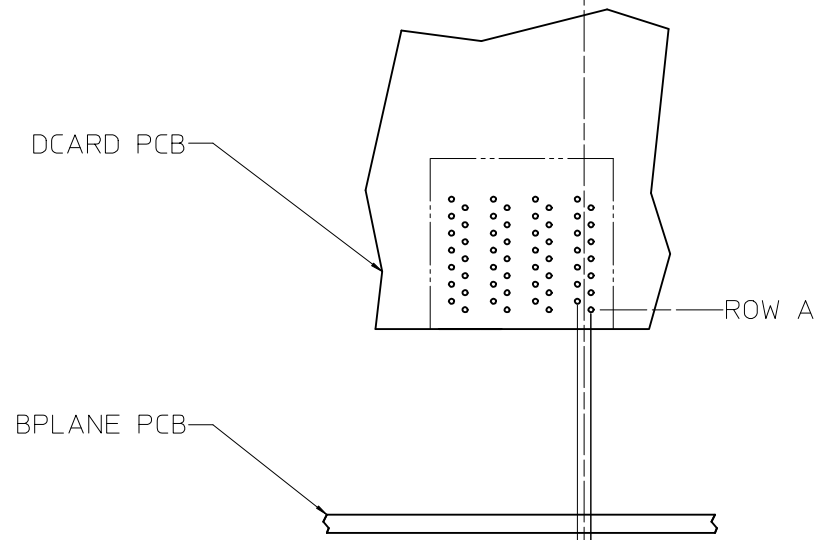
- MATERIALS: HOUSING - LIQUID CRYSTAL POLYMER (LCP) GLASS-FILLED, UL94V-0
 TERMINALS - HIGH PERFORMANCE COPPER ALLOY
- FINISH: 10 MICROINCH MINIMUM GOLD OR 30 MICROINCH MINIMUM GOLD IN CONTACT AREA. SELECTIVE MATTE TIN ON PCB TAILS, NICKEL OVERALL.
- REFER TO MOLEX PRODUCT SPECIFICATION PS-75710-999 FOR PERFORMANCE SPECIFICATIONS.
- FOR MIXED CONTACT MATING LENGTHS, CONSULT MOLEX FOR AVAILABILITY.
- THIS PART CONFORMS TO CLASS B REQUIREMENTS OF COSMETIC SPEC PS-45499-002.
- PACKAGE PER: PK-70873-802.
- GUIDED PARTS TO BE SHIPPED WITH 2-56 UNC B SCREW P/N 73774-1000.
- FOR GROUNDED GUIDE PINS USE DIA 3.56+/-0.08 (PTH), DIA 3.66 (DRILL), AND DIA 6.5 (PAD).
- REFER TO PCB ROUTING GUIDE FOR ANTIPAD AND ROUTING RECOMMENDATIONS.

SEE SHEET 1 EC NO: UCP2013-1898 DRWN:MP0FF 2012/11/12 CHKD:HWLFE 2012/11/12 APPR:SMILLER 2012/12/21	QUALITY SYMBOLS ▽=0 ▽=0 ▽=0	GENERAL TOLERANCES (UNLESS SPECIFIED)		DIMENSION STYLE MM ONLY		SCALE 4:1	DESIGN UNITS METRIC	THIRD ANGLE PROJECTION
		4 PLACES ± --- ± ---	DRAWN BY BPISZCZOR	DATE 3/28/06	TITLE I-TRAC BACKPLANE 7 ROW GUIDE LEFT ASSEMBLY SALES DRAWING			
		3 PLACES ± --- ± ---	CHECKED BY JLAURX	DATE 2007/02/06				
		2 PLACES ± 0.13 ± ---	APPROVED BY CBIXLER	DATE 2007/02/06	MATERIAL NO. SEE TABLE		DOCUMENT NO. SD-76015-002	SHEET NO. 2 OF 4
1 PLACE ± 0.25 ± ---	ANGULAR ±1/2°		DRAFT WHERE APPLICABLE MUST REMAIN WITHIN DIMENSIONS					
0 PLACE ± ±	THIS DRAWING CONTAINS INFORMATION THAT IS PROPRIETARY TO MOLEX INCORPORATED AND SHOULD NOT BE USED WITHOUT WRITTEN PERMISSION							

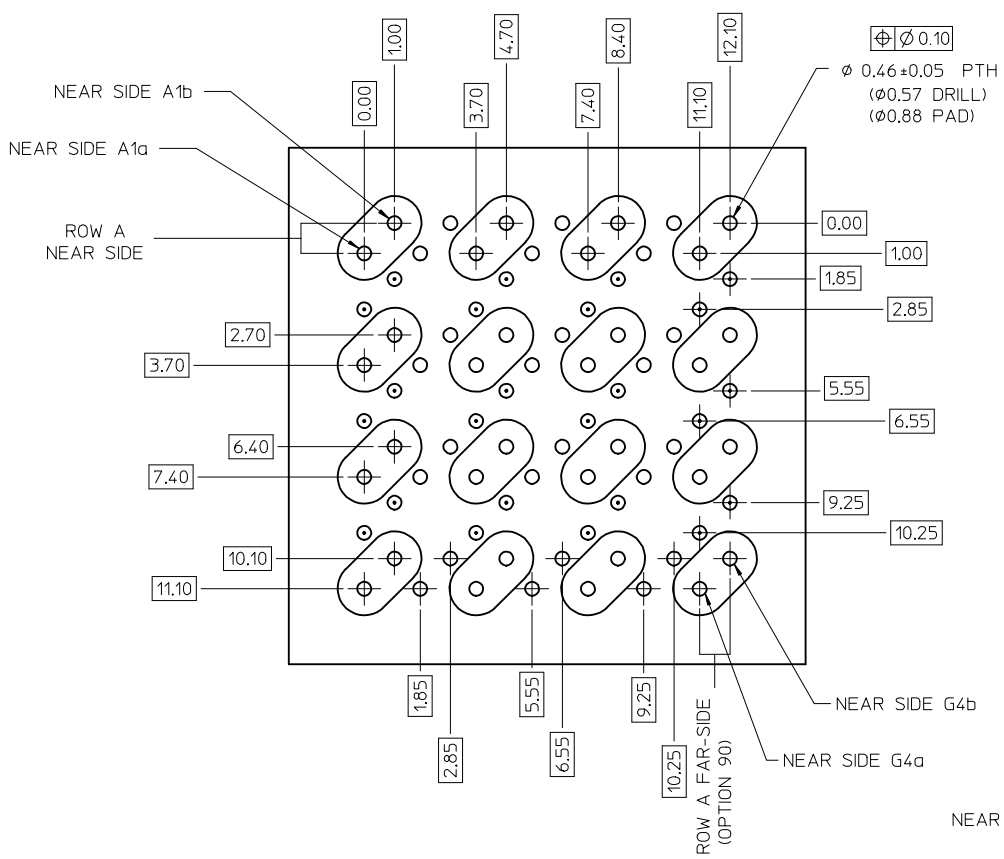


7 ROW I-TRAC BOARD RELATIONSHIPS

CENTERLINE OF HOLE PATTERN COLUMN



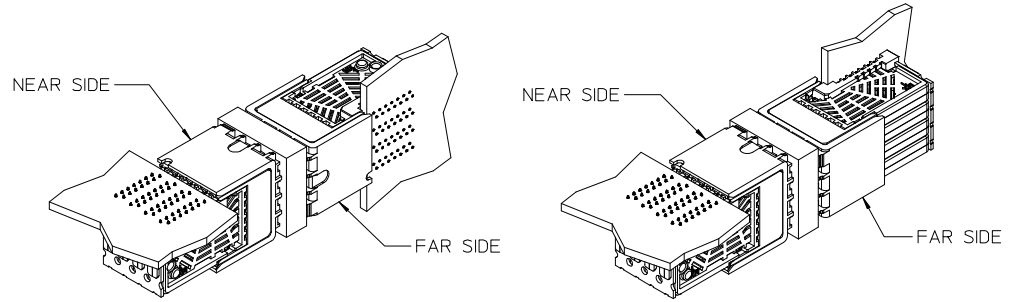
SEE SHEET 1 EC NO: UCP2013-1898 DRWN:MP0FF 2012/11/12 CHKD:MWLFE 2012/11/12 APPR:SMILLER 2012/12/21	QUALITY SYMBOLS	GENERAL TOLERANCES (UNLESS SPECIFIED)	DIMENSION STYLE	SCALE	DESIGN UNITS	THIRD ANGLE PROJECTION
	▽=0	mm INCH	MM ONLY	4:1	METRIC	
	▽=0	4 PLACES ± --- ± ---	DRAWN BY DATE	TITLE	I-TRAC BACKPLANE 7 ROW GUIDE LEFT ASSEMBLY SALES DRAWING molex	
	▽=0	3 PLACES ± --- ± ---	BPISZCZOR 3/28/06	SD-76015-002		
REV	DESCRIPTION	ANGULAR ±1/2°	APPROVED BY DATE	DOCUMENT NO.	SHEET NO.	
		DRAFT WHERE APPLICABLE MUST REMAIN WITHIN DIMENSIONS	CBIXLER 2007/02/06	SD-76015-002	3 OF 4	
			MATERIAL NO.	THIS DRAWING CONTAINS INFORMATION THAT IS PROPRIETARY TO MOLEX INCORPORATED AND SHOULD NOT BE USED WITHOUT WRITTEN PERMISSION		
			SEE TABLE			



Orthogonal PCB Layout

ORTHO PIN MAPPING			
OPTION 90 (NEAR SIDE - FAR SIDE)			
A1b-G4b	A2b-E4b	A3b-C4b	A4b-A4b
A1a-G4a	A2a-E4a	A3a-C4a	A4a-A4a
C1b-G3b	C2b-E3b	C3b-C3b	C4b-A3b
C1a-G3a	C2a-E3a	C3a-C3a	C4a-A3a
E1b-G2b	E2b-E2b	E3b-C2b	E4b-A2b
E1a-G2a	E2a-E2a	E3a-C2a	E4a-A2a
G1b-G1b	G2b-E1b	G3b-C1b	G4b-A1b
G1a-G1a	G2a-E1a	G3a-C1a	G4a-A1a

ORTHO PIN MAPPING			
OPTION 270 (NEAR SIDE - FAR SIDE)			
A1b-A1a	A2b-C1a	A3b-E1a	A4b-G1a
A1a-A1b	A2a-C1b	A3a-E1b	A4a-G1b
C1b-A2a	C2b-C2a	C3b-E2a	C4b-G2a
C1a-A2b	C2a-C2b	C3a-E2b	C4a-G2b
E1b-A3a	E2b-C3a	E3b-E3a	E4b-G3a
E1a-A3b	E2a-C3b	E3a-E3b	E4a-G3b
G1b-A4a	G2b-C4a	G3b-E4a	G4b-G4a
G1a-A4b	G2a-C4b	G3a-E4b	G4a-G4b



OPTION 90

OPTION 270

NOTES:



○ NEAR SIDE GROUNDS

○ FAR SIDE GROUNDS

SEE SHEET 1 EC NO: UCP2013-1898 DRWN: PPOFF CHKD: MWOLFE APPR: SMILLER 2012/11/12 2012/11/12 2012/12/21	QUALITY SYMBOLS	GENERAL TOLERANCES (UNLESS SPECIFIED)	DIMENSION STYLE	SCALE	DESIGN UNITS	THIRD ANGLE PROJECTION
	▽=0	mm INCH	MM ONLY	4:1	METRIC	
	▽=0	4 PLACES ± --- ± ---	DRAWN BY DATE	TITLE		
	▽=0	3 PLACES ± --- ± ---	BPI SZCZOR 3/28/06	I-TRAC BACKPLANE 7 ROW		
	▽=0	2 PLACES ± 0.13 ± ---	CHECKED BY DATE	GUIDE LEFT ASSEMBLY		
	1 PLACE ± 0.25 ± ---	JLAURX 2007/02/06	SALES DRAWING			
	0 PLACE ± ±	APPROVED BY DATE	molex			
		CBIXLER 2007/02/06	MATERIAL NO.	DOCUMENT NO.	SHEET NO.	
			SEE TABLE	SD-76015-002	4 OF 4	
			THIS DRAWING CONTAINS INFORMATION THAT IS PROPRIETARY TO MOLEX INCORPORATED AND SHOULD NOT BE USED WITHOUT WRITTEN PERMISSION			