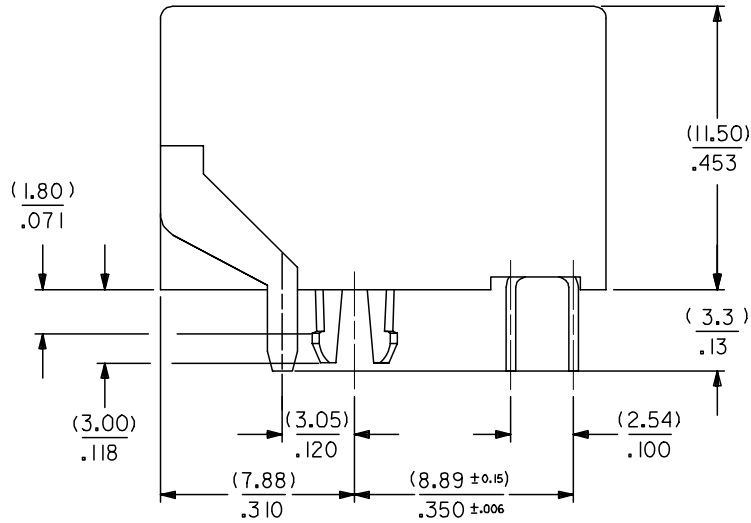
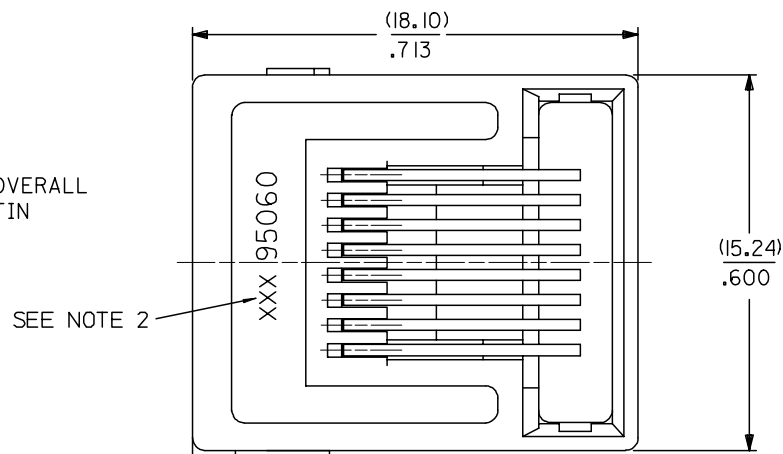
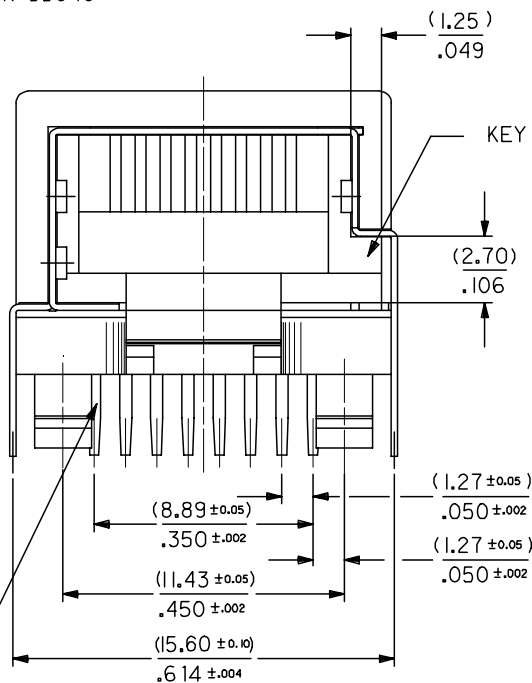
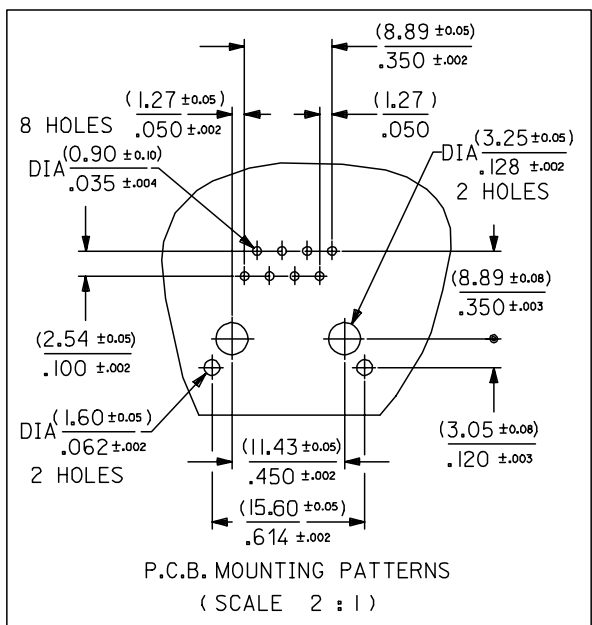


10 9 8 7 6 5 4 3 2 1

**NOTES :** 1- MATERIAL :

HOUSING : POLYAMIDE 4/6 UL 94V0. COLOUR: BLACK. 89992-0008  
 TERMINAL : PHOSPHOR BRONZE PLATED WITH  
 (0.00127-0.00152)/.000050-.000060 GOLD  
 IN CONTACT AREA , (0.00190)/.000075 MIN PURE TIN  
 IN TAIL AREA BOTH OVER (0.00127)/.000050 MIN NICKEL OVERALL  
 SHIELD : BRASS PLATED WITH (0.0020)/.000078 MIN PURE TIN

- 2- LOGO MAY BE MXF, MG OR MXI
- 3- JACK FOR MATING WITH F.C.C. 68 TYPE SHIELDED PLUG
- 4- PRODUCT SPECIFICATION PS-95001
- 5- APPLICATION SPECIFICATION AS-95040
- 6- PACKAGING SPECIFICATION PK-95040



CHANGE TO NOTES 1 & 2 EC NO: E2006-0983 DRWN: PGRADY CHKD: APPR: EOMAHONY	2006/05/16	2006/05/16	2006/05/18
	DESCRIPTION		
	REV		

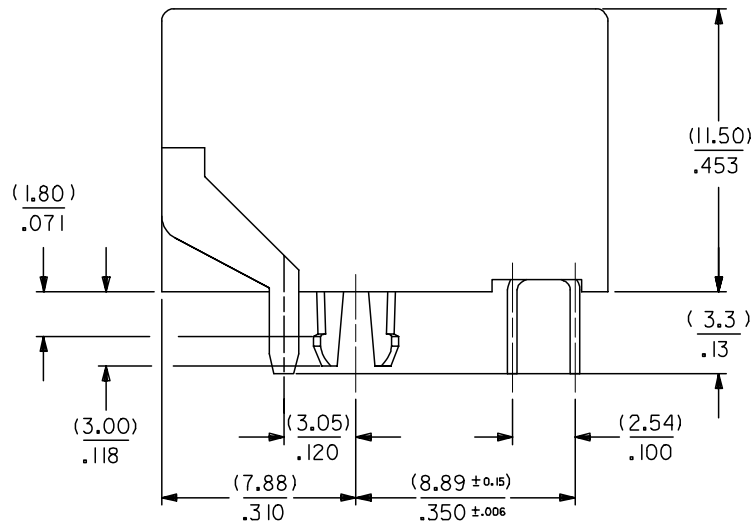
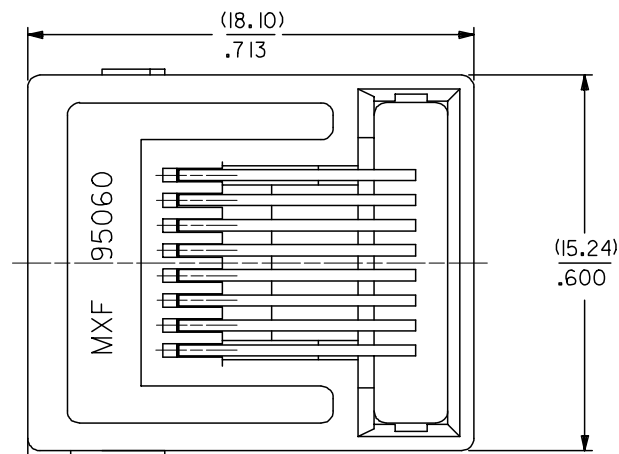
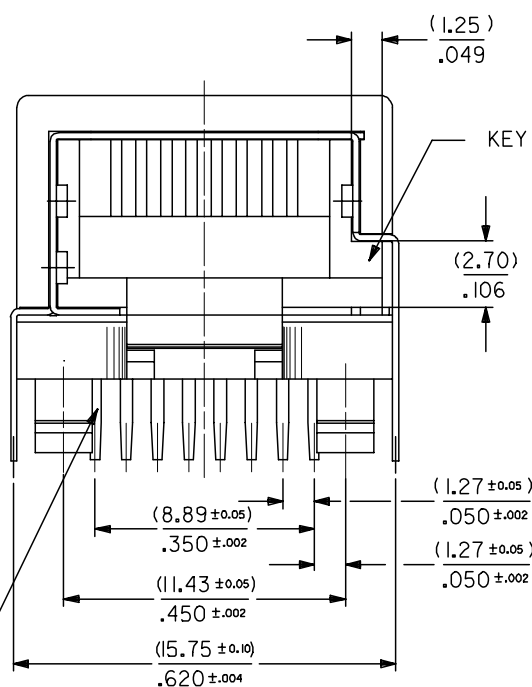
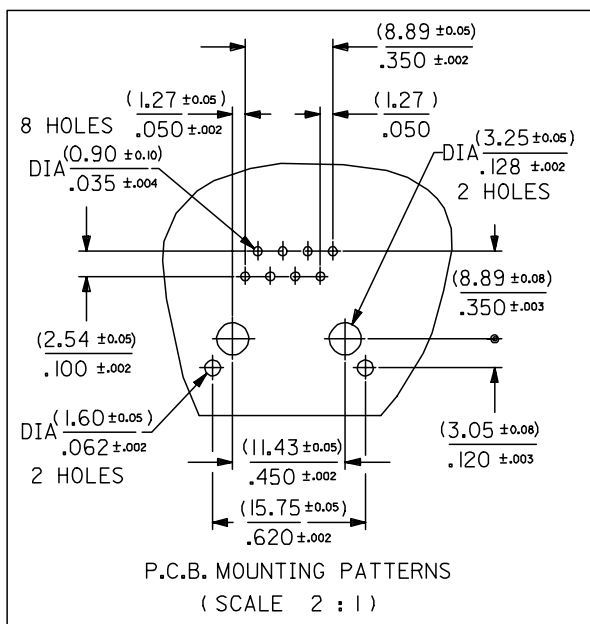
QUALITY SYMBOLS	GENERAL TOLERANCES (UNLESS SPECIFIED)
▽=0	mm INCH
∇=0	4 PLACES ± --- ± ---
	3 PLACES ± --- ± .010
	2 PLACES ± 0.25 ± .014
	1 PLACE ± 0.35 ± ---
	ANGULAR ± 2 °
	DRAFT WHERE APPLICABLE MUST REMAIN WITHIN DIMENSIONS

DIMENSION STYLE		SCALE	DESIGN UNITS	THIRD ANGLE PROJECTION
MM/IN		5:1	METRIC	☉ □
DRAWN BY	DATE	TITLE		
CB		KEYED RIGHT ANGLE SHIELDED LOW PROFILE PC JACK		
CHECKED BY	DATE			
APPROVED BY	DATE	MOLEX INCORPORATED		
MATERIAL NO.	DOCUMENT NO.	SHEET NO.		
95060-2882	SD-95060-001	1 OF 1		

MATERIAL NO.		DOCUMENT NO.	SHEET NO.
95060-2882		SD-95060-001	1 OF 1
THIS DRAWING CONTAINS INFORMATION THAT IS PROPRIETARY TO MOLEX INCORPORATED AND SHOULD NOT BE USED WITHOUT WRITTEN PERMISSION			

9 8 7 6 5 4 3 2 1

- NOTES :
- 1- MATERIAL :  
 HOUSING : POLYESTER G.F. 94V0. COLOR BLACK  
 TERMINAL : PHOSPHOR BRONZE PLATED WITH  
 (0.00127-0.00152)/.000050-.000060 GOLD  
 IN CONTACT AREA , (0.00190)/.000075 MIN PURE TIN  
 IN TAIL AREA BOTH OVER (0.00127)/.000050 MIN NICKEL OVERALL  
 SHIELD : BRASS PLATED WITH (0.0020)/.000078 MIN PURE TIN
  - 2- JACK FOR MATING WITH F.C.C. 68 TYPE SHIELDED PLUG
  - 3- PRODUCT SPECIFICATION PS-95001
  - 4- APPLICATION SPECIFICATION AS-95040
  - 5- PACKAGING SPECIFICATION PK-95040



EC NO: MG2005-0111 2004/12/23 DRAWN: MARTIN CHKD: FCARABETTA APPR: KNOLLER 2005/01/10 2005/01/11	QUALITY SYMBOLS ▽=0 ∇=0	GENERAL TOLERANCES (UNLESS SPECIFIED)		DIMENSION STYLE	SCALE	DESIGN UNITS	THIRD ANGLE PROJECTION	
				MM/IN	5:1	METRIC		
REV	DESCRIPTION	4 PLACES	± ---	± ---	DRAWN BY	DATE	TITLE	
		3 PLACES	± ---	± .010	CB		KEYED RIGHT ANGLE SHIELDED LOW PROFILE PC JACK	
		2 PLACES	± 0.25	± .014	CHECKED BY	DATE	MOLEX INCORPORATED	
		1 PLACE	± 0.35	± ---	APPROVED BY	DATE	MATERIAL NO. 95060-2882 DOCUMENT NO. SDA-95060-F SHEET NO. 1 OF 1	
		ANGULAR ± 2 °		DRAFT WHERE APPLICABLE MUST REMAIN WITHIN DIMENSIONS		THIS DRAWING CONTAINS INFORMATION THAT IS PROPRIETARY TO MOLEX INCORPORATED AND SHOULD NOT BE USED WITHOUT WRITTEN PERMISSION		