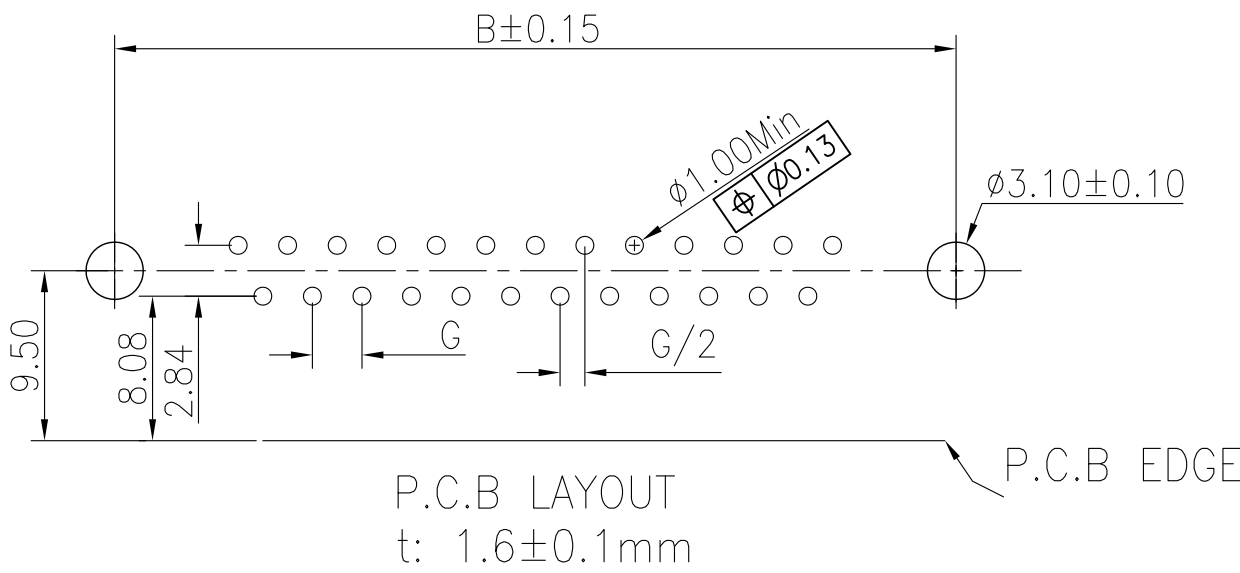
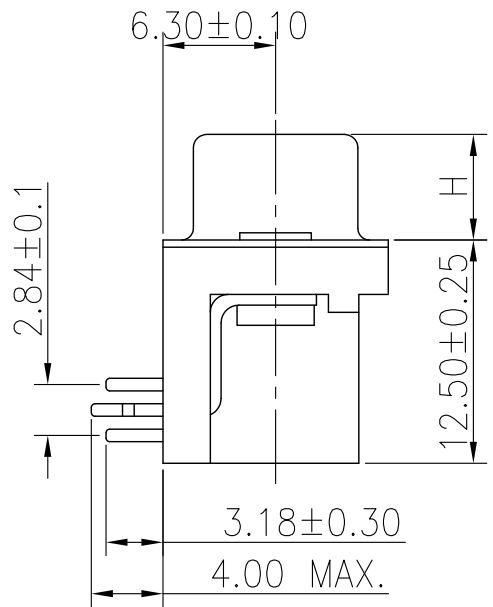
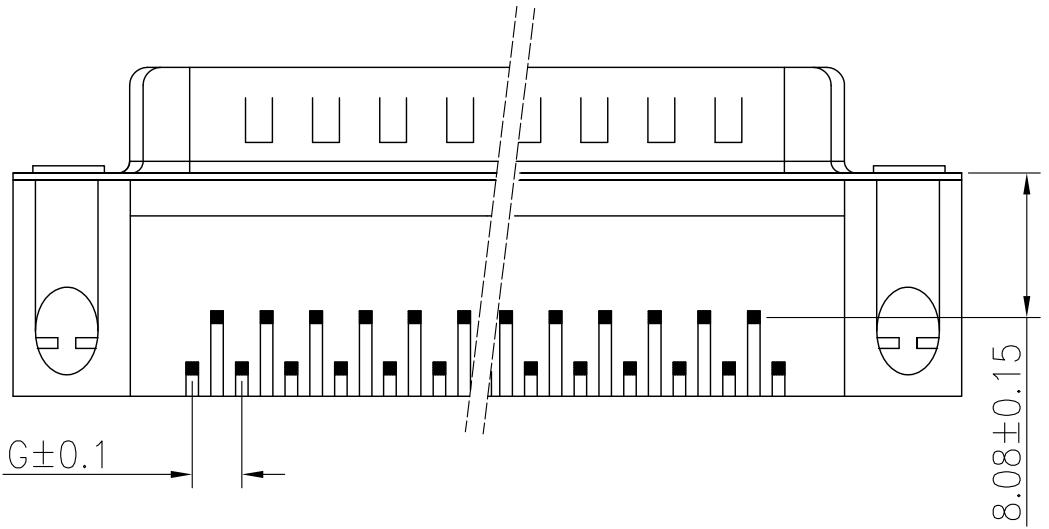
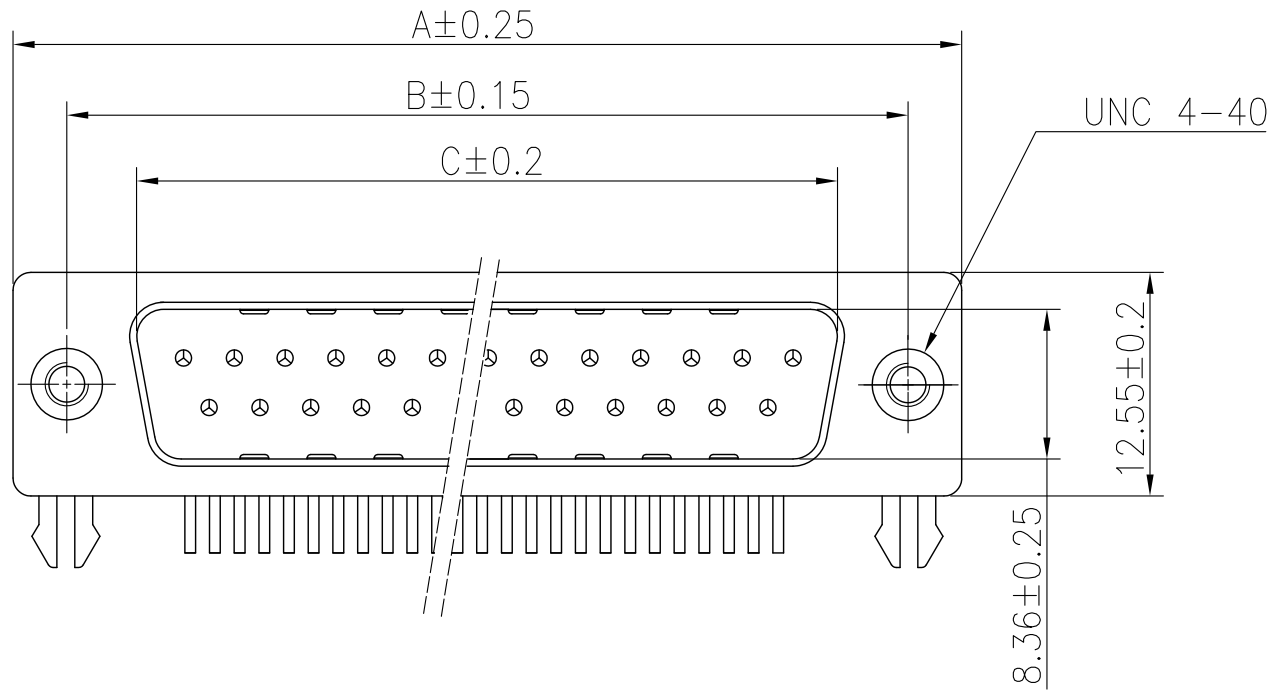


Tous droits strictement reserves. Reproduction ou communication a des tiers interdite sous quelque forme que ce soit sans autorisation ecrite du proprietaire. Propriete de c FCI. Droits de reproduction FCI.



All rights strictly reserved. Reproduction or issue to third parties in any form whatever is not permitted without written authority from the proprietor. Property of FCI. Copyright FCI.



REMARK:
 1.CHARACTERISTICS:
 RATED VOLTAGE: 250V
 RATED CURRENT: 5AMP
 CONTACT RESISTANCE: 25mohms MAX.INITIAL;40mohms MAX.AFTER.
 INSULATION RESISTANCE: 5000Mohms MIN.at 500V DC
 DIELECTRIC STRENGTH: 1000VRMS
 OPERATING TEMPERATURE RANGE: -55℃~ 105℃
 INSERTION/EXTRACTION FORCE PER CONTACT :5N Max./0.3N Min.
 MATING/UNMATING CYCLES :50MATINGS MIN.

2.MATERIAL:
 INSULATORS: GLASS-FILLED THERMOPLASTIC UL94V-0, COLOR IN BLACK.
 CONTACTS: COPPER ALLOY, SELECTIVE GOLD ON CONTACT AREA,
 100u" Min MATTE TIN TOP OVER SOLDER AREA,
 30u" Min NICKEL UNDER PLATE.
 SHELL: STEEL, 100u" Min NICKEL TOP OVER,
 50u" Min COPPER UNDER PLATE.
 BOARD LOCK : COPPER ALLOY,100u" Min MATTE TIN PLATED.

3.PART NUMBER DESCRIPTION:
10090097-P XX 4 X LF
 SERIES NO. _____
 TYPE _____
 P: PIN (MALE)
 NUMBER OF CONTACTS _____
 09: 9-PIN
 15: 15-PIN
 25: 25-PIN
 37: 37-PIN
 LF: ROHS COMPLIANT
 FLANGE MOUNTING OPTION
 X: UNC #4-40 CLINCHNUTS
 CONTACT FINISH
 4: GOLD FLASH

POS.	PART NO.	THREAD TYPE
09P	10090097-P094XLF	UNC 4-40
15P	10090097-P154XLF	UNC 4-40
25P	10090097-P254XLF	UNC 4-40
37P	10090097-P374XLF	UNC 4-40

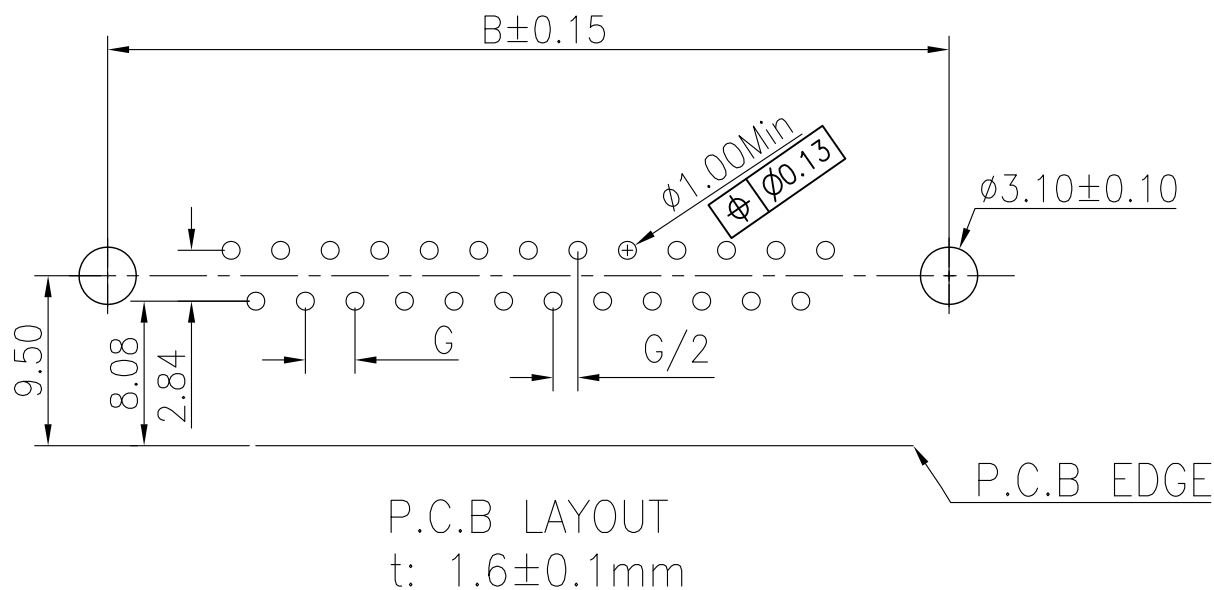
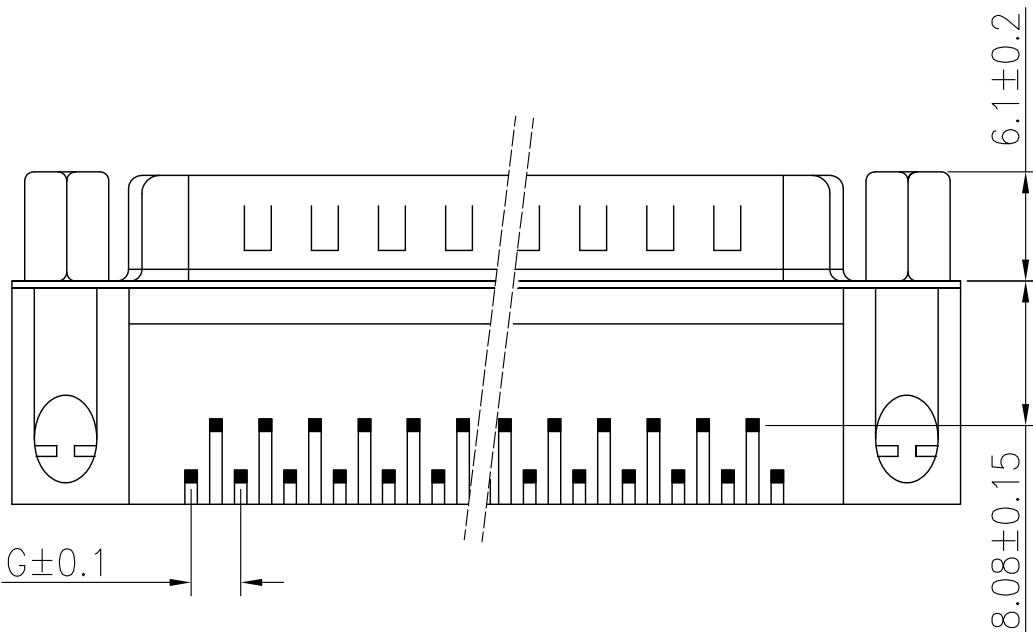
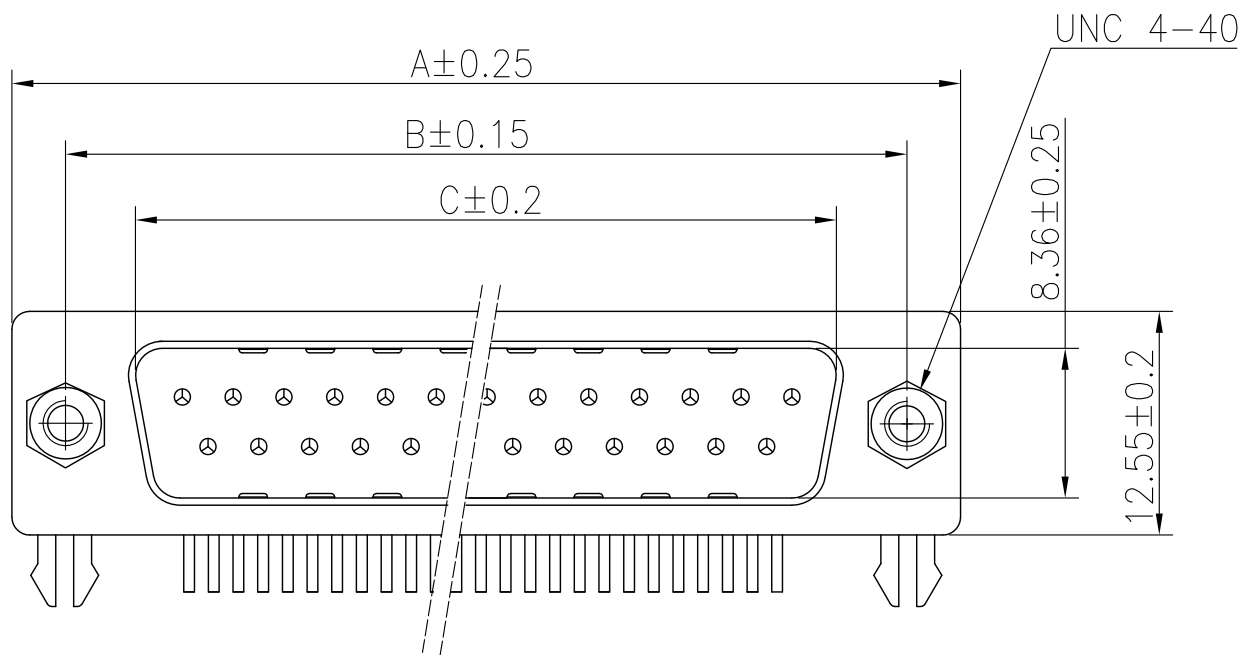
POS.	A	B	C	G	H
09P	30.81	24.99	16.92	2.74	5.90 ^{+0.15} ₋₀
15P	39.24	33.32	25.25	2.74	5.90 ^{+0.15} ₋₀
25P	53.04	47.04	38.96	2.77	5.70 ^{+0.25} ₋₀
37P	69.32	63.50	55.42	2.77	5.70 ^{+0.25} ₋₀

mat'l. code				tolerances unless otherwise specified			CUSTOMER COPY		FCI www.fciconnect.com	
ltr	ecn no	dr	date	linear	.X ± 0.38		projection	title D-SUB MALE RIGHT-ANGLE US STYLE		
A	T09-1033	J.H	3/13/09		.XX ± 0.25					
B	T09-1044	J.H	4/2/09	angles	.XXX ± 0.10		MM	product family D-SUB size dwg no A4 10090097		
C	ELX-I-13433	A.B	9/11/12		0° ±2°					
D	ELX-I-15500	A.B	2013/08/21	dr	JASON HSU	3/12/09	scale 1:1	code TWN sheet 1 of 2		
				enrg	ALIAS BABU	2013/08/21				
				chr	MITHUN PAUL	2013/08/21				
				appd	BIJU.K.PAUL	2013/08/21				
sheet index	revision sheet	D	D					cage code 22526		
		1	2					4		

Tous droits strictement reserves. Reproduction ou communication a des tiers interdite sous quelque forme que ce soit sans autorisation ecrite du proprietaire. Propriete de c FCI. Droits de reproduction FCI.



All rights strictly reserved. Reproduction or issue to third parties in any form whatever is not permitted without written authority from the proprietor. Property of FCI. Copyright FCI.



REMARK:

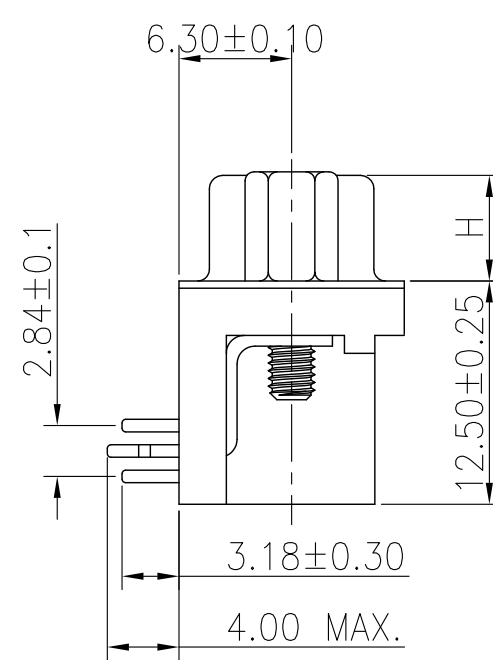
1.CHARACTERISTICS:

RATED VOLTAGE: 250V
 RATED CURRENT: 5AMP
 CONTACT RESISTANCE: 25mohms MAX.INITIAL; 40mohms MAX.AFTER
 INSULATION RESISTANCE: 5000Mohms MIN.at 500V DC
 DIELECTRIC STRENGTH: 1000VRMS
 OPERATING TEMPERATURE RANGE: -55°C ~ 105°C
 INSERTION/EXTRACTION FORCE PER CONTACT : 5N Max./0.3N Min.
 MATING/UNMATING CYCLES:50MATINGS MIN.

2.MATERIAL:

INSULATORS: GLASS-FILLED THERMOPLASTIC UL94V-0, COLOR IN BLACK.
 CONTACTS: COPPER ALLOY,SELECTIVE GOLD ON CONTACT AREA,
 100u" Min MATTE TIN TOP OVER SOLDER AREA,
 30u" Min NICKEL UNDER PLATE.
 SHELL: STEEL,100u" Min NICKEL TOP OVER,
 50u" Min COPPER UNDER PLATE.
 BOARD LOCK:COPPER ALLOY,100u" Min MATTE TIN PLATED.
 SCREW LOCK: COPPER ALLOY, 100u" Min BRIGHT NICKEL PLATED.

3. PART NUMBER DESCRIPTION:



SERIES NO. 10090097-P XX 4 V LF
 TYPE _____ LF: ROHS COMPLIANT
 P: PIN (MALE) _____ FLANGE MOUNTING OPTION
 _____ V: UNC #4-40 SCREWLOCKS
 NUMBER OF CONTACTS _____ CONTACT FINISH
 _____ 4: FLASH GOLD

09: 9-PIN
 15: 15-PIN
 25: 25-PIN
 37: 37-PIN

POS.	PART NO.	A	B	C	G	H
09P	10090097-P094VLF	30.81	24.99	16.92	2.74	5.90 ^{+0.15} ₋₀
15P	10090097-P154VLF	39.24	33.32	25.25	2.74	5.90 ^{+0.15} ₋₀
25P	10090097-P254VLF	53.04	47.04	38.96	2.77	5.70 ^{+0.25} ₋₀
37P	10090097-P374VLF	69.32	63.50	55.42	2.77	5.70 ^{+0.25} ₋₀

mat'l. code				tolerances unless otherwise specified		CUSTOMER COPY		FCI		www.fciconnect.com	
ltr	ecn no	dr	date	linear	.X ± 0.38	projection	title D-SUB MALE RIGHT-ANGLE US STYLE				
D					.XX ± 0.25		product family D-SUB code TWN				
				angles	.XXX ± 0.10						
				dr	JASON HSU 3/12/09		size		sheet 2 of 2		
				enr	ALIAS BABU 2013/08/21		A4		10090097		
				chr	MITHUN PAUL 2013/08/21	scale					
				appd	BIJU.K.PAUL 2013/08/21	1:1					
sheet index	revision sheet										