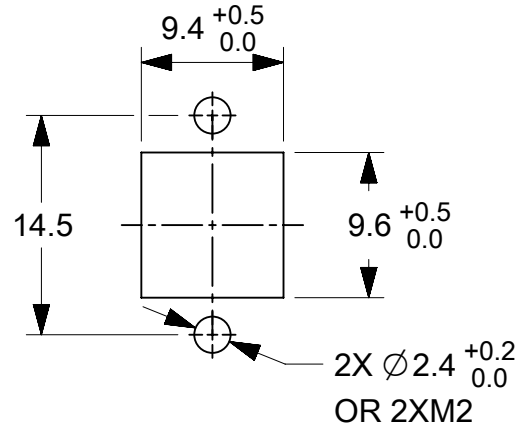
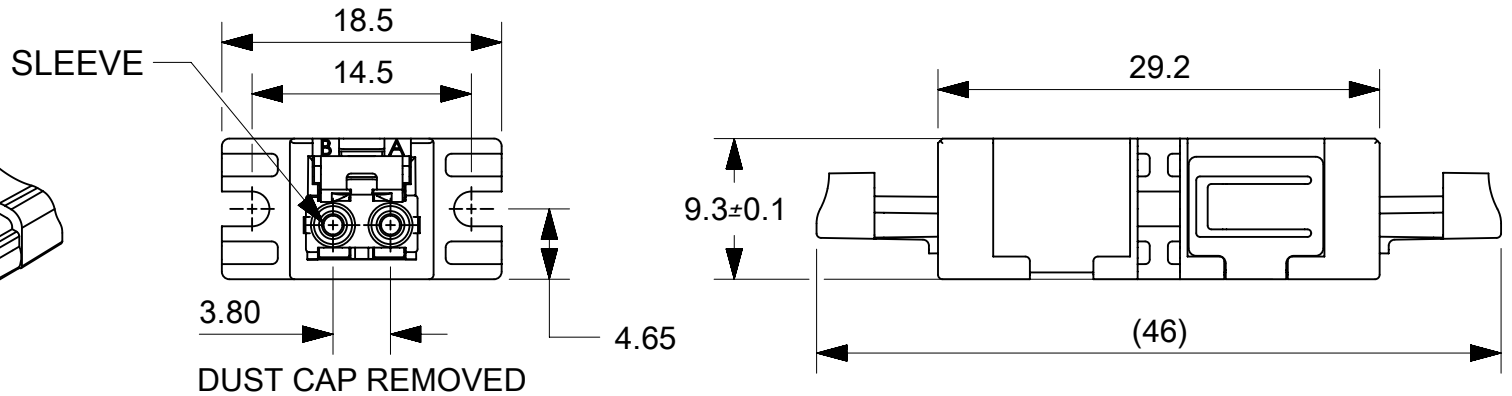
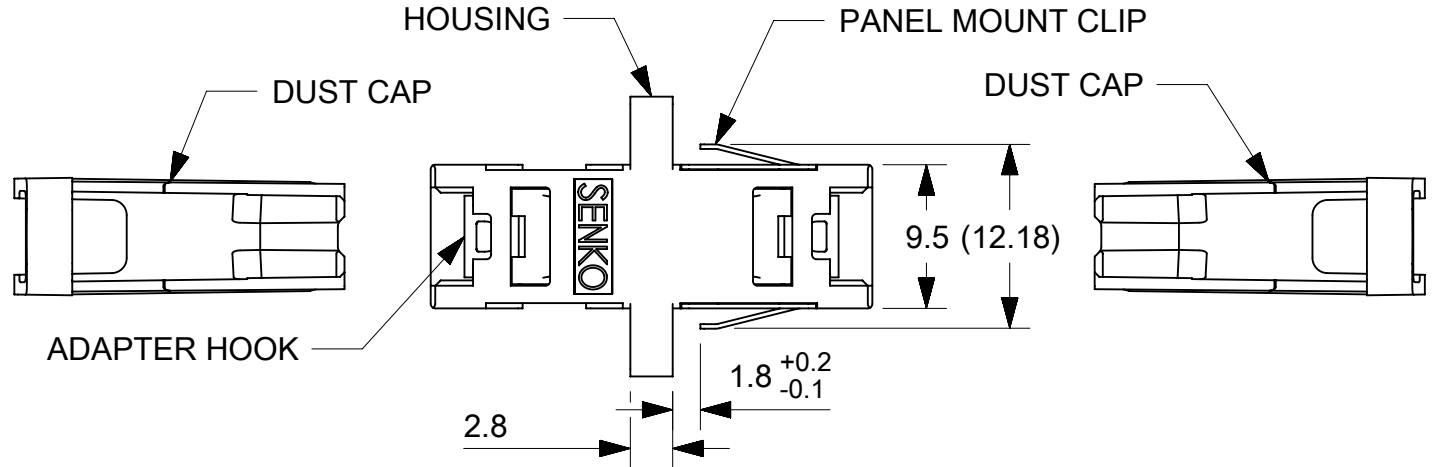
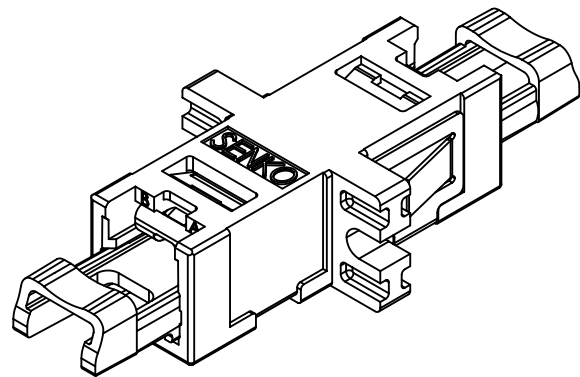


MOLEX P/N	COLOR
1060291001	BLUE
1060291004	AQUA(OM3)



MOUNTING HOLE DIMENSIONS
(REFERENCE ONLY)
PANEL THICKNESS 1.7mm MAX



NOTES:

1. ALL MATERIALS ARE COMPLIANT TO RoHS, REACH SVHC AND UL 94 V-0.
2. INTERFACE DIMENSIONS COMPLIANT TO TYPE CS FAMILY SPECIFICATION.

SYMBOLS										THIS DRAWING CONTAINS INFORMATION THAT IS PROPRIETARY TO MOLEX ELECTRONIC TECHNOLOGIES, LLC AND SHOULD NOT BE USED WITHOUT WRITTEN PERMISSION									
DIMENSION UNITS		SCALE		CURRENT REV DESC:															
$\nabla = 0$	mm	1:2		EC NO: 617281 DRWN: SDXIE 2019/05/15 CHK'D: IGUMIN 2019/05/16 APPR: IGUMIN 2019/05/16 INITIAL REVISION: DRWN: SDXIE 2018/10/18 APPR: IGUMIN 2018/10/30															
GENERAL TOLERANCES (UNLESS SPECIFIED)																			
$\nabla = 0$	ANGULAR TOL ± 3.0°																		
$\nabla = 0$	4 PLACES	±																	
$\nabla = 0$	3 PLACES	±																	
$\nabla = 0$	2 PLACES	± 0.1																	
$\nabla = 0$	1 PLACE	± 0.2																	
$\nabla = 0$	0 PLACES	±																	
$\nabla = 0$	DRAFT WHERE APPLICABLE MUST REMAIN WITHIN DIMENSIONS			THIRD ANGLE PROJECTION		DRAWING		SERIES		MATERIAL NUMBER		CUSTOMER		SHEET NUMBER					
$\nabla = 0$					A4-SIZE		106029		SEE TABLE				1 OF 1						

molex

CS 2F SINGLE CHANNEL W/FLG

PRODUCT CUSTOMER DRAWING

DOCUMENT NUMBER	DOC TYPE	DOC PART	REVISION
1060291001	PSD	000	B