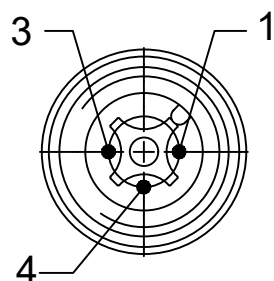


**MALE FACE VIEW
3-POLE**

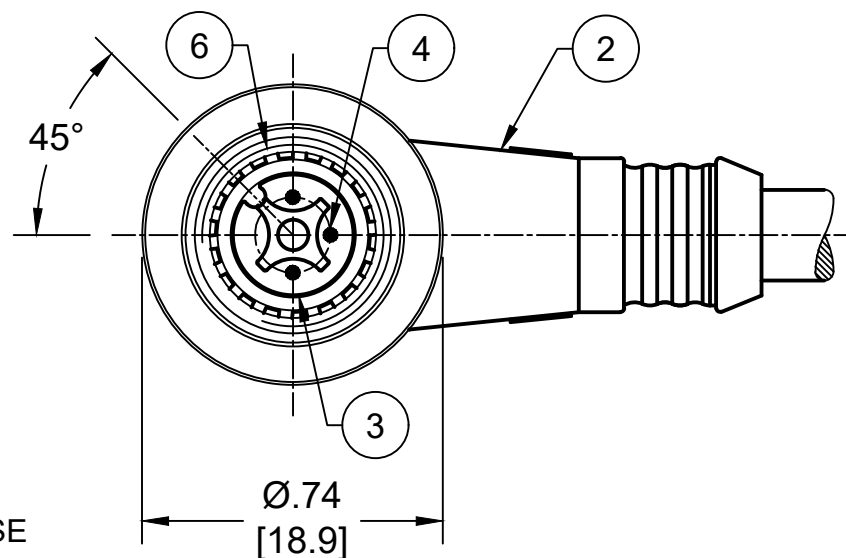
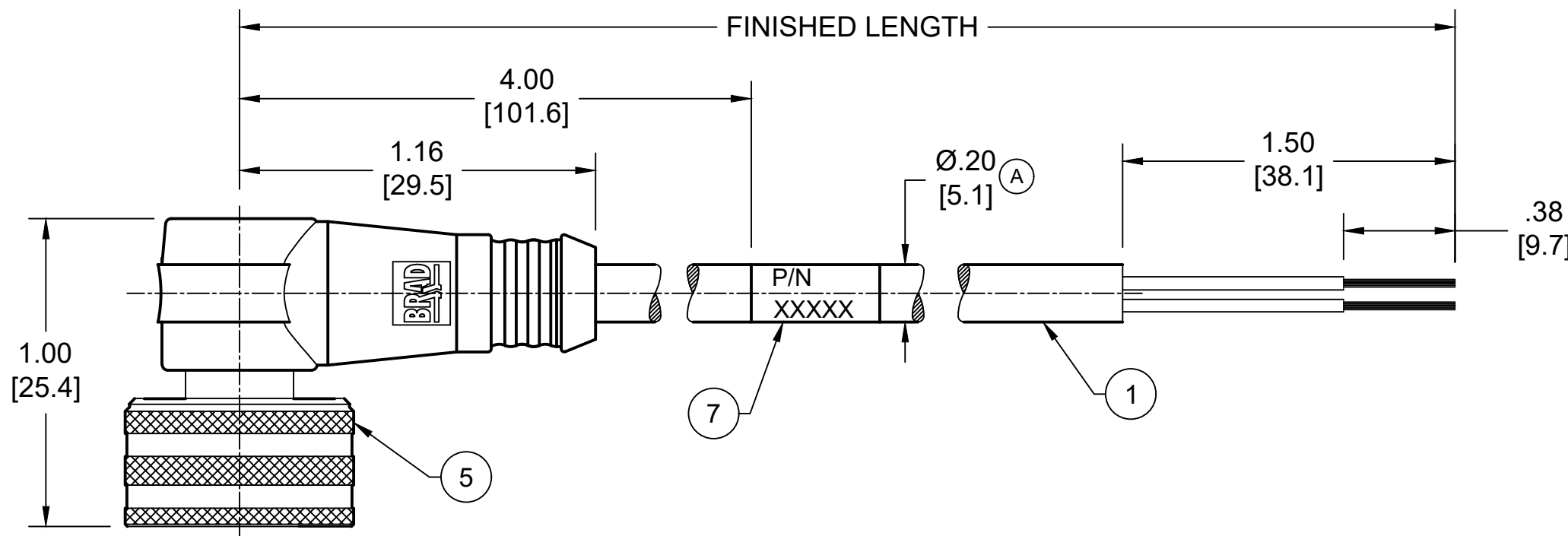


WIRING DIAGRAM

1 BROWN
3 BLUE
4 BLACK

NOTES:

1. MATERIAL: AS NOTED
2. FINISH: AS NOTED
3. ELECTRICAL:
VOLTAGE: 250V
CURRENT: 4A
4. TEMP RATING: -20°TO +105°C
5. PROTECTION: IP67/69K (WHEN MATED)
6. CSA CERTIFIED FILE: LR6837 (A)
7. ALL DIMENSIONS ARE FOR REFERENCE
UNLESS TOLERANCED OR NOTED OTHERWISE



(A) PART NO	ENGINEERING NO.	FINISHED LENGTH
1200790025	W03007A09M010	1M [3FT 3 IN]
1200790222	W03007A09M050	5M [16FT 5 IN]
1200790224	W03007A09M100	10M [32FT 10 IN]

**PART NUMBER LEGEND
W03007A09M010**

FINISHED LENGTH
M005 = 0.5 METER
M010 = 1 METER
M100 = 10 METER

(A)

CABLE LENGTH TOLERANCES

<.3M [1FT]:	+19mm-0 [+ .75in-0]
.3 - .9M [1 - 3FT]:	+44.5mm-0 [+1.75in-0]
.9 - 1.8M [3 - 6FT]:	+55.6mm-0 [+2.19in-0]
1.8 - 3.7M [6 - 12FT]:	+88.9mm-0 [+3.50in-0]
3.7 - 7.3M [12 - 24FT]:	+165.1mm-0 [+6.50in-0]
7.3-14.6M [24 - 48FT]:	+317.5mm-0 [+12.50in-0]
14.6 - 30.5M [48-100FT]:	+622.3mm-0 [+24.50in-0]
OVER 30M [100FT]	+2% OF FINISHED LENGTH

7	WRAP LABEL	VINYL	BLACK/YELLOW	(A)
6	O-RING	VITON	GREEN	
5	COUPLER	BRASS	NICKEL PLATED	
4	CONTACT PIN	COPPER ALLOY	GOLD OVER NICKEL	
3	MALE INSERT	PUR	BLACK	(A)
2	OVERMOLD	PUR	YELLOW	
1	#22 AWG CABLE	PVC JACKET	YELLOW	
ITEM	DESCRIPTION	MATERIAL	FINISH	

FUNCTIONAL SYMBOLS $F_A=0$ $F_P=0$ $F_P=0$ DIVISIONAL SYMBOLS	THIS DRAWING CONTAINS INFORMATION THAT IS PROPRIETARY TO MOLEX ELECTRONIC TECHNOLOGIES, LLC AND SHOULD NOT BE USED WITHOUT WRITTEN PERMISSION		molex MICRO-CHANGE ULTRA LOCK, M12 3-POLE, MALE, 90DEG, SINGLE KEY, #22 AWG	
	DIMENSION UNITS INCH/MM SCALE NTS	GENERAL TOLERANCES (UNLESS SPECIFIED)		
	4 PLACES ±--- ±--- 3 PLACES ±--- ±--- 2 PLACES ±--- ±--- 1 PLACE ±--- ±--- 0 PLACES ±--- ±---	mm INCH ±--- ±--- ±--- ±--- ±--- ±--- ±--- ±---	EC NO: 702709 DRWN: ABENJAMINLW 2021/07/23 CHK'D: RSTONE 2022/04/11 APPR: BWOODMAN 2022/04/16	PRODUCT CUSTOMER DRAWING
	DRAFT WHERE APPLICABLE MUST REMAIN WITHIN DIMENSIONS	THIRD ANGLE PROJECTION	DRAWING A3-SIZE SERIES 120079 MATERIAL NUMBER SEE CHART CUSTOMER GENERAL MARKET	DOCUMENT NUMBER SD-120079-028 DOC TYPE PSD DOC PART 001 REVISION A SHEET NUMBER 1 OF 1