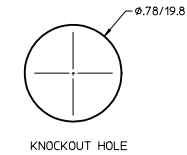
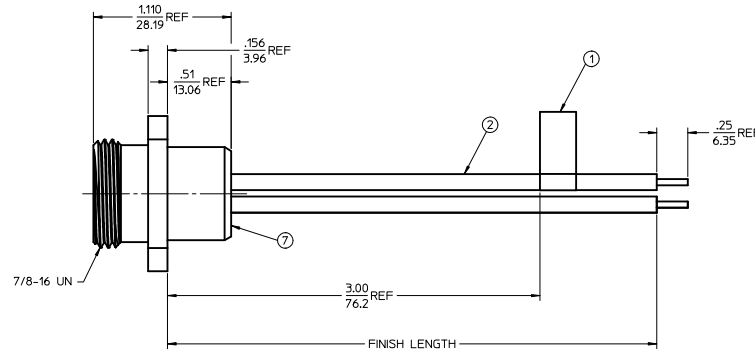
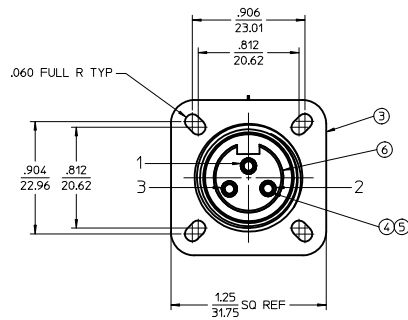
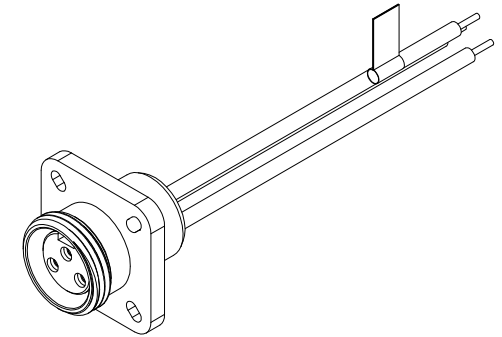


MATERIAL NUMBER	OLD PART NUMBER	FINISH LENGTH
130013-0273	1R3G04A20A120	1.0'+.75"-0 [1.3M+19.1-0]

VOLTAGE RATING	600 VAC/VDC
AMPERAGE RATING	13A
PROJECTION	IP67
OPERATING TEMPERATURE	-20° C TO 105° C
UL CERTIFICATIONS	UL RECOGNIZED, FILE NO. E152210
CSA CERTIFICATIONS	CSA CERTIFIED, FILE NO. LR6837



WIRING DIAGRAM

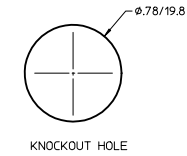
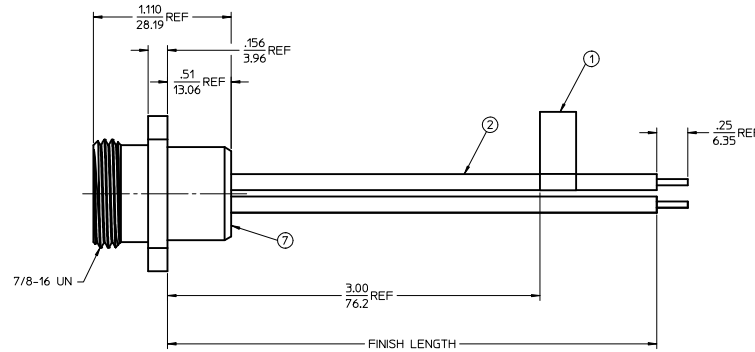
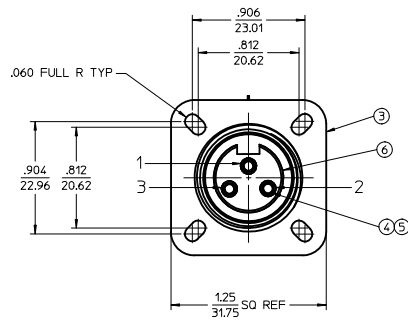
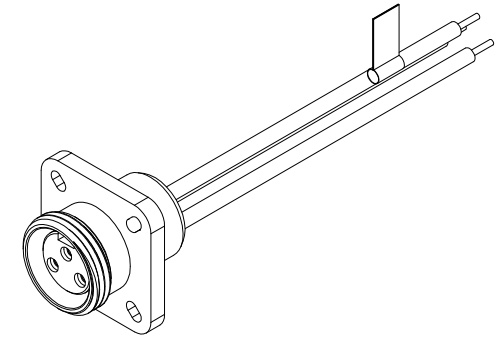
- 1 > GREEN/YELLOW-GND
- 2 > BLACK
- 3 > WHITE

ITEM.	QTY.	COMPONENT	MATERIAL	FINISH
1	1	FLAG LABEL	PLASTIC FILM	BLACK/YELLOW
2	3	CONDUCTOR-16 AWG, 26X#30 COPPER STRANDING 600V	PVC	SEE WIRING DIAGRAM
3	1	RECEPTACLE SHELL	ALUMINUM	ANODIZED
4	3	SOCKET SLEEVE	STAINLESS STEEL	
5	3	CONTACT SOCKET	COPPER ALLOY	GOLD PLATED
6	1	3 POLE INSERT	PVC	YELLOW
7	1	POTTING	EPOXY	BLACK

CREATE DOC EC NO: WNA2010-0423 DRAWN BY: B. RUPERT CHKD BY: WOODMAN APPR: J. MURPHY DATE: 2010/01/14	QUALITY SYMBOLS	GENERAL TOLERANCES (UNLESS SPECIFIED)	DIMENSION STYLE	SCALE	DESIGN UNITS	THIRD ANGLE PROJECTION
	4 PLACES ±.005 3 PLACES ±.005 2 PLACES ±0.013 1 PLACE ±.013 ANGULAR ±1/2°	mm INCH ±.005 ±.005 ±.013 ±.013 ±.013 ±.013	IN/MM 2:1 INCH	DRAWN BY: B. RUPERT CHECKED BY: B. WOODMAN APPROVED BY: J. MURPHY DATE: 01/07/2010 DATE: 01/07/2010 DATE: 2010/01/14	TITLE: FEMALE FLANGED RECEPTACLE MINI-CHANGE 3P 16AWG PVC	MATERIAL NO. SD-130013-016 DOCUMENT NO.
	DRAFT WHERE APPLICABLE MUST REMAIN WITHIN DIMENSIONS	SEE CHART	THIS DRAWING CONTAINS INFORMATION THAT IS PROPRIETARY TO MOLEX INCORPORATED AND SHOULD NOT BE USED WITHOUT WRITTEN PERMISSION			

MATERIAL NUMBER	OLD PART NUMBER	FINISH LENGTH
130013-0273	1R3G04A20A120	1.0'+.75"-0 [.3M+19.1-0]

VOLTAGE RATING	600 VAC/VDC
AMPERAGE RATING	13A
PROJECTION	IP67
OPERATING TEMPERATURE	-20° C TO 105° C
UL CERTIFICATIONS	UL RECOGNIZED, FILE NO. E152210
CSA CERTIFICATIONS	CSA CERTIFIED, FILE NO. LR6837



WIRING DIAGRAM

- 1 GREEN/YELLOW-GND
- 2 BLACK
- 3 WHITE

ITEM.	QTY.	COMPONENT	MATERIAL	FINISH
1	1	FLAG LABEL	PLASTIC FILM	BLACK/YELLOW
2	3	CONDUCTOR-16 AWG, 26X#30 COPPER STRANDING 600V	PVC	SEE WIRING DIAGRAM
3	1	RECEPTACLE SHELL	ALUMINUM	ANODIZED
4	3	SOCKET SLEEVE	STAINLESS STEEL	
5	3	CONTACT SOCKET	COPPER ALLOY	GOLD PLATED
6	1	3 POLE INSERT	PVC	YELLOW
7	1	POTTING	EPOXY	BLACK

CREATE DOC EC NO: WNA2010-0423 DRAWN BY: B. RUPERT CHKD BY: WOODMAN APPR: J. MURPHY DATE: 2010/01/14	QUALITY SYMBOLS	GENERAL TOLERANCES (UNLESS SPECIFIED)	DIMENSION STYLE	SCALE	DESIGN UNITS	THIRD ANGLE PROJECTION
	4 PLACES ±.005 3 PLACES ±.005 2 PLACES ±0.013 1 PLACE ±.013 ANGULAR ±1/2°	mm INCH ±.005 ±.005 ±.013 ±.013 ±.013 ±.013	IN/MM 2:1 INCH	DRAWN BY: B. RUPERT CHECKED BY: B. WOODMAN APPROVED BY: J. MURPHY DATE: 01/07/2010 DATE: 01/07/2010 DATE: 2010/01/14	TITLE	FEMALE FLANGED RECEPTACLE MINI-CHANGE 3P 16AWG PVC
	DRAFT WHERE APPLICABLE MUST REMAIN WITHIN DIMENSIONS	SEE CHART	MATERIAL NO.	DOCUMENT NO.	MOLEX INCORPORATED SD-130013-016	
			SIZE D	THIS DRAWING CONTAINS INFORMATION THAT IS PROPRIETARY TO MOLEX INCORPORATED AND SHOULD NOT BE USED WITHOUT WRITTEN PERMISSION		