

6

5

4

3

2

1

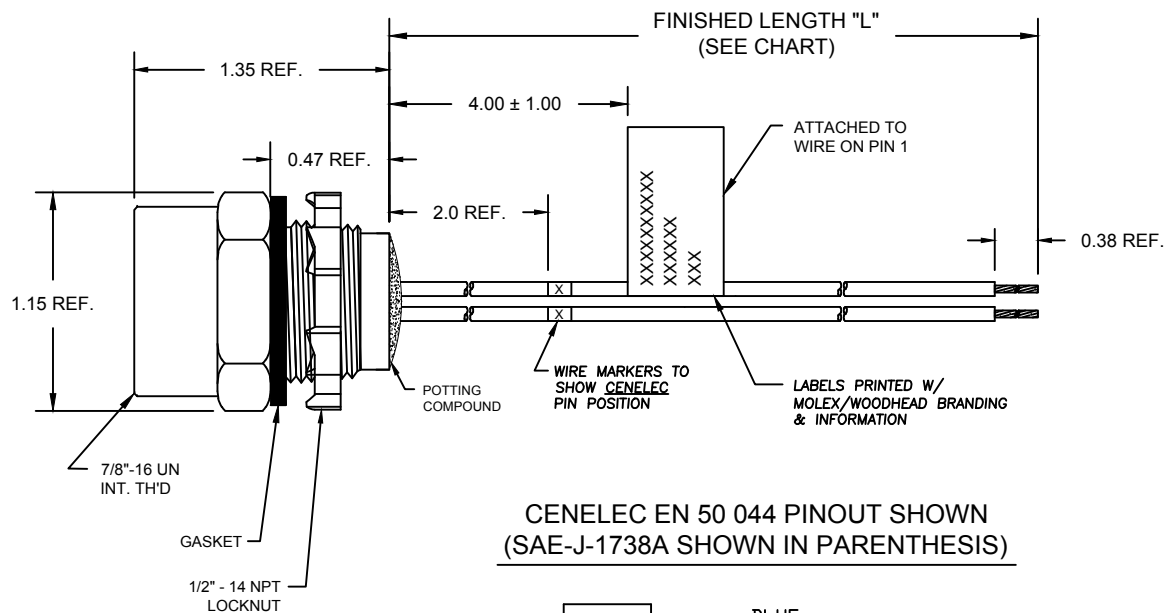
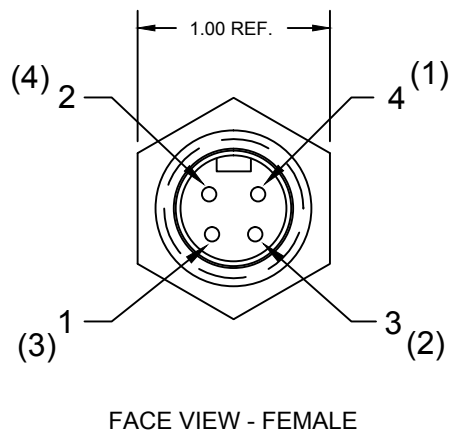
E

D

C

B

A



CENELEC EN 50 044 PINOUT SHOWN  
(SAE-J-1738A SHOWN IN PARENTHESIS)

1 (3)	BLUE
2 (4)	BLUE/YELLOW
3 (2)	WHITE/BLUE
4 (1)	BLUE/WHITE

MOLEX SAP P/N#	ENGINEERING P/N#	"L" (Meters)	"L" (INCH)	TOLERANCE (INCH)
1300131028	1R4000AA0M020D	2.0 M	78.74"	+3.50"/-0.00"
1300131030	1R4000AA0M040D	4.0 M	157.48"	+6.50"/-0.00"

**SPECIFICATIONS:**

SHELL MATERIAL: NICKEL-PLATED ZINC DIECAST  
 CONTACT MATERIAL: GOLD/NICKEL OVER COPPER ALLOY  
 INSERT MATERIAL: YELLOW TPE  
 LOCKNUT: ZINC-PLATED STEEL  
 GASKET: BLACK NEOPRENE

WIRES: #16-1, PVC LEADS  
 ASSEMBLY RATING: 600V, 10A

ENVIRONMENTAL: -20°C TO 105°C  
 IP67 WHEN MATED

AGENCY APPROVALS: UL LISTED

CENELEC PINOUT EC NO: IPC62012-1061 6/14/12 DRWN: VOU CHKD: BWOODMAN APPR: JFMURPHY 2012/03/08	QUALITY SYMBOLS ▽=0 ▽C=0	GENERAL TOLERANCES (UNLESS SPECIFIED)		DIMENSION STYLE INCH		SCALE 1:1	DESIGN UNITS INCH	THIRD ANGLE PROJECTION	
			mm	INCH	DRAWN BY VOU	DATE 2010/12/10	TITLE MINI-CHANGE RECEPTACLE 4P F/FR 1/2 NPT MOUNT #16-1 PVC WIRES		
		4 PLACES	±---	±---	CHECKED BY BWOODMAN	DATE 2010/12/14	MOLEX INCORPORATED		
		±0.13	±0.010	APPROVED BY JFMURPHY	DATE 2012/03/08	DOCUMENT NO. SD-130013-028			
		±0.25	±0.020	MATERIAL NO. SEE CHART		SHEET NO. 1 OF 1			
3	REV	ANGULAR ±1/2°		SIZE A		THIS DRAWING CONTAINS INFORMATION THAT IS PROPRIETARY TO MOLEX INCORPORATED AND SHOULD NOT BE USED WITHOUT WRITTEN PERMISSION			
DRAFT WHERE APPLICABLE MUST REMAIN WITHIN DIMENSIONS									

6

5

4

3

2

1

E

D

C

B

A