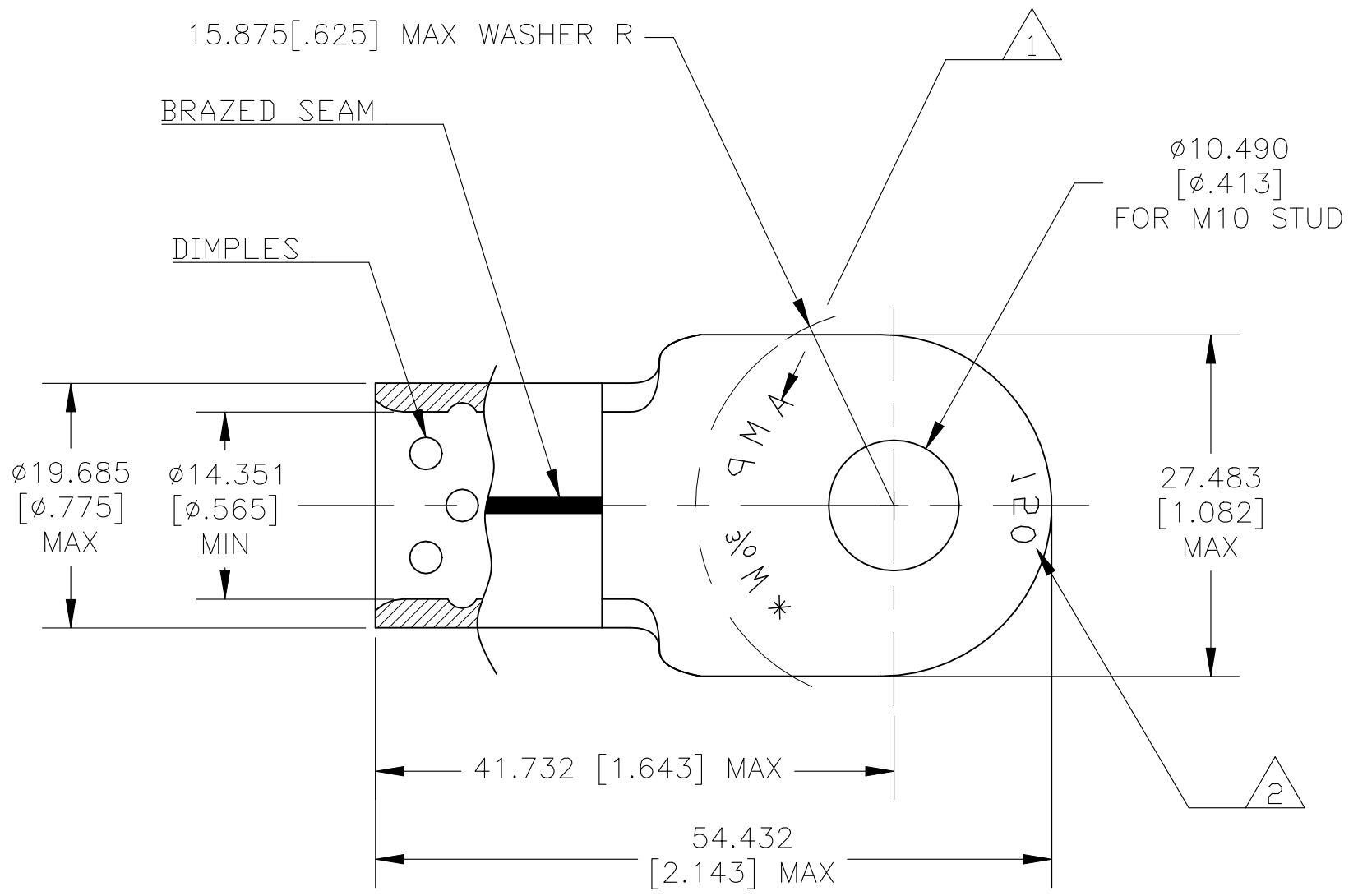


© - TE Connectivity. All Rights Reserved.

REVISIONS				
P	LTR	DESCRIPTION	DATE	APVD
	A2	REVISED PER ECR-23-168347	14APR2023	BB DSC

AMP WIRE RANGE	Listed FILE E13288	LR7189 Certified
3/0 AWG SOLID OR STRANDED	3/0 AWG STRANDED	3/0 AWG SOLID OR STRANDED



- 1 STAMP "AMP3/0W*", APPROX AS SHOWN.
- 2 STAMP "150", APPROX AS SHOWN.
- 3 BODY MATERIAL THK: 2.311±0.076[.091±.003]
- 4 MATERIAL:
COPPER PER ASTM B152, ANNEALED
- 5 FINISH:
TIN PLATE 0.00254 [.000100] MIN EXT THK
PER ASTM B545

150	LOOSE PIECE	160003
QTY	PACKAGE TYPE	PART NO

CUSTOMER SERVICE SYSTEMS		MAX RECOMMENDED OPERATING TEMPERATURE: 170°C [338°F]	THIS DRAWING IS A CONTROLLED DOCUMENT.		DWN jr_ruth 26JAN10	TE Connectivity		
FOR ADDITIONAL PRODUCT INFORMATION OR COPIES OF DRAWINGS AND TECHNICAL DOCUMENTS	PRODUCT INFORMATION CENTER 1-800-522-6752	VOLTAGE RATING: N/A	DIMENSIONS: MM [INCHES]	TOLERANCES UNLESS OTHERWISE SPECIFIED:	CHK TOM MICHIELUTTI 26JAN10			
FOR APPLICATION TOOLING INFORMATION	TOOLING ASSISTANCE CENTER 1-800-722-1111	CIRCULAR MIL AREA: 76.3-96.3mm² [150,500-190,000] SOLID OR STRANDED		0 PLC ± - 1 PLC ± - 2 PLC ± - 3 PLC ± 0.127[.005] 4 PLC ± - ANGLES ± -	APVD TOM MICHIELUTTI 26JAN10	PRODUCT SPEC		
FOR ORDER ENTRY	1-800-526-5142	THIS DRAWING IS A CONTROLLED DOCUMENT FOR AMP INCORPORATED. IT IS SUBJECT TO CHANGE AND THE CONTROLLING ENGINEERING ORGANIZATION SHOULD BE CONTACTED FOR THE LATEST REVISION.	MATERIAL	FINISH	APPLICATION SPEC			RESTRICTED TO
			4	5	UL 486A-B			SIZE
					A300779			CAGE CODE
					G-160003			DRAWING NO
					CUSTOMER DRAWING			SCALE
								3:1
								SHEET
								1 OF 1
								REV
								A2