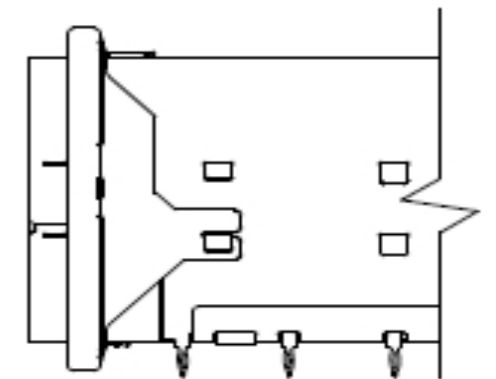
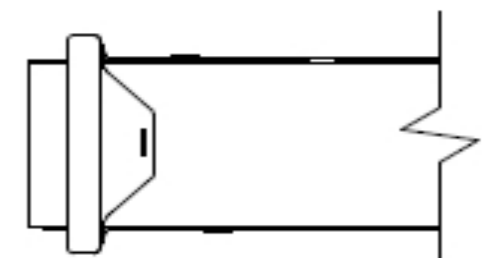
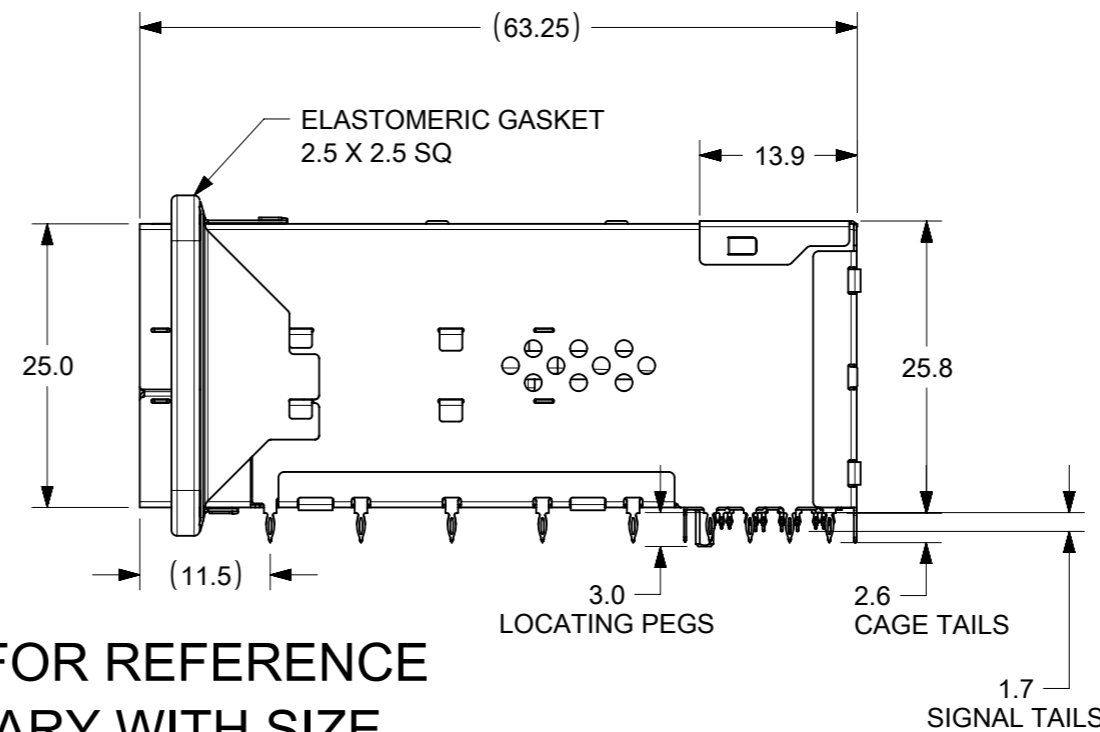


NOTES:

1. MATERIAL:
 CAGE: NICKEL SILVER
 CONNECTOR HOUSING: GLASS FILLED THERMOPLASTIC, UL: 94V-0, COLOR: BLACK
 LIGHT PIPES: POLYCARBONATE, 94 HB, COLOR: CLEAR (WEIGHT OF INDIVIDUAL LIGHT PIPE LESS THAN 1 GRAM)
 TERMINALS: HIGH PERFORMANCE COPPER ALLOY
 FRONT SHIELD WALL: COPPER ALLOY
 LIGHT PIPE HOUSING: ZINC ALLOY
 ELASTOMERIC GASKET: SILVER IMPREGNATED SILICONE
2. FINISH
 TERMINALS: CONTACT AREA: 0.76 μm MIN. HARD GOLD OVER 3.8 μm MIN. NICKEL.
 COMPLIANT TAIL: 0.7-1.5 μm MATTE TIN OVER 0.7-1.5 μm NICKEL
 FRONT SHIELD WALL: 0.7-1.5 μm NICKEL OVERALL
 LIGHT PIPE HOUSING: 2.0 μm NICKEL OVER 0.7 μm COPPER
3. 2X4 CONFIGURATION SHOWN FOR REFERENCE, SEE CHART FOR AVAILABLE OPTIONS
4. REFER TO PS-170071-0001 FOR ALL ELECTRICAL, MECHANICAL AND ENVIRONMENTAL SPECIFICATIONS.
5. REFER TO AS-170071-0001 FOR CONNECTOR MOUNTING AND REWORK INFORMATION.
6. REFER TO AS-170071-0002 FOR PCB ROUTING RECOMMENDATIONS.
7. ALL VISIBLE EXTERIOR SURFACES TO BE CLASS "B" (BOTTOM OF CONNECTOR IS CLASS "C")
 CAGE SURFACES TO CONFORM TO THE MOLEX COSMETIC DOC PS-45499-002.



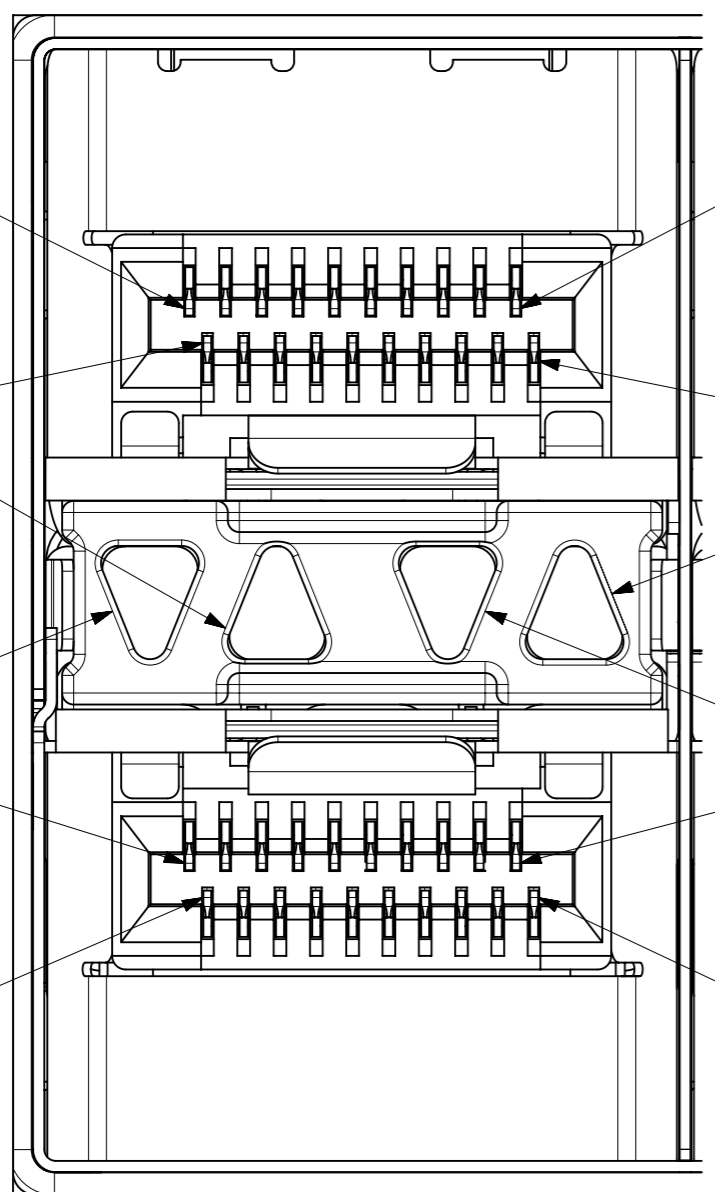
170071-101*
APPEARANCE

170071-40** SHOWN FOR REFERENCE
APPEARANCE MAY VARY WITH SIZE

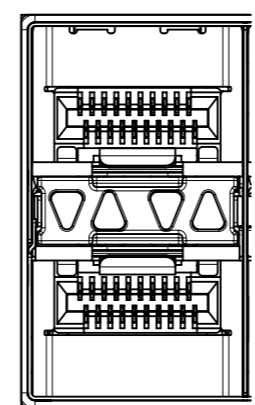
NUMBER OF PORTS	PART NUMBER	DIM X	DIM Y
2X1	170071101*	14.50	15.10
2X2	170071201*	28.75	29.35
2X4	170071401*	57.25	57.85
2X6	170071601*	85.75	86.35
2X8	170071801*	114.25	114.85
2X8	170071121*	171.25	171.85

* DESIGNATES LIGHT PIPE CONFIGURATIONS, SEE SHEET 2.

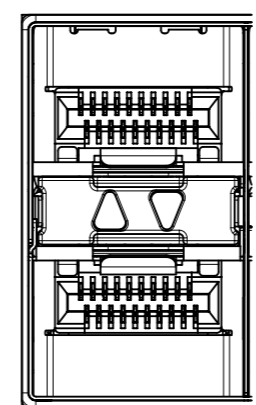
THIS DRAWING CONTAINS INFORMATION THAT IS PROPRIETARY TO MOLEX ELECTRONIC TECHNOLOGIES, LLC AND SHOULD NOT BE USED WITHOUT WRITTEN PERMISSION		CURRENT REV DESC: ADD REMARKS IN NOTE		molex	
DIMENSION UNITS	SCALE	NOTE			
mm	NTS			ZSFP+ STACKED ASSY METAL SPRING FINGER	
GENERAL TOLERANCES (UNLESS SPECIFIED)		EC NO: 173046		PRODUCT CUSTOMER DRAWING	
ANGULAR TOL ± 0.5°		DRWN: DTAN10 2018/03/01		DOCUMENT NUMBER	
4 PLACES ±		CHK'D: HCGOH 2018/03/05		1700710002	
3 PLACES ±		APPR: SHONG 2018/03/06		DOC TYPE	
2 PLACES ± 0.13		INITIAL REVISION:		PSD	
1 PLACE ± 0.25		DRWN: DTAN10 2018/03/01		DOC PART	
0 PLACES ±		APPR: SHONG 2018/03/06		000	
DRAFT WHERE APPLICABLE MUST REMAIN WITHIN DIMENSIONS		THIRD ANGLE PROJECTION		REVISION	
		DRAWING		A	
		SERIES		SHEET NUMBER	
		A3-SIZE 170071		1 OF 4	
		MATERIAL NUMBER		CUSTOMER	
		SEE TABLE		GENERAL MARKET	



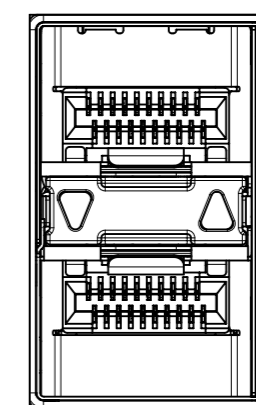
T20 T11
 T1 T10
 INNER LIGHT PIPE OUTER LIGHT PIPE
 L10 L1
 L11 L20



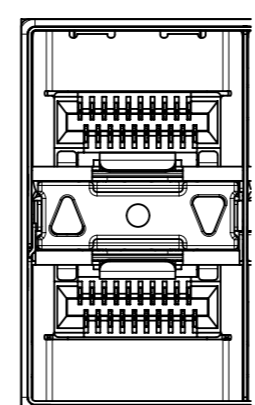
4 LIGHT PIPES
170071-**11



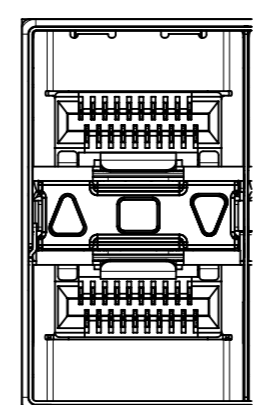
INNER 2 LIGHT PIPES
170071-**12



OUTER 2 LIGHT PIPES
DOWN / UP
170071-**13



OUTER 2 LIGHT PIPES
UP / DOWN
170071-**14

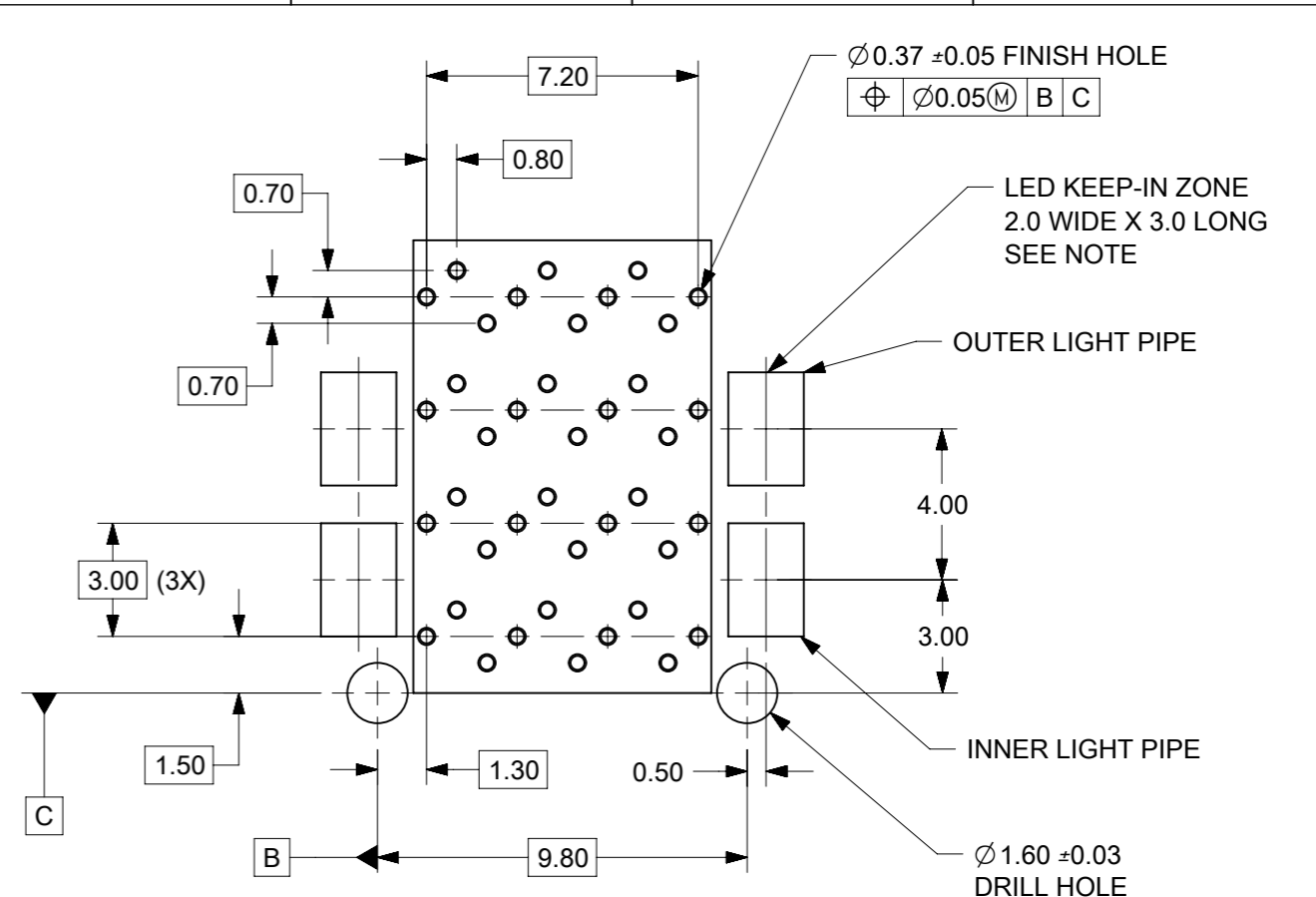
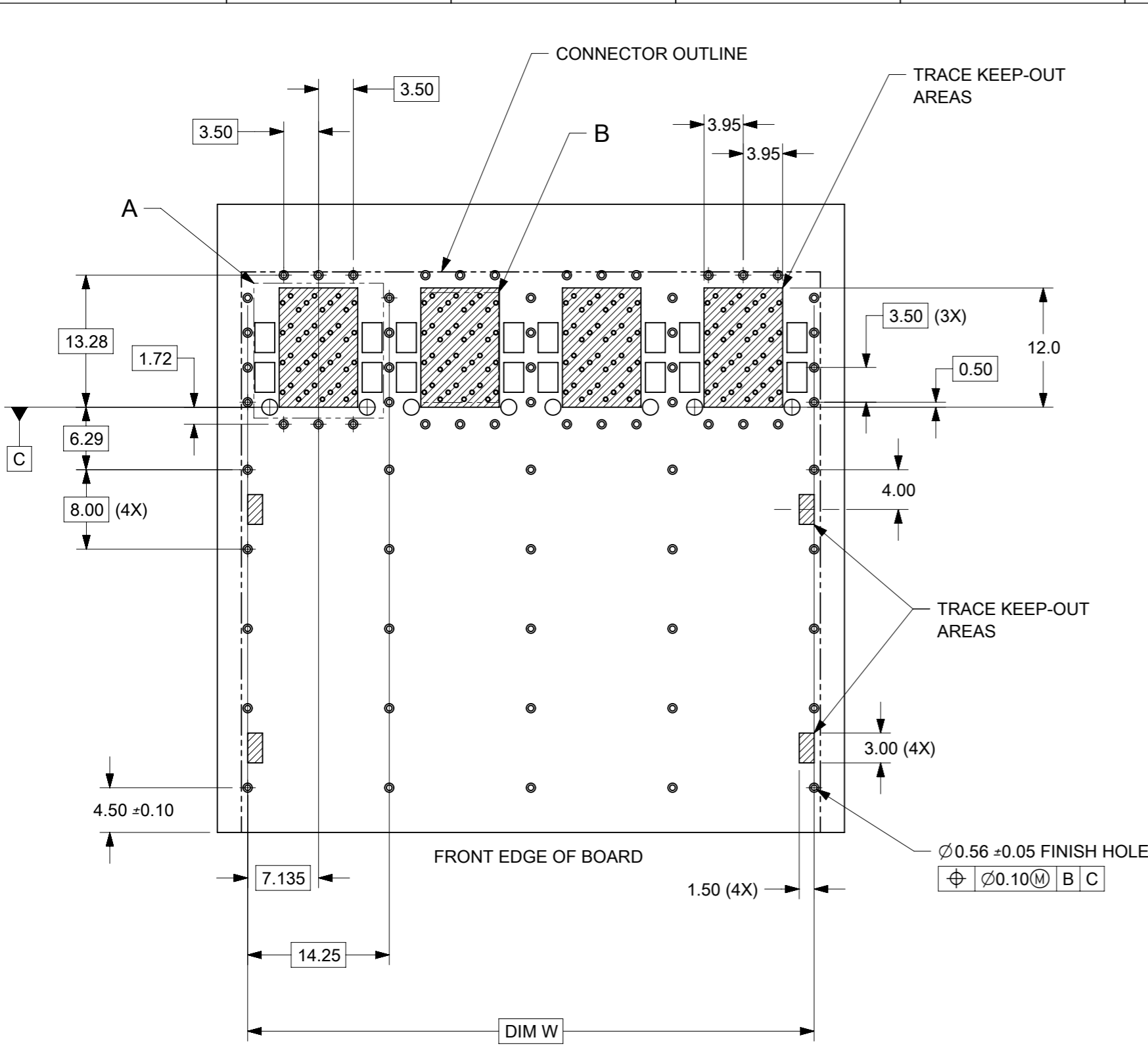


3 LIGHT PIPES
UP / MIDDLE / DOWN
170071-**15

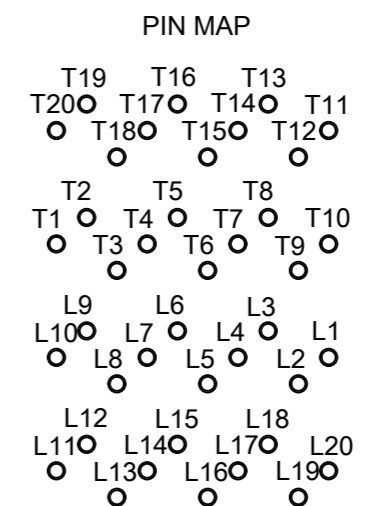
PART NUMBER	DESCRIPTION
170071-**11	4 LIGHT PIPES
170071-**12	INNER 2 PORTS
170071-**13	OUTER DOWN/UP
170071-**14	OUTER UP/DOWN
170071-**15	3 LIGHT PIPES

** DESIGNATES PORT SIZE

THIS DRAWING CONTAINS INFORMATION THAT IS PROPRIETARY TO MOLEX ELECTRONIC TECHNOLOGIES, LLC AND SHOULD NOT BE USED WITHOUT WRITTEN PERMISSION		CURRENT REV DESC: ADD REMARKS IN NOTE			
DIMENSION UNITS	SCALE	NOTE			
mm	NTS			ZSFP+ STACKED ASSY METAL SPRING FINGER	
GENERAL TOLERANCES (UNLESS SPECIFIED)		EC NO: 173046		PRODUCT CUSTOMER DRAWING	
ANGULAR TOL	± 0.5°	DRWN: DTAN10	2018/03/01	DOCUMENT NUMBER	
4 PLACES	±	CHK'D: HCGOH	2018/03/05	1700710002	
3 PLACES	±	APPR: SHONG	2018/03/06	DOC TYPE	DOC PART
2 PLACES	± 0.13	INITIAL REVISION:		PSD	000
1 PLACE	± 0.25	DRWN: DTAN10	2018/03/01	REVISION	
0 PLACES	±	APPR: SHONG	2018/03/06	A	
DRAFT WHERE APPLICABLE MUST REMAIN WITHIN DIMENSIONS		THIRD ANGLE PROJECTION	DRAWING	SERIES	MATERIAL NUMBER
			A3-SIZE	170071	SEE TABLE
				CUSTOMER	SHEET NUMBER
				GENERAL MARKET	2 OF 4



DETAIL A
SCALE 5:1

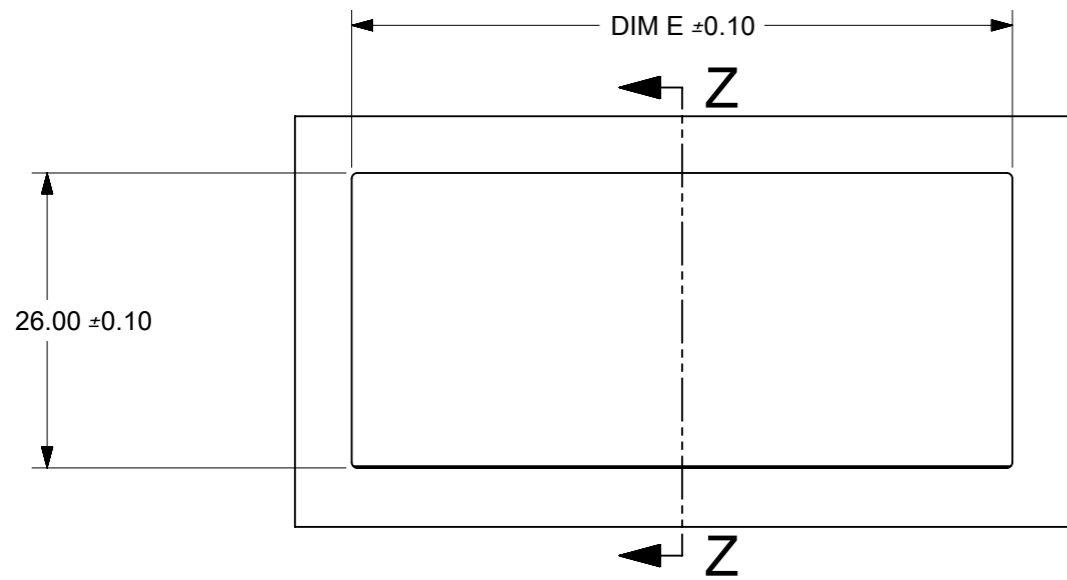


DETAIL B
SCALE 5:1

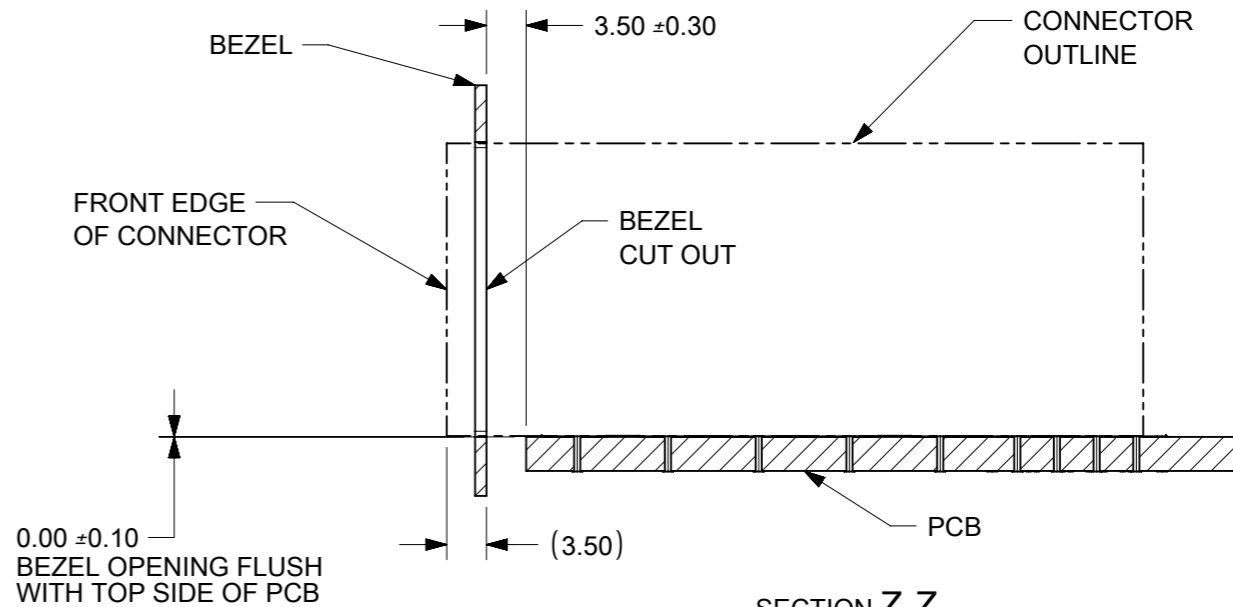
PORT SIZE	DIM W	HOLE CHART		
		SIGNALS (Ø0.37)	EMI CAGE (Ø0.56)	LOCATING PEG (Ø1.60)
2X1	14.25	40	24	2
2X2	28.50	80	39	4
2X4	57.00	160	69	8
2X6	85.50	240	99	12
2X8	114.00	320	129	16
2X12	171.00	480	189	24

NOTE:
LED PACKAGE SIZE AND POSITION SHALL NOT VIOLATE THE KEEP IN ZONE.
LED PLACEMENT SHOULD BE CENTERED WITHIN THE ZONE FOR OPTIMAL LIGHT TRANSMISSION BUT MAY BE SAFELY OFFSET ±0.50.

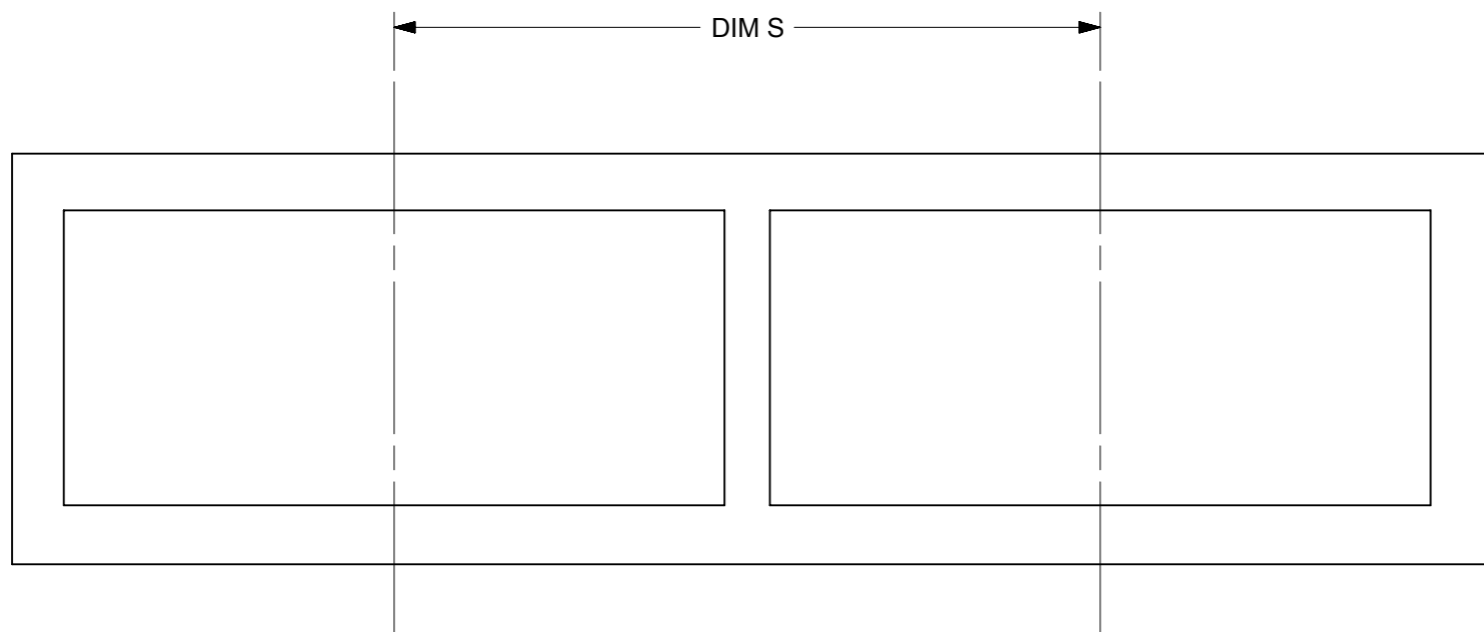
THIS DRAWING CONTAINS INFORMATION THAT IS PROPRIETARY TO MOLEX ELECTRONIC TECHNOLOGIES, LLC AND SHOULD NOT BE USED WITHOUT WRITTEN PERMISSION									
DIMENSION UNITS	SCALE	CURRENT REV DESC: ADD REMARKS IN NOTE							
mm	NTS	<div style="text-align: center;">molex</div> <p>ZSFP+ STACKED ASSY METAL SPRING FINGER</p> <p>PRODUCT CUSTOMER DRAWING</p>							
GENERAL TOLERANCES (UNLESS SPECIFIED)									
ANGULAR TOL	± 0.5°								
4 PLACES	±								
3 PLACES	±								
2 PLACES	± 0.13								
1 PLACE	± 0.25	EC NO: 173046	2018/03/01	<div style="text-align: center;">1700710002</div>					
0 PLACES	±	DRWN: DTAN10	2018/03/01						
DRAFT WHERE APPLICABLE MUST REMAIN WITHIN DIMENSIONS		THIRD ANGLE PROJECTION	DRAWING						
		A3-SIZE	SERIES	MATERIAL NUMBER	CUSTOMER	DOC TYPE	DOC PART	REVISION	SHEET NUMBER
			170071	SEE TABLE	GENERAL MARKET	PSD	000	A	3 OF 4



BEZEL CUT OUT DETAIL
BEZEL THICKNESS 0.8~2.6



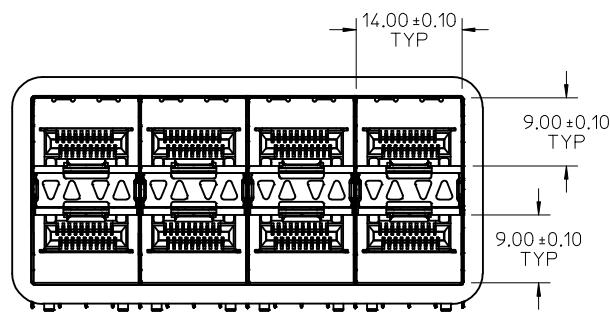
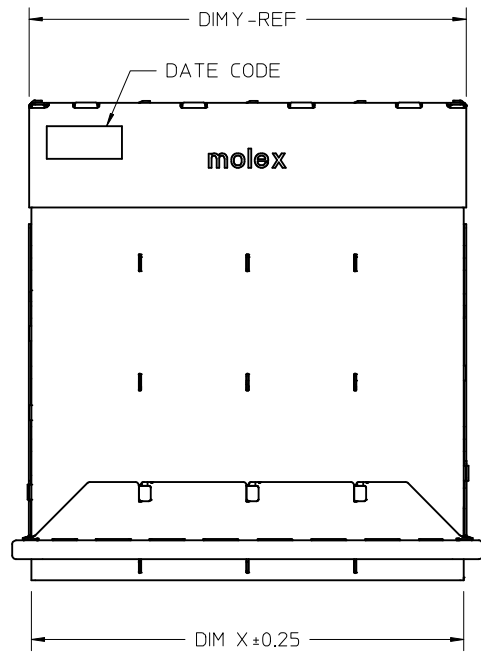
SECTION Z-Z



BEZEL CUT OUT FOR
CONNECTOR STACKING

CONFIGURATION	DIM E	DIM S
2X1	15.50	20.40 MINIMUM
2X2	29.75	34.65 MINIMUM
2X4	58.25	63.15 MINIMUM
2X5	72.50	77.40 MINIMUM
2X6	86.75	91.65 MINIMUM
2X8	115.25	120.15 MINIMUM
2X12	172.25	177.15 MINIMUM

THIS DRAWING CONTAINS INFORMATION THAT IS PROPRIETARY TO MOLEX ELECTRONIC TECHNOLOGIES, LLC AND SHOULD NOT BE USED WITHOUT WRITTEN PERMISSION									
DIMENSION UNITS	SCALE	CURRENT REV DESC: ADD REMARKS IN NOTE							
mm	NTS	NOTE							
GENERAL TOLERANCES (UNLESS SPECIFIED)					ZSFP+ STACKED ASSY METAL SPRING FINGER				
ANGULAR TOL	± 0.5°	EC NO: 173046			PRODUCT CUSTOMER DRAWING				
4 PLACES	±	DRWN: DTAN10 2018/03/01			DOCUMENT NUMBER				
3 PLACES	±	CHK'D: HCGOH 2018/03/05			1700710002				
2 PLACES	± 0.13	APPR: SHONG 2018/03/06			DOC TYPE				
1 PLACE	± 0.25	INITIAL REVISION:			PSD				
0 PLACES	±	DRWN: DTAN10 2018/03/01			DOC PART				
DRAFT WHERE APPLICABLE MUST REMAIN WITHIN DIMENSIONS					REVISION				
THIRD ANGLE PROJECTION					A				
DRAWING					SERIES				
A3-SIZE					170071				
MATERIAL NUMBER					CUSTOMER				
SEE TABLE					GENERAL MARKET				
SHEET NUMBER					4 OF 4				

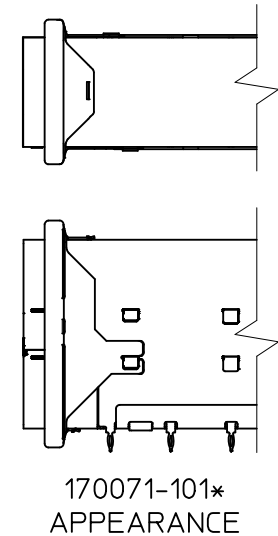
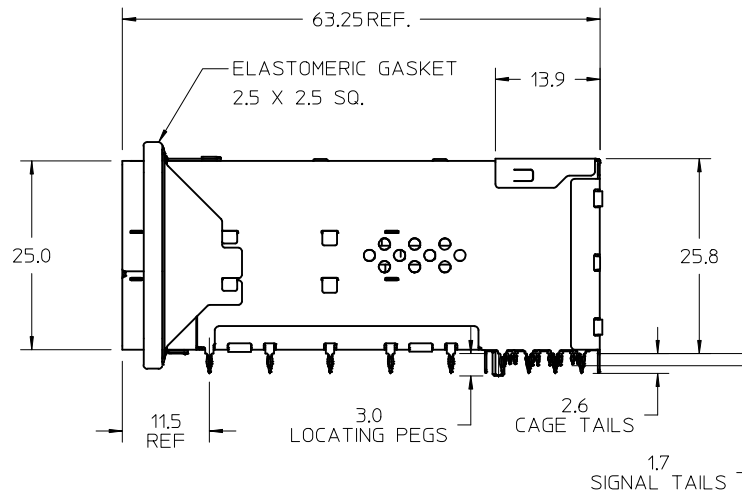


NUMBER OF PORTS	PART NUMBER	DIM X	DIM Y
2X1	170071101*	14.50	15.10
2X2	170071201*	28.75	29.35
2X4	170071401*	57.25	57.85
2X6	170071601*	85.75	86.35
2X8	170071801*	114.25	114.85
2X12	170071121*	171.25	171.85

*-DESIGNATES LIGHT PIPE CONFIGURATIONS, SEE SHEET 2

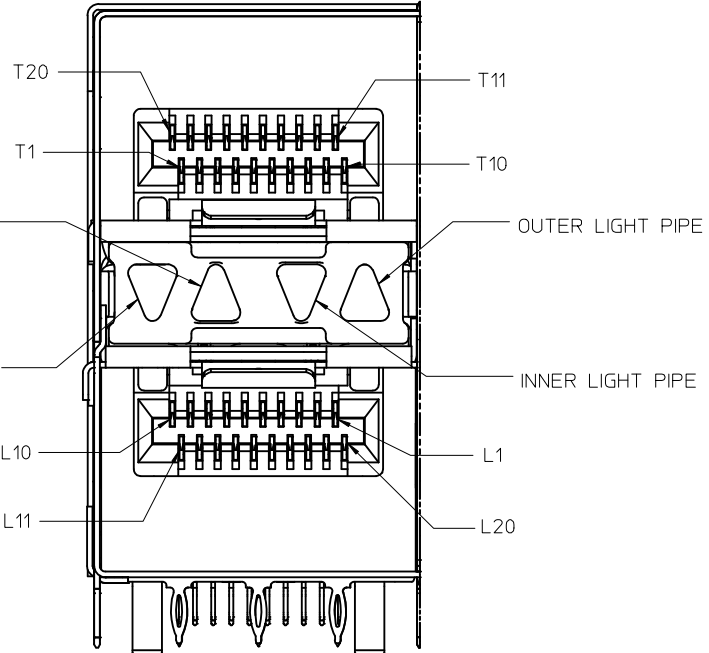
NOTES:

- MATERIAL:
 - CAGE: NICKEL SILVER
 - CONNECTOR HOUSING: GLASS FILLED THERMOPLASTIC, UL: 94V-0, COLOR: BLACK
 - LIGHT PIPES: POLYCARBONATE, 94 HB, COLOR: CLEAR
 - TERMINALS: HIGH PERFORMANCE COPPER ALLOY
 - FRONT SHIELD WALL: COPPER ALLOY
 - LIGHT PIPE HOUSING: ZINC ALLOY
 - ELASTOMERIC GASKET: SILVER IMPREGNATED SILICONE
- FINISH
 - TERMINALS: CONTACT AREA: 0.76 μm MIN. HARD GOLD OVER 3.8 μm MIN. NICKEL.
 - COMPLIANT TAIL: 0.7-1.5 μm MATTE TIN OVER 0.7-1.5 μm NICKEL
 - FRONT SHIELD WALL: 0.7-1.5 μm NICKEL OVERALL
 - LIGHT PIPE HOUSING: 2.0 μm NICKEL OVER 0.7 μm COPPER
- 2X4 CONFIGURATION SHOWN FOR REFERENCE, SEE CHART FOR AVAILABLE OPTIONS
- REFER TO PS-170071-0001 FOR ALL ELECTRICAL, MECHANICAL AND ENVIRONMENTAL SPECIFICATIONS.
- REFER TO AS-170071-0001 FOR CONNECTOR MOUNTING AND REWORK INFORMATION.
- REFER TO AS-170071-0002 FOR PCB ROUTING RECOMMENDATIONS.
- ALL VISIBLE EXTERIOR SURFACES TO BE CLASS "B" (BOTTOM OF CONNECTOR IS CLASS "C") CAGE SURFACES TO CONFORM TO THE MOLEX COSMETIC DOC PS-45499-002.

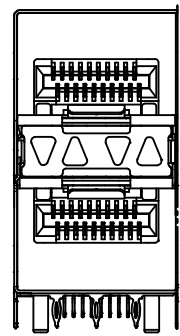


170071-40** SHOWN FOR REFERENCE
APPEARANCE MAY VARY WITH SIZE

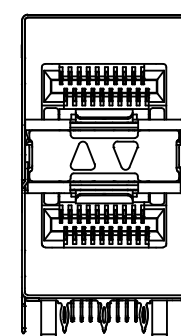
ADD APPEARANCE VIEWS EC NO: UCP2016-3736 DRWNS:VANG01 2016/03/24 CHKD:BBARKER 2016/03/24 APPR:SMILLER 2016/08/15	QUALITY SYMBOLS $\nabla = 0$ $\nabla = 0$ $\nabla = 0$	GENERAL TOLERANCES (UNLESS SPECIFIED)		DIMENSION STYLE MM ONLY		SCALE 2:1	DESIGN UNITS METRIC	THIRD ANGLE PROJECTION
		4 PLACES \pm --- \pm ---	mm	INCH	DRAWN BY JGONZALEZ01	DATE 2010/06/09	ZSFP+ STACKED ASSY WITH LIGHT PIPES AND ELASTOMERIC GASKET molex	
		3 PLACES \pm --- \pm ---			CHECKED BY JKACHLIC	DATE 2010/06/09		
		2 PLACES \pm 0.13 \pm ---			APPROVED BY MBANAKIS	DATE 2010/11/17		
1 PLACE \pm 0.25 \pm ---			MATERIAL NO. SEE CHART		DOCUMENT NO. SD-170071-0002			
		ANGULAR $\pm 1/2^\circ$		SIZE C		SHEET NO. 1 OF 4		
DRAFT WHERE APPLICABLE MUST REMAIN WITHIN DIMENSIONS THIS DRAWING CONTAINS INFORMATION THAT IS PROPRIETARY TO MOLEX INCORPORATED AND SHOULD NOT BE USED WITHOUT WRITTEN PERMISSION								



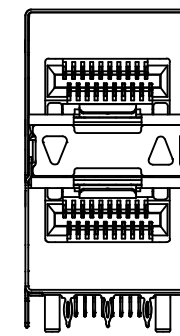
Partial4
SCALE 6:1



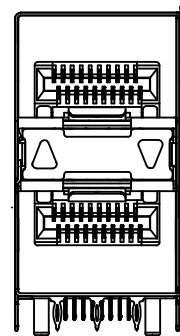
4 LIGHT PIPE
170071-**11



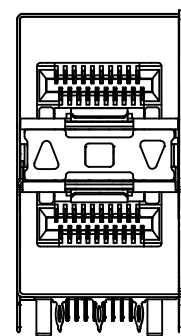
INNER LIGHT PIPE
170071-**12



OUTER DOWN/UP
170071-**13



OUTER UP/DOWN
170071-**14

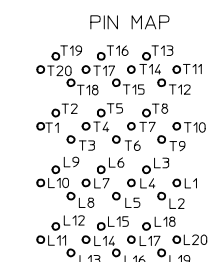
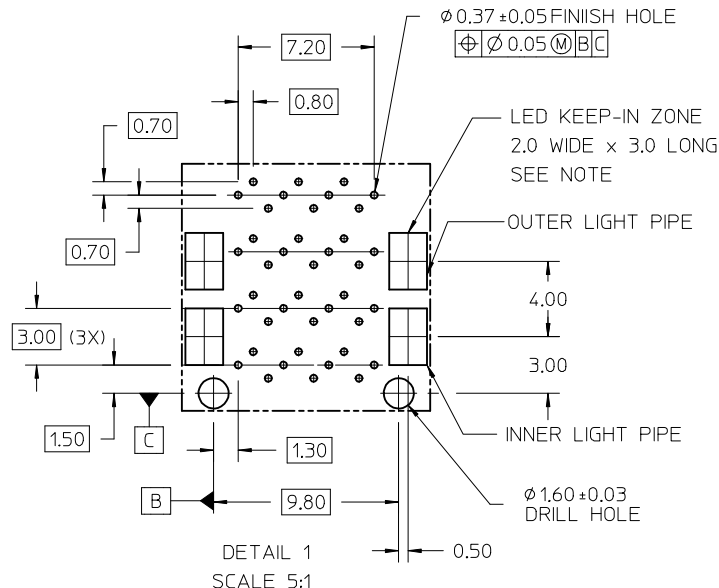
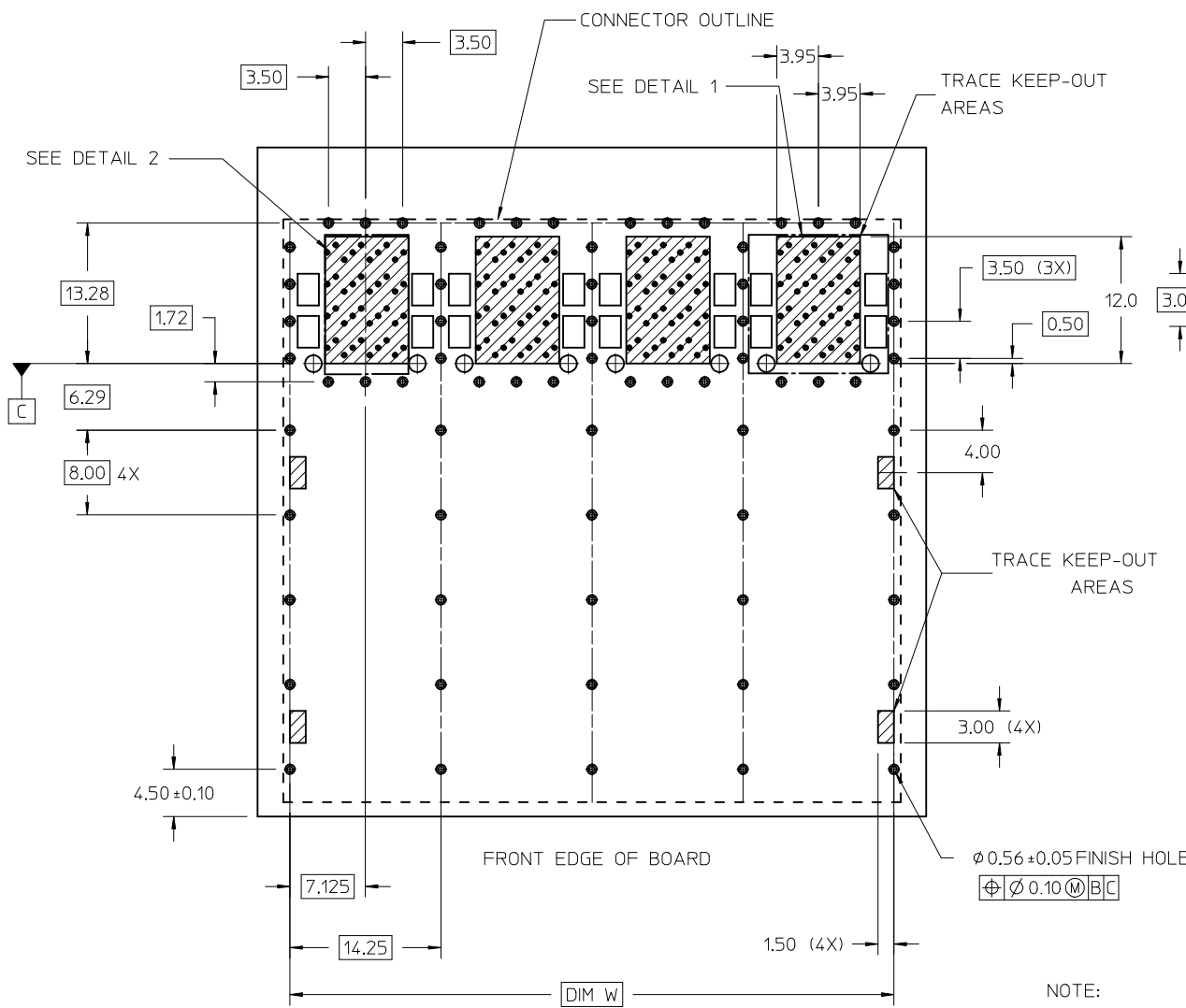


3 LIGHT PIPE
UP / MIDDLE / DOWN
170071-**15

PART NUMBER	DESCRIPTION
170071-**11	4 LIGHT PIPES
170071-**12	INNER 2 PORTS
170071-**13	OUTER DOWN/UP
170071-**14	OUTER UP/DOWN
170071-**15	3 LIGHT PIPES

** - DESIGNATES PORT SIZE

SEE SHEET 1 EC NO: UCP2016-3736 DRWNS:VANG01 2016/03/24 CHKD:BBARKER 2016/03/24 APPR:SMILLER 2016/08/15	QUALITY SYMBOLS ▽=0 ▽=0 ▽=0	GENERAL TOLERANCES (UNLESS SPECIFIED) <table border="1"> <tr> <th></th> <th>mm</th> <th>INCH</th> </tr> <tr> <td>4 PLACES</td> <td>± ---</td> <td>± ---</td> </tr> <tr> <td>3 PLACES</td> <td>± ---</td> <td>± ---</td> </tr> <tr> <td>2 PLACES</td> <td>± 0.13</td> <td>± ---</td> </tr> <tr> <td>1 PLACE</td> <td>± 0.25</td> <td>± ---</td> </tr> <tr> <td>0 PLACE</td> <td>±</td> <td>±</td> </tr> </table>		mm	INCH	4 PLACES	± ---	± ---	3 PLACES	± ---	± ---	2 PLACES	± 0.13	± ---	1 PLACE	± 0.25	± ---	0 PLACE	±	±	DIMENSION STYLE MM ONLY DRAWN BY DATE JGONZALEZ01 2010/06/09 CHECKED BY DATE JKACHLIC 2010/06/09 APPROVED BY DATE MBANAKIS 2010/11/17	SCALE 3:1 DESIGN UNITS METRIC THIRD ANGLE PROJECTION	TITLE ZSFP+ STACKED ASSY WITH LIGHT PIPES AND ELASTOMERIC GASKET molex	SHEET NO. 2 OF 4
		mm	INCH																					
	4 PLACES	± ---	± ---																					
	3 PLACES	± ---	± ---																					
2 PLACES	± 0.13	± ---																						
1 PLACE	± 0.25	± ---																						
0 PLACE	±	±																						
MATERIAL NO. SEE CHART	DOCUMENT NO. SD-170071-0002																							
DRAFT WHERE APPLICABLE MUST REMAIN WITHIN DIMENSIONS	ANGULAR ±1/2°	SIZE C	THIS DRAWING CONTAINS INFORMATION THAT IS PROPRIETARY TO MOLEX INCORPORATED AND SHOULD NOT BE USED WITHOUT WRITTEN PERMISSION																					
REV I	DESCRIPTION																							

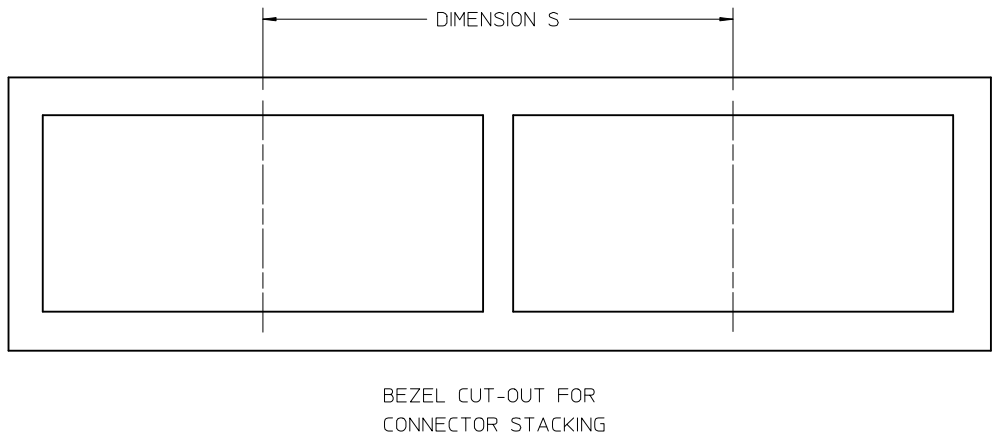
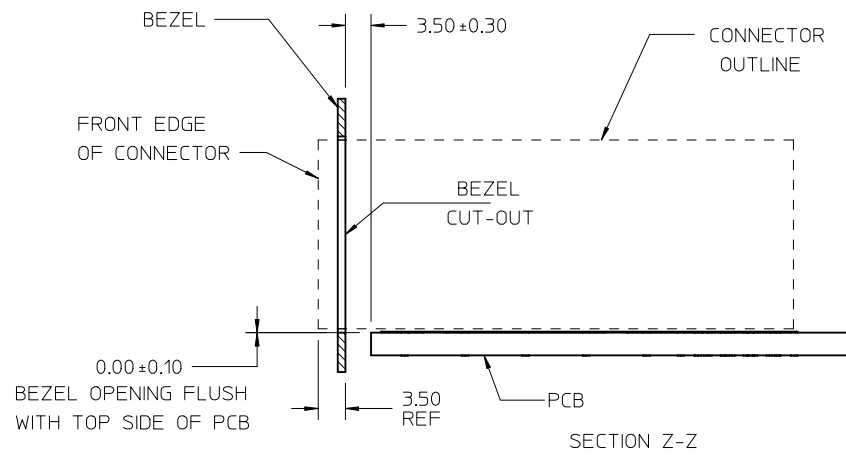
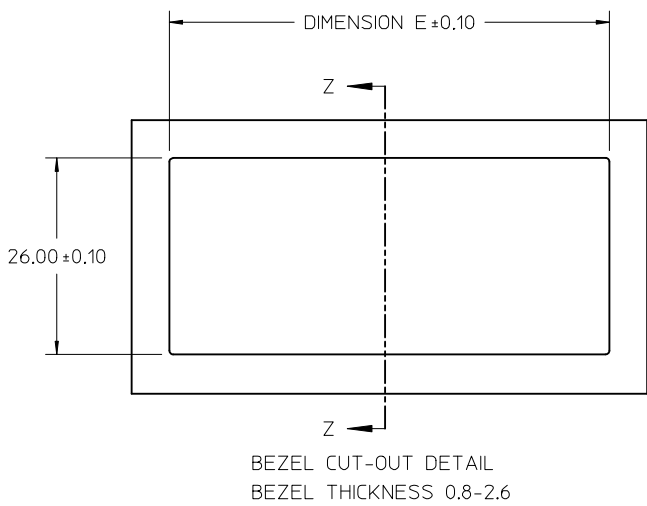


DETAIL 2
SCALE 5:1

NOTE:
LED PACKAGE SIZE AND POSITION SHALL NOT VIOLATE THE KEEP IN ZONE.
LED PLACEMENT SHOULD BE CENTERED WITHIN THE ZONE FOR OPTIMAL
LIGHT TRANSMISSION BUT MAY BE SAFELY OFFSET ±0.50

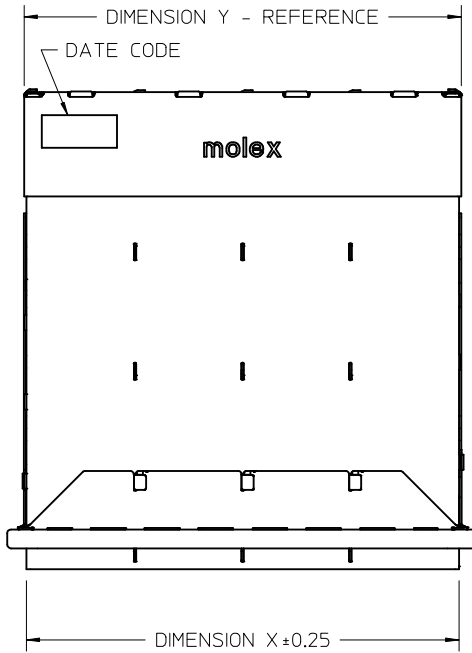
PORT SIZE	DIM "W"	HOLE CHART		
		SIGNALS (Ø0.37)	EMI CAGE (Ø0.56)	LOCATING PEG (Ø1.60)
2X1	14.25	40	24	2
2X2	28.50	80	39	4
2X4	57.00	160	69	8
2X6	85.50	240	99	12
2X8	114.00	320	129	16
2X12	171.00	480	189	24

SEE SHEET 1 EC NO: UCP2016-3736 DRWNSVANG01 2016/03/24 CHKD:BBARKER 2016/03/24 APPR:SMILLER 2016/08/15 REV DESCRIPTION	QUALITY SYMBOLS	GENERAL TOLERANCES (UNLESS SPECIFIED)	DIMENSION STYLE MM ONLY	SCALE 3:1	DESIGN UNITS METRIC	THIRD ANGLE PROJECTION
	▽=0	4 PLACES ± --- ± ---	DRAWN BY DATE JGONZALEZ01 2010/06/09	ZSFP+ STACKED ASSY WITH LIGHT PIPES AND ELASTOMERIC GASKET molex DOCUMENT NO. SD-170071-0002 SHEET NO. 3 OF 4		
	▽=0	3 PLACES ± --- ± ---	CHECKED BY DATE JKACHLIC 2010/06/09			
	▽=0	2 PLACES ± 0.13 ± ---	APPROVED BY DATE MBANAKIS 2010/11/17			
	▽=0	1 PLACE ± 0.25 ± ---	MATERIAL NO.			
▽=0	0 PLACE ± ±	SIZE				
DRAFT WHERE APPLICABLE MUST REMAIN WITHIN DIMENSIONS		ANGULAR ±1/2°	SEE CHART			
THIS DRAWING CONTAINS INFORMATION THAT IS PROPRIETARY TO MOLEX INCORPORATED AND SHOULD NOT BE USED WITHOUT WRITTEN PERMISSION						



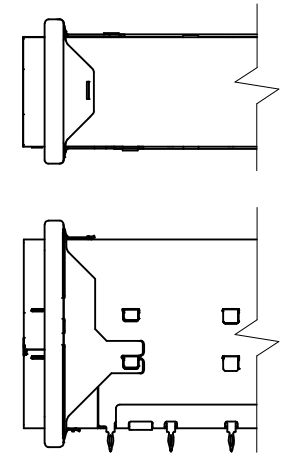
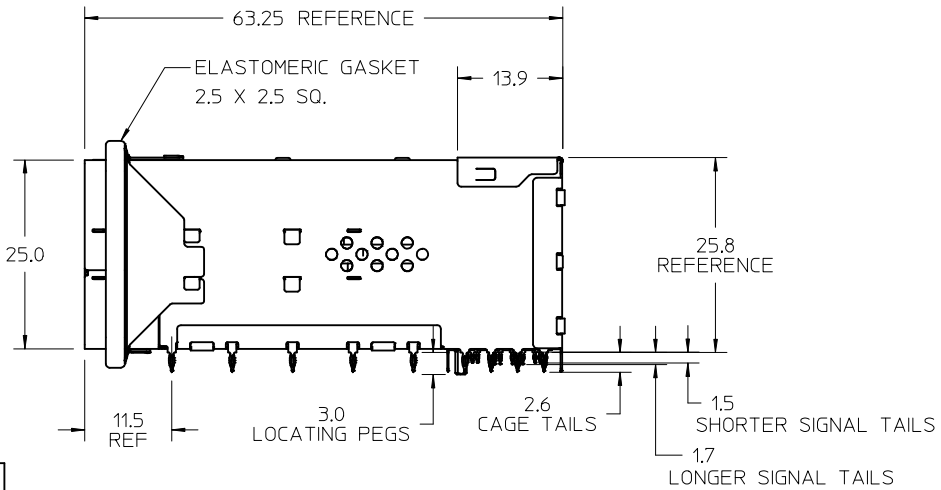
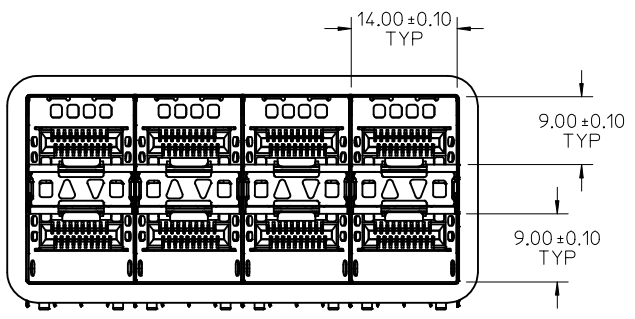
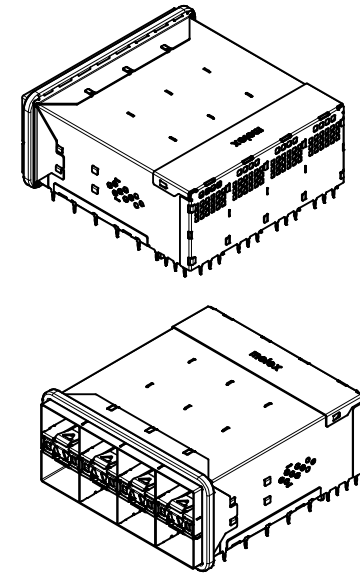
CONFIGURATION	DIM "E"	DIM "S"
2X1	15.50	20.40 MINIMUM
2X2	29.75	34.65 MINIMUM
2X4	58.25	63.15 MINIMUM
2X5	72.50	77.40 MINIMUM
2X6	86.75	91.65 MINIMUM
2X8	115.25	120.15 MINIMUM
2X12	172.25	177.15 MINIMUM

SEE SHEET 1 EC NO: UCP2016-3736 DRWNS:VANG01 2016/03/24 CHKD:BBARKER 2016/03/24 APPR:SMILLER 2016/08/15	QUALITY SYMBOLS	GENERAL TOLERANCES (UNLESS SPECIFIED)	DIMENSION STYLE	SCALE	DESIGN UNITS	THIRD ANGLE PROJECTION
	▽=0	mm INCH	MM ONLY	2:1	METRIC	
	▽=0	4 PLACES ± --- ± ---	DRAWN BY DATE	TITLE		
	▽=0	3 PLACES ± --- ± ---	JGONZALEZ01 2010/06/09	ZSFP+ STACKED ASSY WITH LIGHT PIPES AND ELASTOMERIC GASKET		
		2 PLACES ± 0.13 ± ---	CHECKED BY DATE	molex DOCUMENT NO. SD-170071-0002 SHEET NO. 4 OF 4		
	1 PLACE ± 0.25 ± ---	JKACHLIC 2010/06/09				
	0 PLACE ± ±	APPROVED BY DATE				
		MBANAKIS 2010/11/17				
		ANGULAR ±1/2°				
		DRAFT WHERE APPLICABLE MUST REMAIN WITHIN DIMENSIONS				
			THIS DRAWING CONTAINS INFORMATION THAT IS PROPRIETARY TO MOLEX INCORPORATED AND SHOULD NOT BE USED WITHOUT WRITTEN PERMISSION			



NOTES:

1. MATERIAL:
 - CAGE: NICKEL SILVER
 - CONNECTOR HOUSING: GLASS FILLED THERMOPLASTIC, UL: 94V-0, COLOR: BLACK
 - LIGHT PIPES: POLYCARBONATE, 94 HB, COLOR: CLEAR
 - TERMINALS: HIGH PERFORMANCE COPPER ALLOY
 - FRONT SHIELD WALL: COPPER ALLOY
 - LIGHT PIPE HOUSING: ZINC ALLOY
 - ELASTOMERIC GASKET: SILVER IMPREGNATED SILICONE
2. FINISH
 - TERMINALS: CONTACT AREA: 0.76 MICROMETER MINIMUM HARD GOLD OVER NICKEL.
 - COMPLIANT TAIL: 0.7-1.5 MICROMETER MATTE TIN OVER NICKEL
 - FRONT SHIELD WALL: 0.7-1.5 MICROMETER NICKEL OVERALL
 - LIGHT PIPE HOUSING: NICKEL OVER COPPER
3. 2X4 CONFIGURATION SHOWN FOR REFERENCE, SEE CHART FOR AVAILABLE OPTIONS
4. REFER TO PS-170071-0001 FOR ALL ELECTRICAL, MECHANICAL AND ENVIRONMENTAL SPECIFICATIONS.
5. REFER TO AS-170071-0001 FOR CONNECTOR MOUNTING AND REWORK INFORMATION.
6. REFER TO AS-170071-0002 FOR PCB ROUTING RECOMMENDATIONS.
7. ALL VISIBLE EXTERIOR SURFACES TO BE CLASS "B" (BOTTOM OF CONNECTOR IS CLASS "C") CAGE SURFACES TO CONFORM TO THE MOLEX COSMETIC DOC PS-45499-002.



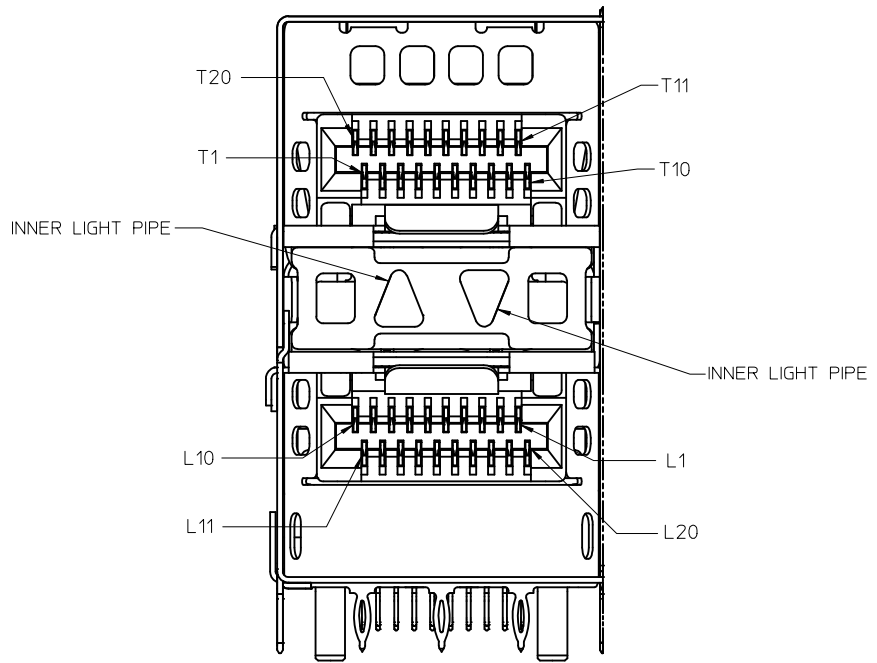
NUMBER OF PORTS	PART NUMBER	DIM X	DIM Y
2X1	170071108*	14.50	15.10
2X2	170071208*	28.75	29.35
2X4	170071408*	57.25	57.85
2X6	170071608*	85.75	86.35
2X8	170071808*	114.25	114.85
2X12	170071128*	171.25	171.85

170071-408* SHOWN FOR REFERENCE

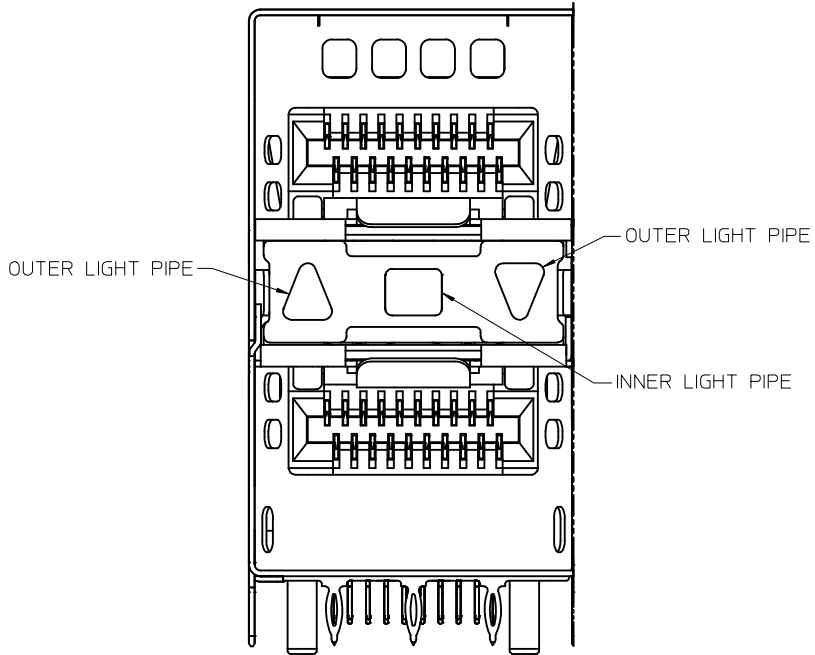
170071-108* APPEARANCE

*-DESIGNATES LIGHT PIPE CONFIGURATIONS, SEE SHEET 2

ADDED GENERAL TOL EC NO: UCP2016-3736 DRWN:KMP/EGONDA 2016/07/25 CHKD: APPR:SMILLER 2016/08/15 REV	QUALITY SYMBOLS ∇=0 ∇=0 ∇=0	GENERAL TOLERANCES (UNLESS SPECIFIED) mm INCH 4 PLACES ± --- ± --- 3 PLACES ± --- ± --- 2 PLACES ± 0.13 ± --- 1 PLACE ± 0.25 ± --- 0 PLACE ± ±	DIMENSION STYLE MM ONLY DRAWN BY DATE BBARKER 2016/01/13 CHECKED BY DATE BBARKER 2016/02/26 APPROVED BY DATE SMILLER 2016/03/09	SCALE 2:1 DESIGN UNITS METRIC THIRD ANGLE PROJECTION	TITLE ZSFP+ STACKED ASSY LIGHT PIPES, ELAST GASKT VENTED CAGE BACK COVER molex	DOCUMENT NO. SD-170071-0005	SHEET NO. 1 OF 4
	DRAFT WHERE APPLICABLE MUST REMAIN WITHIN DIMENSIONS		ANGULAR ±1/2°	SEE CHART	THIS DRAWING CONTAINS INFORMATION THAT IS PROPRIETARY TO MOLEX INCORPORATED AND SHOULD NOT BE USED WITHOUT WRITTEN PERMISSION		



INNER LIGHT PIPE
170071-**-82



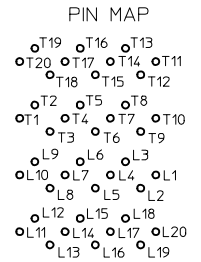
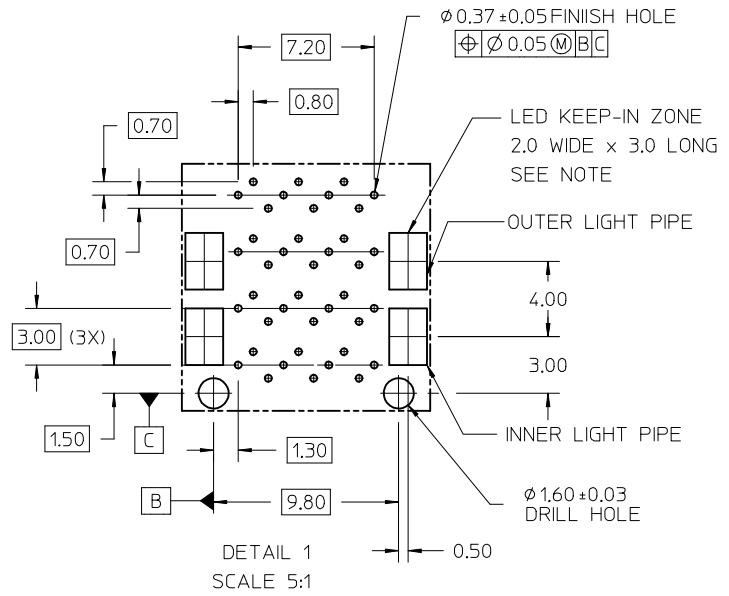
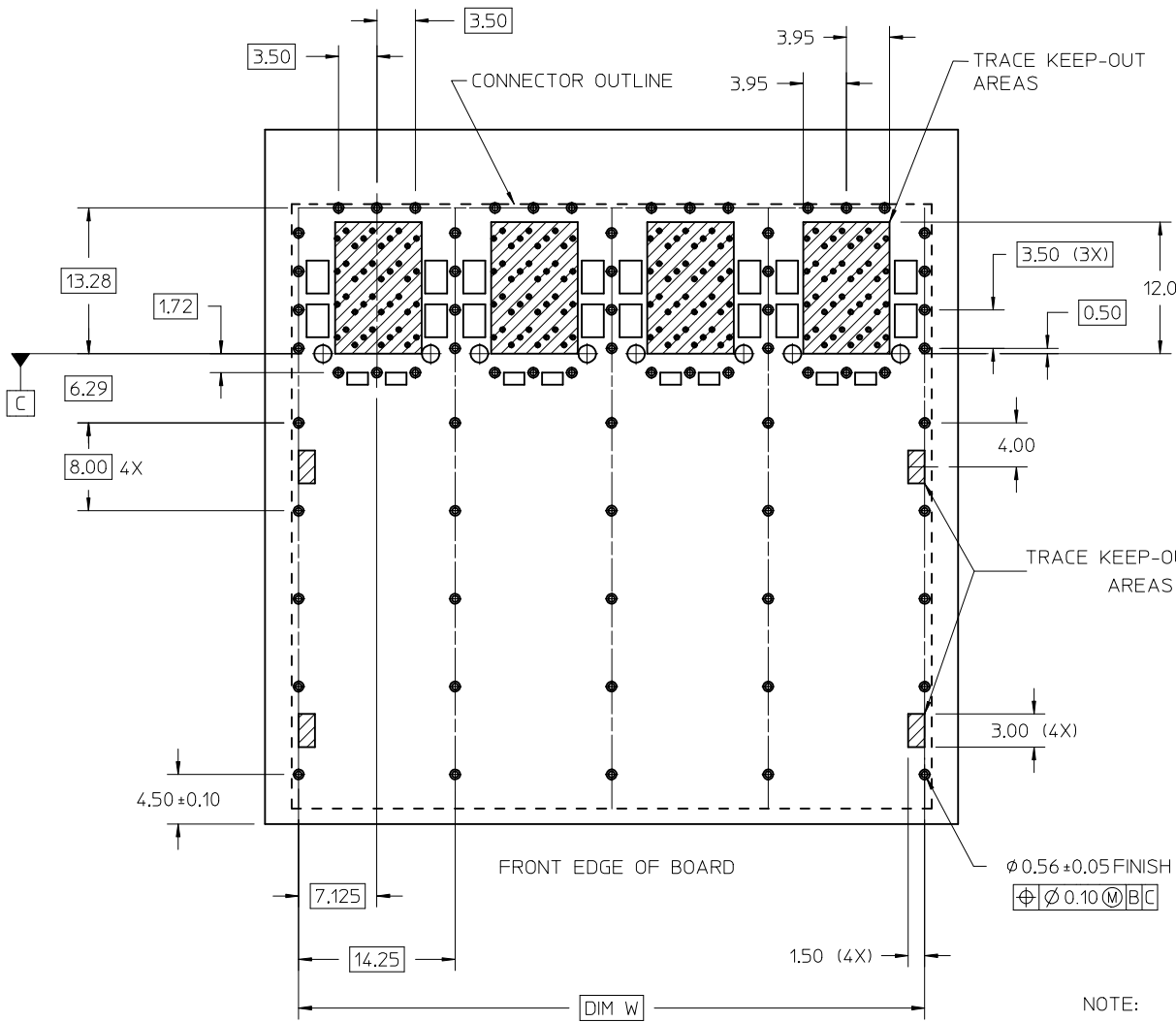
3 LIGHT PIPE
UP / MIDDLE / DOWN
170071-**-85

SEE PCB LAYOUT FOR
INNER AND OUTER LIGHT PIPE
EXIT LOCATIONS

PART NUMBER	DESCRIPTION
170071-**-82	INNER 2 PORTS
170071-**-85	3 LIGHT PIPES

**- DESIGNATES PORT SIZE

SEE SHEET 1 EC NO: UCP2016-3736 DRW:MKW/EP/EGONDA 2016/07/25 CHKD: APPR:SMILLER 2016/08/15	QUALITY SYMBOLS	GENERAL TOLERANCES (UNLESS SPECIFIED) <table border="1"> <tr> <th></th> <th>mm</th> <th>INCH</th> </tr> <tr> <td>4 PLACES</td> <td>± .---</td> <td>± .---</td> </tr> <tr> <td>3 PLACES</td> <td>± .---</td> <td>± .---</td> </tr> <tr> <td>2 PLACES</td> <td>± 0.13</td> <td>± .---</td> </tr> <tr> <td>1 PLACE</td> <td>± 0.25</td> <td>± .---</td> </tr> <tr> <td>0 PLACE</td> <td>±</td> <td>±</td> </tr> </table>		mm	INCH	4 PLACES	± .---	± .---	3 PLACES	± .---	± .---	2 PLACES	± 0.13	± .---	1 PLACE	± 0.25	± .---	0 PLACE	±	±	DIMENSION STYLE MM ONLY DRAWN BY DATE BBARKER 2016/01/13 CHECKED BY DATE BBARKER 2016/02/26 APPROVED BY DATE SMILLER 2016/03/09	SCALE 3:1 DESIGN UNITS METRIC THIRD ANGLE PROJECTION	TITLE ZSFP+ STACKED ASSY LIGHT PIPES, ELAST GASKT VENTED CAGE BACK COVER molex DOCUMENT NO. SD-170071-0005 SHEET NO. 2 OF 4
			mm	INCH																			
	4 PLACES	± .---	± .---																				
	3 PLACES	± .---	± .---																				
2 PLACES	± 0.13	± .---																					
1 PLACE	± 0.25	± .---																					
0 PLACE	±	±																					
REV	ANGULAR ±1/2° DRAFT WHERE APPLICABLE MUST REMAIN WITHIN DIMENSIONS	MATERIAL NO. SEE TABLE SIZE C	THIS DRAWING CONTAINS INFORMATION THAT IS PROPRIETARY TO MOLEX INCORPORATED AND SHOULD NOT BE USED WITHOUT WRITTEN PERMISSION																				

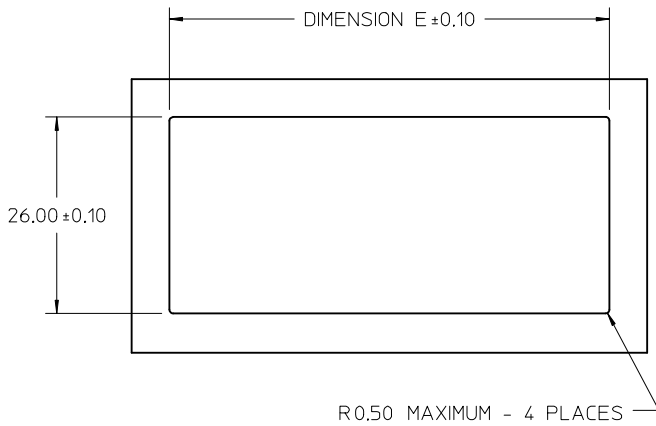


DETAIL 2 SCALE 5:1

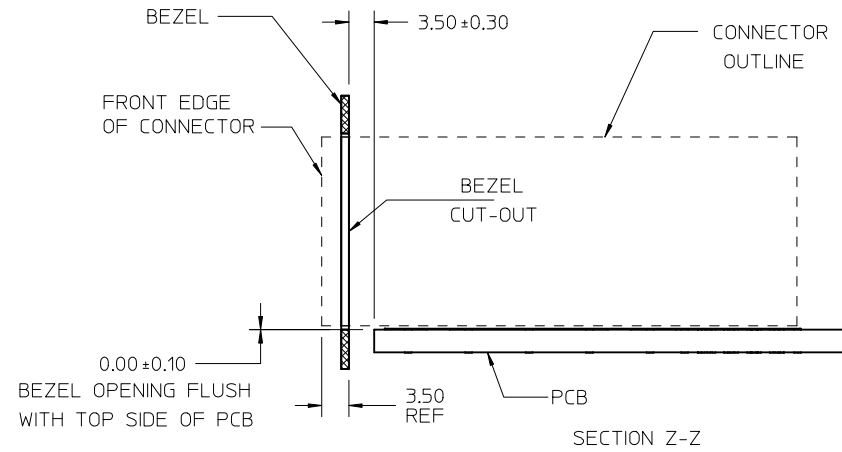
NOTE:
LED PACKAGE SIZE AND POSITION SHALL NOT VIOLATE THE KEEP IN ZONE.
LED PLACEMENT SHOULD BE CENTERED WITHIN THE ZONE FOR OPTIMAL LIGHT TRANSMISSION BUT MAY BE SAFELY OFFSET ±0.50

PORT SIZE	DIM "W"	HOLE CHART		
		SIGNALS ($\phi 0.37$)	EMI CAGE ($\phi 0.56$)	LOCATING PEG ($\phi 1.60$)
2X1	14.25	40	24	2
2X2	28.50	80	39	4
2X4	57.00	160	69	8
2X6	85.50	240	99	12
2X8	114.00	320	129	16
2X12	171.00	480	189	24

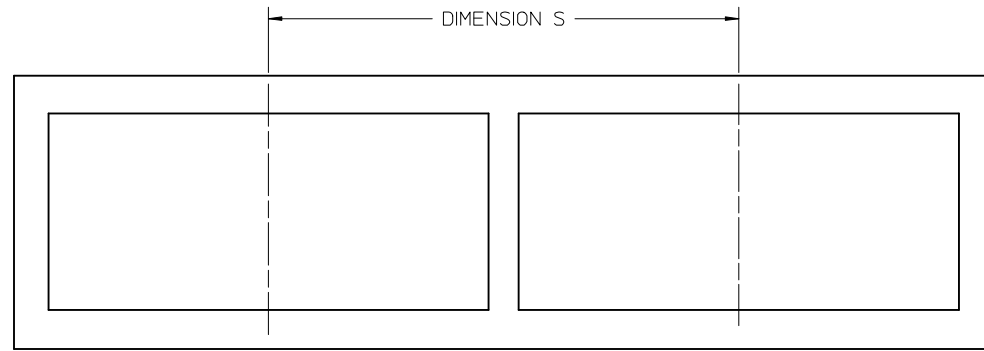
SEE SHEET 1 EC NO: UCP2016-3736 DRAWING REFERENCE: 2016/07/25 CHKD: MILLER APPR: SMILLER 2016/08/15	QUALITY SYMBOLS $\nabla = 0$ $\nabla = 0$ $\nabla = 0$	GENERAL TOLERANCES (UNLESS SPECIFIED)		DIMENSION STYLE MM ONLY		SCALE 3:1	DESIGN UNITS METRIC	THIRD ANGLE PROJECTION
		4 PLACES ± --- ± ---		DRAWN BY DATE BBARKER 2016/01/13		TITLE ZSFP+ STACKED ASSY LIGHT PIPES, ELAST GASKT VENTED CAGE BACK COVER		
		3 PLACES ± --- ± ---		CHECKED BY DATE BBARKER 2016/02/26		DOCUMENT NO. SD-170071-0005		
		2 PLACES ± 0.13 ± ---		APPROVED BY DATE SMILLER 2016/03/09		SHEET NO. 3 OF 4		
1 PLACE ± 0.25 ± ---		MATERIAL NO. SEE TABLES		THIS DRAWING CONTAINS INFORMATION THAT IS PROPRIETARY TO MOLEX INCORPORATED AND SHOULD NOT BE USED WITHOUT WRITTEN PERMISSION				
0 PLACE ± ±		ANGULAR ±1/2°						
DRAFT WHERE APPLICABLE MUST REMAIN WITHIN DIMENSIONS								



BEZEL CUT-OUT DETAIL
BEZEL THICKNESS 0.8 TO 2.6



SECTION Z-Z



BEZEL CUT-OUT CENTER SPACING DETAIL

CONFIGURATION	DIM 'E'	DIM 'S'
2X1	15.50	20.40 MINIMUM
2X2	29.75	34.65 MINIMUM
2X4	58.25	63.15 MINIMUM
2X6	86.75	91.65 MINIMUM
2X8	115.25	120.15 MINIMUM
2X12	172.25	177.15 MINIMUM

SEE SHEET 1 EC NO: UCP2016-3736 DRW: WKP/EGONDA 2016/07/25 CHKD: APPR: SMILLER 2016/08/15	QUALITY SYMBOLS	GENERAL TOLERANCES (UNLESS SPECIFIED)	DIMENSION STYLE MM ONLY	SCALE 2:1	DESIGN UNITS METRIC	THIRD ANGLE PROJECTION
	▽=0	mm INCH	DRAWN BY DATE BBARKER 2016/01/13	TITLE	ZSFP+ STACKED ASSY LIGHT PIPES, ELAST GASKT VENTED CAGE BACK COVER molex DOCUMENT NO. SD-170071-0005 SHEET NO. 4 OF 4	
	▽=0	4 PLACES ± --- ± ---	CHECKED BY DATE BBARKER 2016/02/26			
	▽=0	3 PLACES ± --- ± ---	APPROVED BY DATE SMILLER 2016/03/09			
	2 PLACES ± 0.13 ± ---	MATERIAL NO.				
		1 PLACE ± 0.25 ± ---	SEE TABLES			
		0 PLACE ± ±	SIZE C	THIS DRAWING CONTAINS INFORMATION THAT IS PROPRIETARY TO MOLEX INCORPORATED AND SHOULD NOT BE USED WITHOUT WRITTEN PERMISSION		
		ANGULAR ±1/2°				
		DRAFT WHERE APPLICABLE MUST REMAIN WITHIN DIMENSIONS				