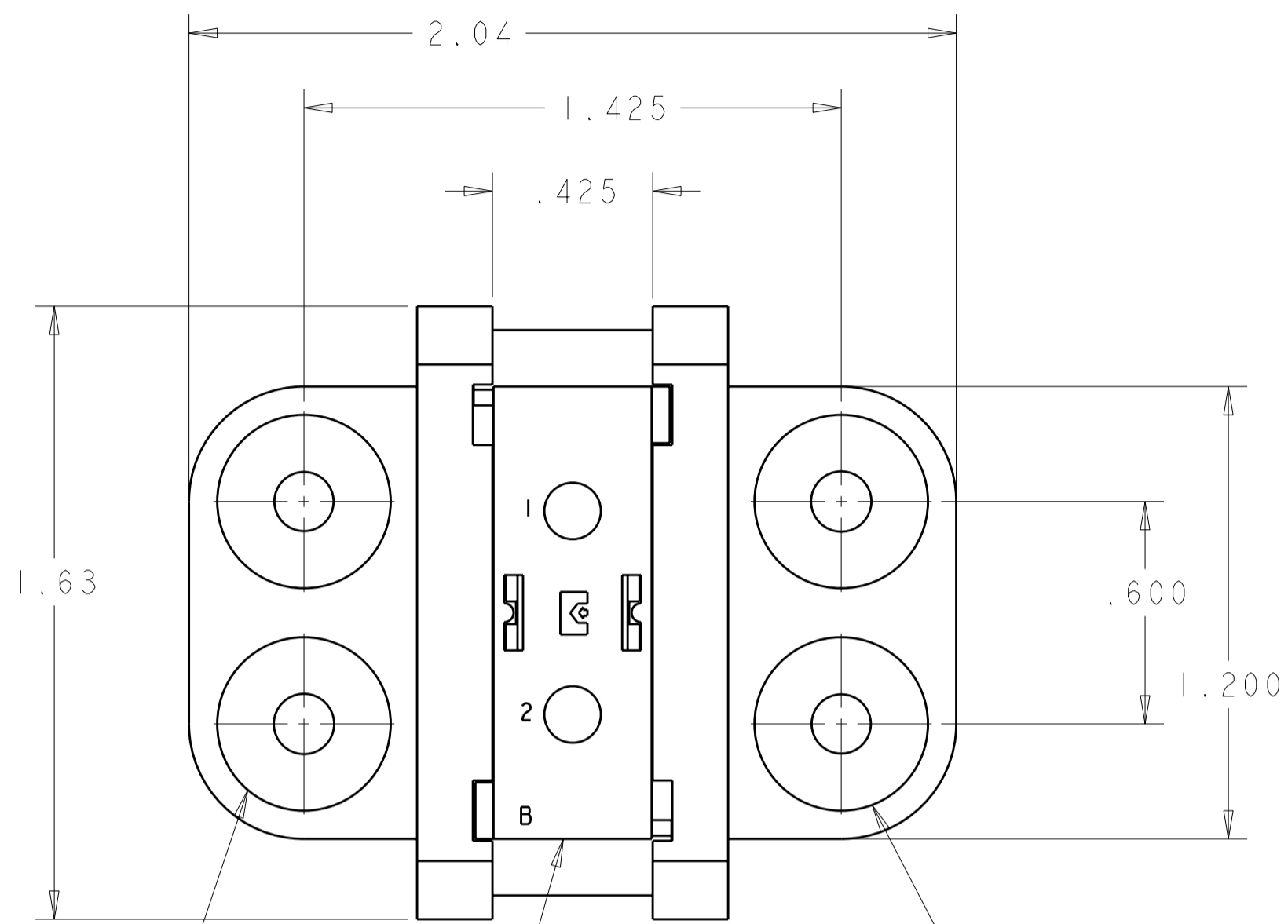


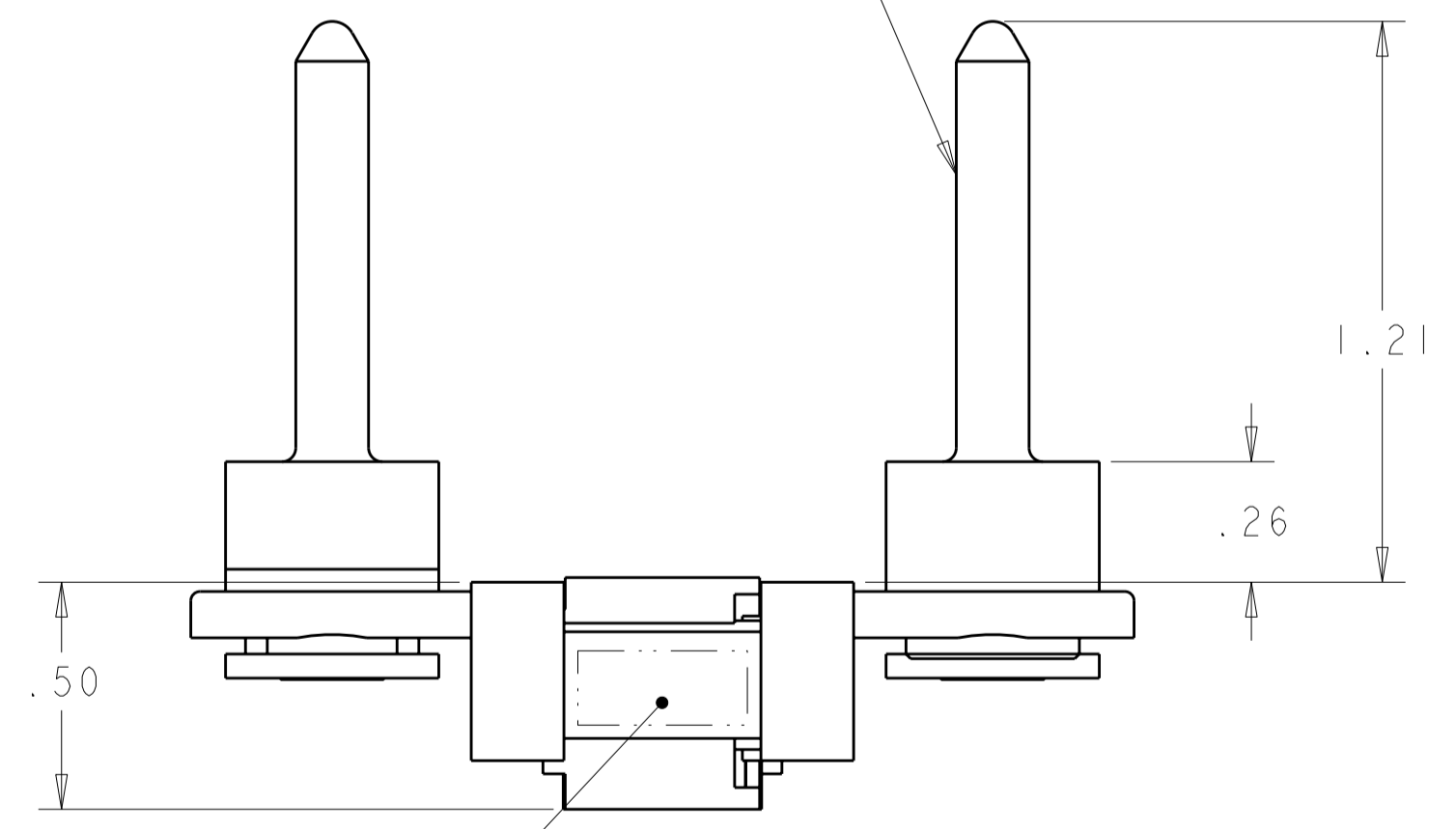
THIS DRAWING IS UNPUBLISHED. RELEASED FOR PUBLICATION 20
 © COPYRIGHT 20 BY TYCO ELECTRONICS CORPORATION. ALL RIGHTS RESERVED.

LOC		DIST		REVISIONS			
P	LTR	DESCRIPTION	DATE	DWN	APVD		
GP	00	A	RELEASED	24JUN2008	RG	DO	



2X FLOAT MOUNT BUSHING, No. 6 SCREW ±.05 FLOAT

2X FIXED GUIDE PIN



1. PART NUMBER CHANGES AND/OR DESIGN CHANGES AFFECTING ITEM INTERCHANGEABILITY REQUIRE TYCO ELECTRONICS APPROVAL AND AUTHORIZATION BY REVISION TO THIS DRAWING.

2. ITEMS PROVIDED TO THIS SPECIFICATION TO BE PERMANENTLY IDENTIFIED PER THE FOLLOWING IDENTIFIER:
 YEAR 11 WEEK 11

TYCO ELECTRONICS P/N DATE CODE (e.g. 0225)
 XXXXXXXX-X XXXX

3. MODULES ARE FOR CRIMP STYLE REMOVABLE CONTACTS (ITEM C). THEY ARE PACKAGED SEPARATELY WITH AN INSERTION/ REMOVAL TOOL AND WILL BE SHIPPED LOOSE WITH THE ASSEMBLY.

4. MOUNTING FLANGE BUSHING ACCEPTS 6/32 SCREW (Ø.156 CLEARANCE HOLE, FLOAT MOUNT) OR 8/32 SCREW (Ø.173 CLEARANCE HOLE, FIXED MOUNT) USER SUPPLIED.

-1	PART NO.	DESCRIPTION	ITEM
2	1766192-1	PIN CONTACT, SIZE No. 8, CRIMP	C
1	1648462-1	MODULE "B"	B
2	6648251-1	END CAP, GUIDE PIN, FLOAT	A

THIS DRAWING IS A CONTROLLED DOCUMENT FOR TYCO ELECTRONICS CORPORATION. IT IS SUBJECT TO CHANGE AND THE CONTROLLING ENGINEERING ORGANIZATION SHOULD BE CONTACTED FOR THE LATEST REVISION.		DWN R. GRZYBOWSKI 11JUN2008 CHK D. ORRIS 11JUN2008 APVD S. FLICKINGER 11JUN2008	Tyco Electronics Harrisburg, PA 17105-3608
DIMENSIONS: INCHES 	TOLERANCES UNLESS OTHERWISE SPECIFIED: 0 PLC ± 1 PLC ± 2 PLC ±.02 3 PLC ±.010 4 PLC ± ANGLES ±5 FINISH	PRODUCT SPEC - APPLICATION SPEC - WEIGHT -	NAME PIN CONNECTOR DOMINO W/ PANEL CUT-OUT SIZE A2 CAGE CODE 00779 DRAWING NO. C-1926854 RESTRICTED TO -
MATERIAL -		CUSTOMER DRAWING	SCALE 3:1 SHEET 1 OF 2 REV A

ELCON DOMINO

4

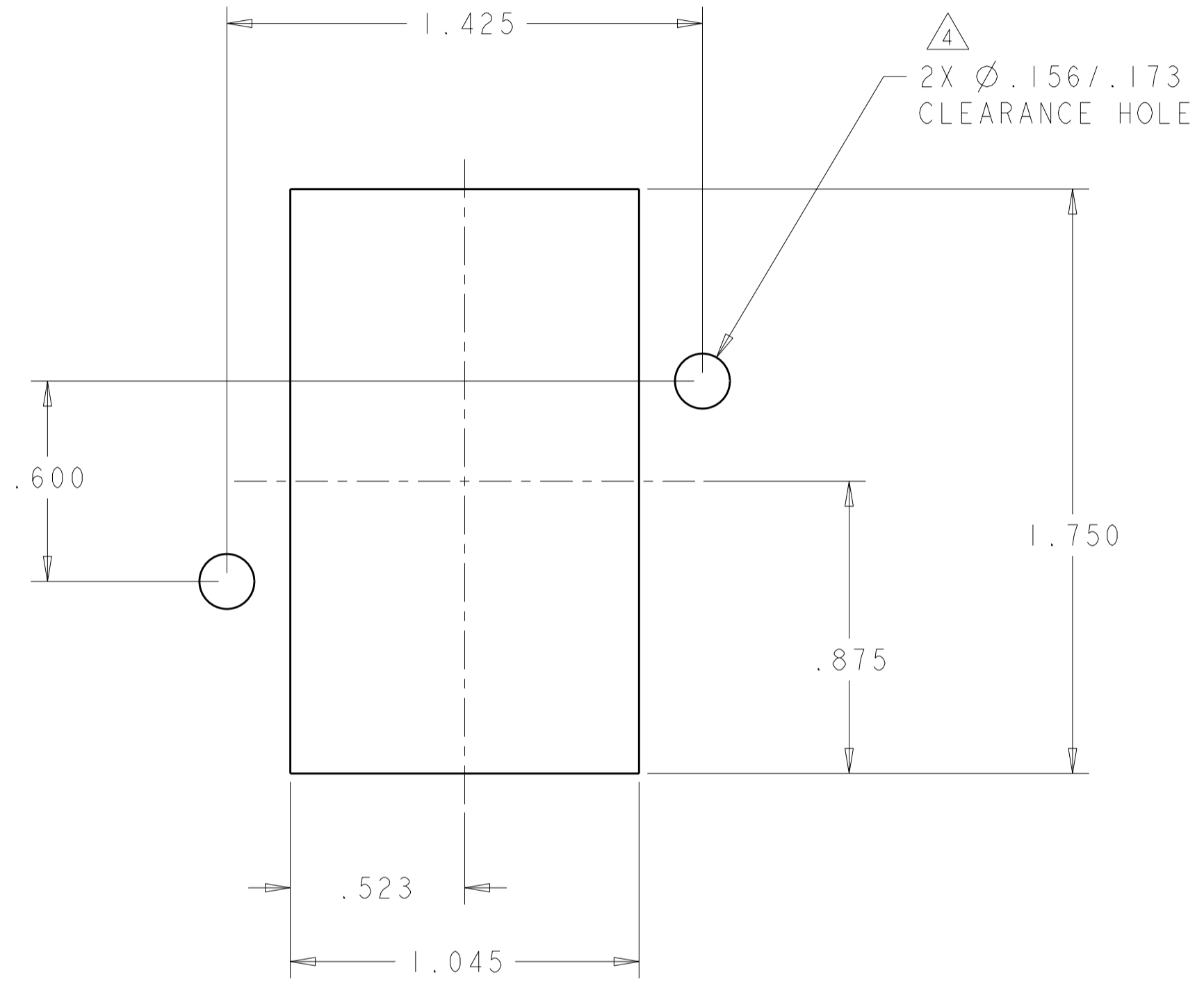
3

2

1

THIS DRAWING IS UNPUBLISHED. RELEASED FOR PUBLICATION 20
 © COPYRIGHT 20 BY TYCO ELECTRONICS CORPORATION. ALL RIGHTS RESERVED.

LOC	DIST	REVISIONS			
P	LTR	DESCRIPTION	DATE	DWN	APVD
GP	00	-	SEE SHEET 1	-	-



PIN CONNECTOR PANEL CUT-OUT

<small>THIS DRAWING IS A CONTROLLED DOCUMENT FOR TYCO ELECTRONICS CORPORATION. IT IS SUBJECT TO CHANGE AND THE CONTROLLING ENGINEERING ORGANIZATION SHOULD BE CONTACTED FOR THE LATEST REVISION.</small>		DWN R. GRZYBOWSKI 11 JUN 2008 CHK D. ORRIS 11 JUN 2008 APVD S. FLICKINGER 11 JUN 2008	Tyco Electronics Tyco Electronics Harrisburg, PA 17105-3608
DIMENSIONS: INCHES 	TOLERANCES UNLESS OTHERWISE SPECIFIED: 0 PLC ± 1 PLC ± 2 PLC ±.02 3 PLC ±.010 4 PLC ± ANGLES ±5 FINISH	PRODUCT SPEC APPLICATION SPEC WEIGHT CUSTOMER DRAWING	NAME PIN CONNECTOR DOMINO W/ PANEL CUT-OUT SIZE CAGE CODE DRAWING NO RESTRICTED TO A200779 C-1926854 -
AMP 1471-9 REV 31MAR2000		SCALE 3:1	SHEET 2 OF 2 REV A