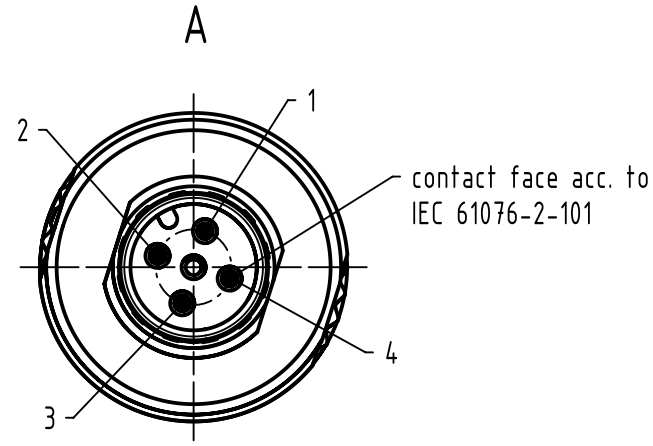
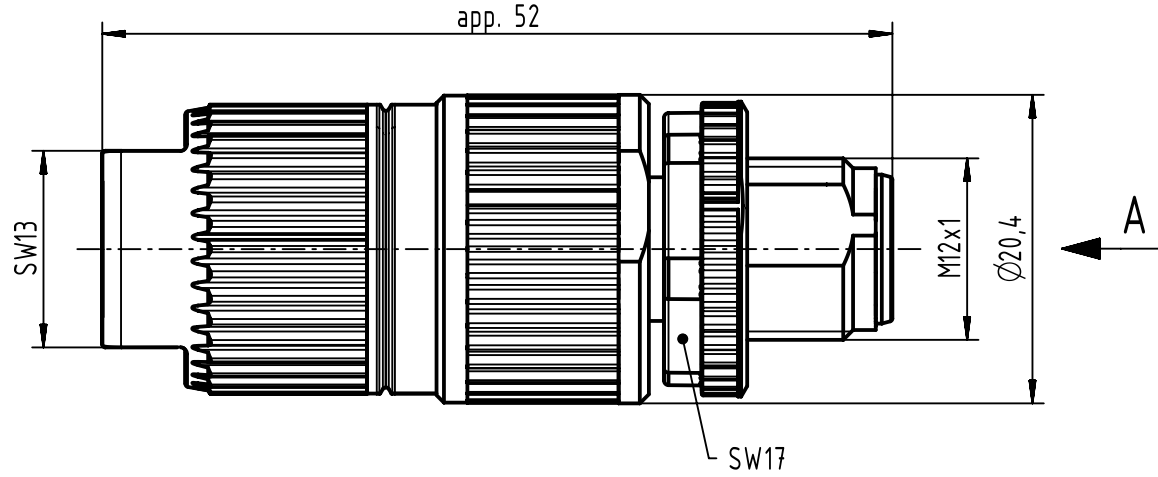
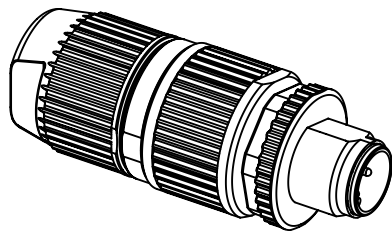
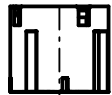
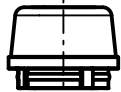


(1:1)



conductor cross section	0,34 - 0,75mm ² AWG22-AWG18
cable outside diameter	5,5 - 8,0mm

All Dimensions in mm Original Size DIN A4	Scale	Free size tol.			Ref.
	2:1				Sub. TB 21032121305 / 5000000100313 / 2016-02-25
All rights reserved Department EC PD - DE	Created by	Inspected by	Standardisation	Date	State
	DYCKC	WELLMANN	HOFFMANN	2017-01-06	Final Release
HARTING Electronics GmbH D-32339 Espelkamp	Title				Doc-Key / ECM-Nr.
	HARTING M12-L 4-pole A-coded male				100190994/UGD/002/E 500000113432
Type		Number		Rev.	Page
TB		21032121305		E	1/1