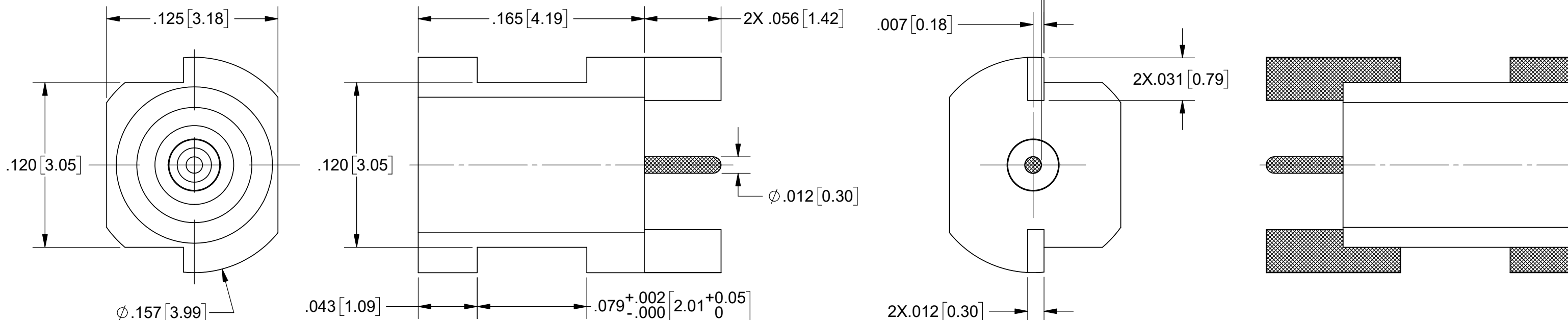
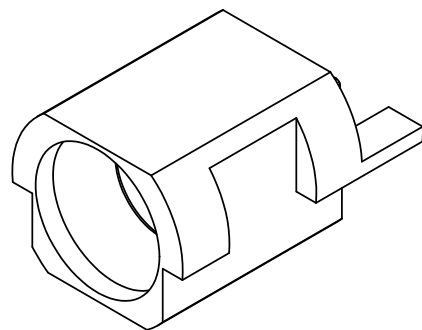


# PRODUCT DATA DRAWING

REVISION HISTORY			
REV	DESCRIPTION	DATE	APPROVED
-	DCN 47138	01/18	STW



- NOTES:
1. TO BE TIN DIPPED USING Sn96 SOLDER.
  2. ALL DIMENSIONS APPLY PRIOR TO SOLDER DIPPING.

**MATERIAL:**

**BODY:** STAINLESS STEEL PER AMS-5640, ALLOY UNS S30300, TYPE 1

**CONTACT:** BERYLLIUM COPPER PER ASTM B196, ALLOY No. UNS C17300, TD04

**INSULATOR:** PTFE PER ASTM D1710, TYPE I, GRADE 1, CLASS B

**FINISH:**

**BODY & CONTACT:** GOLD PER ASTM B 488, TYPE II, GRADE C, CLASS .76, OVER NICKEL PER AMS-QQ-N-290, CLASS 1.

**PERFORMANCE:**

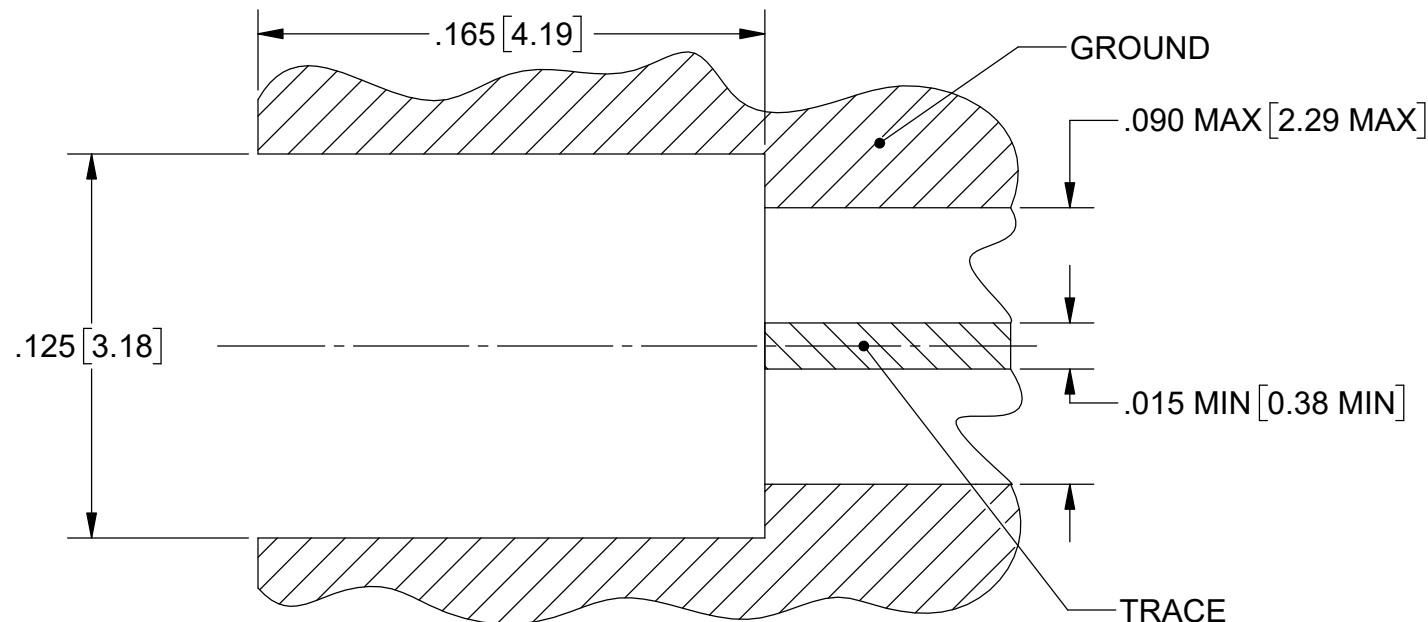
**IMPEDANCE:** 50 OHMS.

**DWV:** 325 VRMS.

**FREQ. RANGE:** DC TO 40.0 GHz.

**INSUL. RES:** 5000 MEGOHMS, MIN.

CO-PLANARITY BETWEEN SURFACE "A" AND CONTACT IS  $-.000/+0.005$



**PREPARE P.C.B. AS SHOWN**

MATERIAL: SEE NOTES	DIMENSIONS ARE IN INCHES TOLERANCES: FRACTIONAL: $\pm 1/64$ ANGULAR: X° $\pm 1'0''$ X°X' $\pm 15''$	UNLESS OTHERWISE SPECIFIED 1) ALL DIMENSIONS ARE IN INCHES (MILLIMETERS) 2) ALL DIMENSIONS ARE AFTER PLATING. 3) BREAK CORNERS & EDGES .005 R. MAX. 4) CHAM. 1ST & LAST THREADS. 5) SURFACE ROUGHNESS 63-MIL-STD-10. 6) DIA.'S ON COMMON CENTERS TO BE CONCENTRIC WITHIN .002 T.I.R. 7) REMOVE ALL BURRS	<b>SV Microwave, Inc.</b> 2400 Centrepark West Drive, Suite 100 West Palm Beach, FL 33409
FINISH: SEE NOTES	DECIMAL: X $\pm .030$ .XX $\pm .010$ .XXX $\pm .005$	INTERPRET DIMENSIONS AND TOLERANCES PER ASME Y14.5M - 1994	TITLE: SMPM MALE FD EDGE MOUNT
SURFACE AREA: N/A	THIRD ANGLE PROJECTION	DRAWN: FSG 04/27/16	SIZE: B CAGE CODE: 95077 DWG. NO. 3285-6001-TD
PROPRIETARY THE INFORMATION CONTAINED IN THIS DRAWING IS THE SOLE PROPERTY OF SV MICROWAVE, INC. ANY REPRODUCTION IN PART OR AS A WHOLE WITHOUT THE WRITTEN PERMISSION OF SV MICROWAVE, INC IS PROHIBITED.		CHECKED: MAL 04/27/16	SCALE: 16:1
		APPROVED: MAL 04/27/16	SHEET 1 OF 1