

High Frequency Ceramic Solutions

3.3 - 3.7 GHz WiMAX BPF

P/N 3600BP14M0600

Detail Specification: 1/18/2019

Page 1 of 3

General Specifications

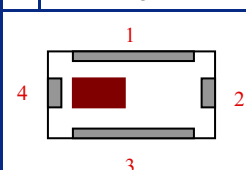
Part Number	3600BP14M0600
Frequency (MHz)	3300 - 3700
Insertion Loss	1.8 max @ 25 dB
	2.0 max @ -40 ~ 85 dB
Return Loss	12 dB min.
Attenuation (dB)	30min. @ 806 ~ 915MHz
Attenuation (dB)	30min. @ 1710 ~ 1785MHz
Attenuation (dB)	30min. @ 1850 ~ 1910MHz
Attenuation (dB)	30min. @ 1920 ~ 1980MHz
Attenuation (dB)	31min. @ 2400 ~ 2500MHz
Attenuation (dB)	18min. @ 4900 ~ 5900MHz

Input Power	500 mW max.
Impedance	50 Ω
Operating Temperature	-40 to +105°C
Storage Temperature	-40 to +105°C
Reel Quantity	4000
MSL	1

* - 1 yr shelf life in bag; 1 week shelf life out of bag;
Vacuum reseal unused reel

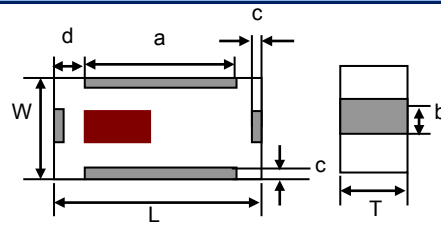
Terminal Configuration

No.	Function
1	GND
2	I/O
3	GND
4	I/O



Mechanical Dimensions

	In	mm
L	0.063 \pm 0.004	1.60 \pm 0.10
W	0.031 \pm 0.004	0.80 \pm 0.10
T	0.022 \pm 0.004	0.55 \pm 0.10
a	0.028 \pm 0.006	0.70 \pm 0.15
b	0.012 \pm 0.004	0.30 \pm 0.10
c	0.006 \pm 0.004	0.15 \pm 0.10
g	0.018 \pm 0.006	0.45 \pm 0.15

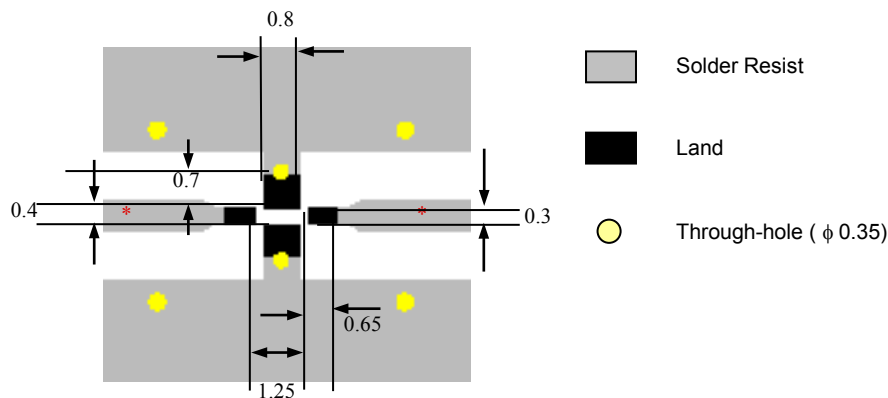


Mounting Considerations

Mount these devices with brown mark facing up.

* Line width should be designed to provide 50 Ω impedance matching characteristics.

Units: mm



Johanson Technology, Inc. reserves the right to make design changes without notice.

All sales are subject to Johanson Technology, Inc. terms and conditions.

High Frequency Ceramic Solutions

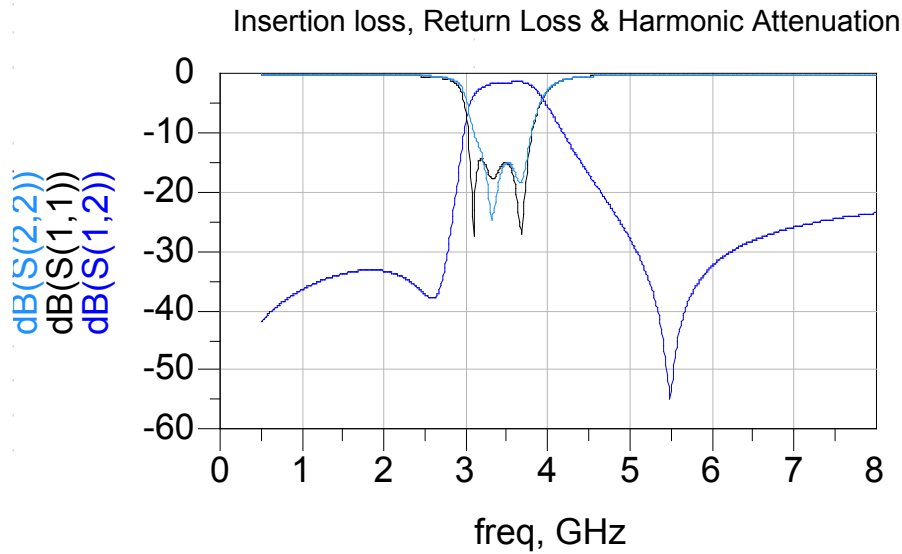
3.3 - 3.7 GHz WiMAX BPF

P/N 3600BP14M0600

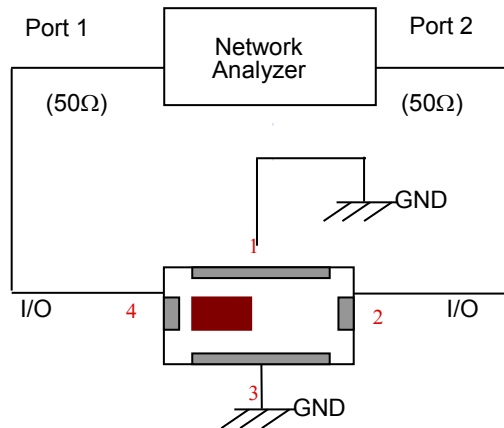
Detail Specification: 1/18/2019

Page 2 of 3

Typical Electrical Performance (T=25°C)



Measurement Diagram



Johanson Technology, Inc. reserves the right to make design changes without notice.

All sales are subject to Johanson Technology, Inc. terms and conditions.



High Frequency Ceramic Solutions

3.3 - 3.7 GHz WiMAX BPF

P/N 3600BP14M0600

Detail Specification: 1/18/2019

Page 3 of 3

Application Notes, Layout Files, and more

<https://www.johansontechnology.com/band-pass-filters>

Packaging information

<https://www.johansontechnology.com/tape-reel-packaging>

Soldering Information

<https://www.johansontechnology.com/ipcsoldering-profile>

MSL Info

<https://www.johansontechnology.com/msl-rating>

Recommended Storage Condition and Max Shelf Life

<https://www.johansontechnology.com/recommended-storage-conditions>

RoHS Compliance

<https://www.johansontechnology.com/rohs-compliance>

Antenna layout and tuning techniques

<https://www.johansontechnology.com/tuning>

Antenna layout review, tuning, and characterization services

<https://www.johansontechnology.com/ipc-antenna-services>

Johanson Technology, Inc. reserves the right to make design changes without notice.

All sales are subject to Johanson Technology, Inc. terms and conditions.



Ver. 1.1

www.johansontechnology.com

4001 Calle Tecate • Camarillo, CA 93012 • TEL 805.389.1166 FAX 805.389.1821

2019 Johanson Technology, Inc. All Rights Reserved