

3BH

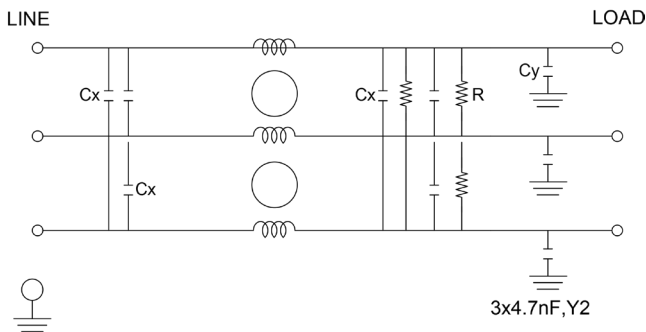
HIGH VOLTAGE 3-PHASE POWER FILTER

FEATURES

- » Rated currents include **15A, 30A, 45A, 60A, 100A, 150A and 200A**
- » Single Stage Line Filter
- » Available with **S** (studs) option
- » High Voltage Design
- » Low Profile Case & Flange Mount Available
- » Agency Approved to UL E78081, CSA LR53652 and TUV
- » Y-cap value can be adjusted to fit specification

ELECTRICAL SCHEMATIC

DELTA - SUFFIX "D"

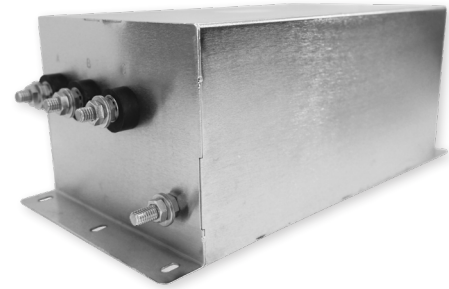


HOW TO ORDER

3BH30D LF



NOTE: USE ANY COMBINATION OF -X (AMPS) WITH ANY -Y RATINGS
E.G. **3BH30D LF** (30 AMPS, DELTA, LOW PROFILE CASE, FLANGE MOUNT)



SPECIFICATIONS

OPERATING FREQUENCY	50/60Hz
MAX. OPERATING VOLTAGE	480VAC +10%
TERMINALS (-T)	STUDS: 10-32(15-45A), 5/16-18 (100A), 3/8-16 (150A)
TYP. WEIGHT, LBS (KG)	2.90 - 25 (1.31 - 11.33)

TYPICAL LEAKAGE CURRENT

@ 480 VAC 60 Hz 0 - 3.0 mA Max.

HIPOT RATINGS

LINE TO GROUND 3200 VDC - 3400 VDC

TYPICAL APPLICATIONS

- ✓ High Power Rectifiers
- ✓ Uninterrupted Power Supplies
- ✓ Processing Equipment
- ✓ Alternative Energy (EV Charging & Solar)
- ✓ Factory Machinery

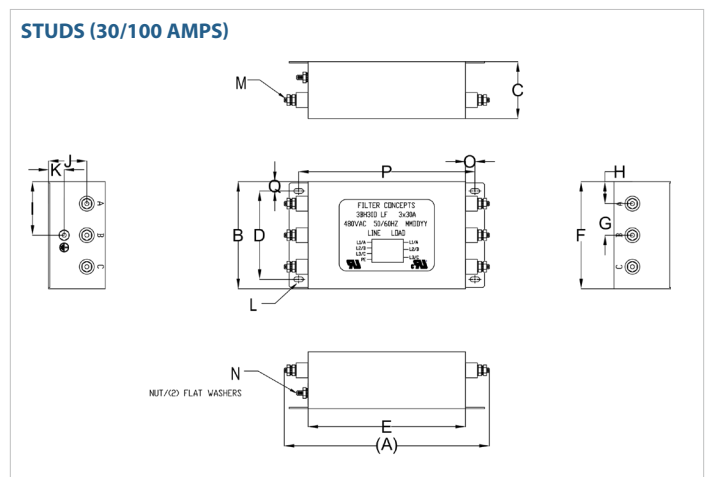
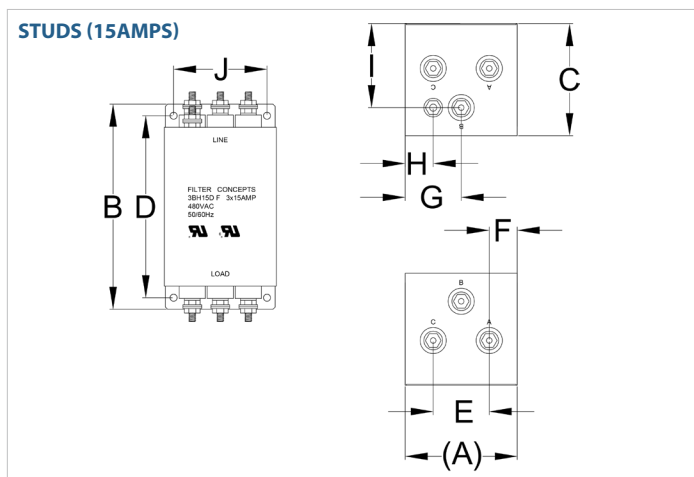
3BH

HIGH VOLTAGE 3-PHASE POWER FILTER

MODEL NO.	RATED CURRENT (A) @ 40° C	Y-CAP, nF	LEAKAGE CURRENT, mA @ 480V AC/60 Hz	TERMINAL OPTIONS		MAX. DIMENSIONS" (MM)		
				(QD)INPUT/ OUTPUT	(S) INPUT/ OUTPUT	WIDTH	(LENGTH)	HEIGHT
3BH15D	15	*	3.0	*	*	3.00"(76)	5.50"(140)	3.00"(76)
3BH15D F	15	3x.01µF	3.0		✓	3.00"(76)	5.50"(140)	3.00"(76)
3BH15D L	15	*	3.0	*	*	3.00"(76)	5.50"(140)	3.00"(76)
3BH30	30	*	3.0	*	*	4.25"(108)	8.14"(207)	2.25"(57)
3BH30D	30	*	3.0	*	*	4.25"(108)	8.14"(207)	2.25"(57)
3BH30D L	30	*	3.0	*	*	4.25"(108)	8.14"(207)	2.25"(57)
3BH30D LF	30	3x.01µF	3.0		✓	4.25"(108)	8.14"(207)	2.25"(57)
3BH45	45	*	3.0	*	*	2.67"(68)	5.75"(146)	2.67"(68)
3BH45D	45	*	3.0	*	*	2.67"(68)	5.75"(146)	2.67"(68)
3BH45D F	45	3x.01µF	3.0		✓	2.67"(68)	5.75"(146)	2.67"(68)
3BH45D L	45	*	3.0	*	*	2.67"(68)	5.75"(146)	2.67"(68)
3BH60	60	*	3.0	*	*	5.00"(127)	9.60"(244)	4.75"(121)
3BH60D	60	*	3.0	*	*	5.00"(127)	9.60"(244)	4.75"(121)
3BH100	100	*	3.0	*	*	6.50"(165)	12.30"(312)	4.75"(121)
3BH100D	100	*	3.0	*	*	6.50"(165)	12.30"(312)	4.75"(121)
3BH100D F	100	3x.00047µF/3x.01µF	3.0		✓	6.50"(165)	12.30"(312)	4.75"(121)
3BH150	150	*	3.0	*	*	7.50"(165)	14.80"(312)	5.75"(121)
3BH150D	150	*	3.0	*	*	7.50"(165)	14.80"(312)	5.75"(121)
3BH150D F	150	3x.00047µF/3x.01µF	3.0		✓	7.50"(165)	14.80"(312)	5.75"(121)
3BH200	200	*	3.0	*	*	8.50"(312)	14.50"(165)	6.75"(121)
3BH200D	200	*	3.0	*	*	8.50"(312)	14.50"(165)	6.75"(121)

*Contact factory for dimensions.

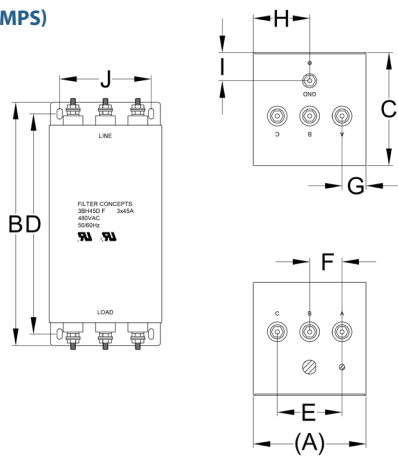
3BH MECHANICAL OUTLINES (MM)



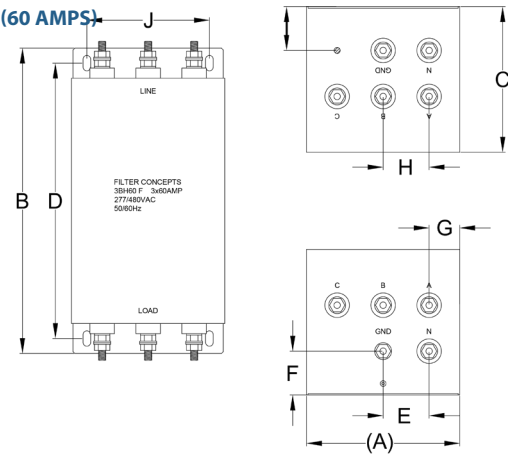
3BH

HIGH VOLTAGE 3-PHASE POWER FILTER

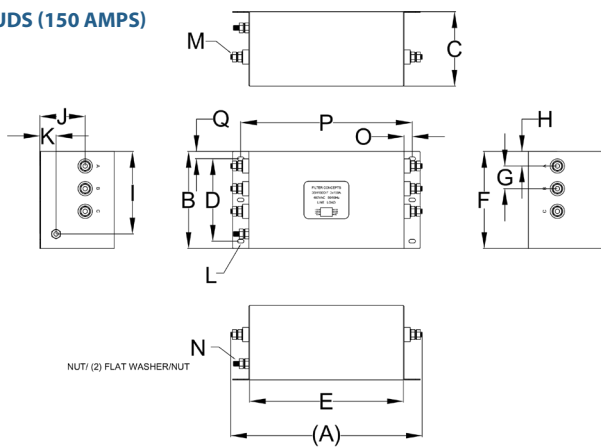
STUDS (45 AMPS)



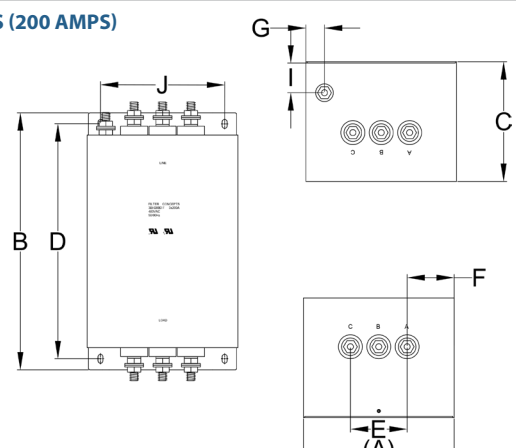
STUDS (60 AMPS)



STUDS (150 AMPS)



STUDS (200 AMPS)



SERIES	(A)	B	C	D	E	F	G	H	I	J	K	L	M	N	O	P	Q
15 amps	3.00" (76)	5.50" (140)	3.00" (76)	4.87" (124)	1.50" (38)	0.75" (19)	1.50" (38)	0.75" (19)	2.25" (57)	2.50" (64)	N/A	N/A	N/A	N/A	N/A	N/A	N/A
30 amps	8.14" (207)	4.25" (108)	2.25" (57)	3.50" (89)	7.31" (186)	4.25" (108)	1.25" (32)	0.88" (22)	2.13" (54)	1.52" (39)	0.62" (16)	Ø 0.37"x 0.18", 4x Ø 9.5x4.8, 4x	STUD, 10-32, 6x	STUD, GND, 10-32	0.38" (10)	7.00" (178)	0.38" (10)
45 amps	2.67" (68)	5.75" (146)	2.67" (68)	5.20" (132)	1.53" (39)	0.77" (20)	0.57" (14)	1.33" (34)	0.67" (17)	2.17" (55)	N/A	N/A	N/A	N/A	N/A	N/A	N/A
60 amps	5.00" (127)	9.60" (244)	4.75" (121)	9.00" (229)	1.50" (38)	1.43" (36)	1.00" (25)	1.50" (38)	1.43" (36)	4.00" (102)	N/A	N/A	N/A	N/A	N/A	N/A	N/A
100 amps	12.30" (312)	6.50" (165)	4.75" (121)	4.25" (108)	10.00" (254)	6.50" (165)	1.50" (38)	1.75" (44)	3.25" (83)	2.93" (74)	1.43" (36)	Ø 0.62"x0.31", 4x Ø, 15.8x7.9, 4x	STUD, GND, 5/16, 6x	STUD, GND, 5/16	0.50" (13)	11.02" (280)	1.12" (29)

3BH

HIGH VOLTAGE 3-PHASE POWER FILTER

150 amps	14.80" (312)	7.50" (165)	5.75" (121)	6.37" (108)	11.82" (254)	7.50" (165)	1.75" (38)	1.13" (44)	6.38" (83)	3.50" (74)	1.25" (36)	Ø 11.06x19.68, 4x Ø .281x.500, 4x	STUD 3/8-16, 6x	STUD, GND 3/8-16	0.02" (1)	0.52" (13)	0.02" (1)
200 amps	8.50" (312)	14.50" (165)	6.75" (121)	13.26" (108)	3.20" (254)	2.65" (165)	1.05" (38)	1.73" (44)	1.67" (83)	7.00" (74)	1.43" (36)	N/A	N/A	N/A	N/A	N/A	N/A

TYPICAL TOLERANCE: +/-0.02" (0.50MM)

TYPICAL INSERTION LOSS, dB (50/50 Ohm)

Amps	Freq (MHz)	0.01	0.15	0.5	1.0	10	30
15	CM (dB)	12	20	50	41	56	64
	DM (dB)	18	18	36	34	53	61
30	CM (dB)	12	20	50	41	56	64
	DM (dB)	18	18	36	34	53	61
45	CM (dB)	12	20	50	41	56	64
	DM (dB)	18	18	36	34	53	61
60	CM (dB)	12	20	50	41	56	64
	DM (dB)	18	18	36	34	53	61
100	CM (dB)	12	20	50	41	56	64
	DM (dB)	18	18	36	34	53	61
150	CM (dB)	12	20	50	41	56	64
	DM (dB)	18	18	36	34	53	61
200	CM (dB)	12	20	50	41	56	64
	DM (dB)	18	18	36	34	53	61