

ターミナル装着図  
TERMINAL ASSEMBLY DRAWING

注記 NOTES

- ① 材料：TABLE 1参照  
MATERIAL：SEE TABLE 1.
- ② 偶数極に適用。  
APPLY FOR EVEN CIRCUIT.
- ③ 製品仕様書、アプリケーション仕様書、適用嵌合相手、適用ターミナルはSHEET 3をご参照ください。  
PLEASE REFER TO SHEET 3 FOR PRODUCT SPECIFICATION, APPLICATION SPECIFICATION.
- ④ 製品番号 MATERIAL NO.

極数 CIRCUIT SIZE	505432**0*	
	番号 NO.	ハウジングカラー HOUSING COLOR
0	0	ナチュラル (ベージュ) NATURAL (BEIGE)
1	1	黒 BLACK
2	2	赤 RED
4	4	青 BLUE
6	6	緑 GREEN

25	29.7	42
23.75	28.45	40
22.5	27.2	38
21.25	25.95	36
20	24.7	34
18.75	23.45	32
17.5	22.2	30
16.25	20.95	28
15	19.7	26
13.75	18.45	24
12.5	17.2	22
11.25	15.95	20
10	14.7	18
8.75	13.45	16
7.5	12.2	14
6.25	10.95	12
5	9.7	10
3.75	8.45	8
B	A	極数 CIRCUIT SIZE

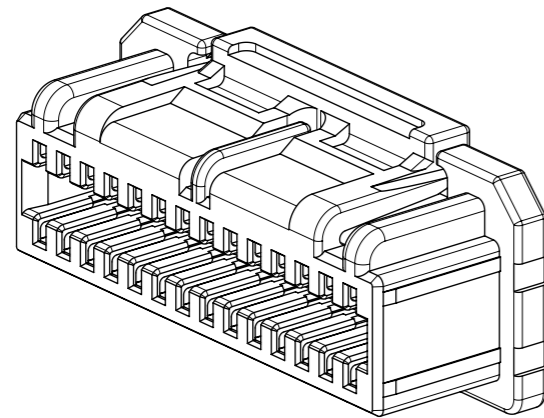


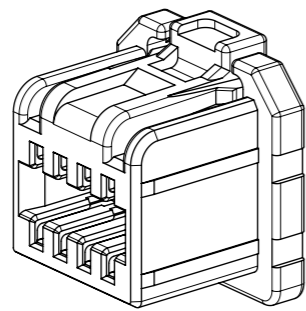
TABLE 1

部品 PART	材質 MATERIAL
ハウジング HOUSING	PBT UL94V-0 色：SHEET3参照 PBT UL94V-0 COLOR:SEE SHEET 3.

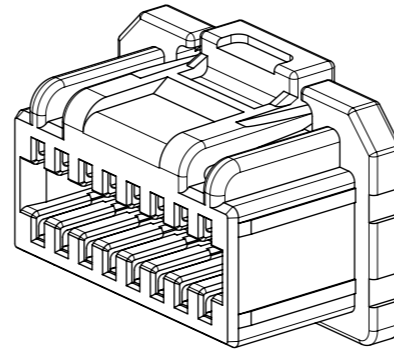
DOCUMENT STATUS	P1	RELEASE DATE	2019/07/31	10:52:35
-----------------	----	--------------	------------	----------

THIS DRAWING CONTAINS INFORMATION THAT IS PROPRIETARY TO MOLEX ELECTRONIC TECHNOLOGIES, LLC AND SHOULD NOT BE USED WITHOUT WRITTEN PERMISSION		CURRENT REV DESC: REVISED		<b>molex</b>	
DIMENSION UNITS	SCALE	EC NO: 620885			
mm	NTS	DRWN: TAKAIKE 2019/07/17		PRODUCT CUSTOMER DRAWING	
GENERAL TOLERANCES (UNLESS SPECIFIED)		CHK'D: SAKIYAMA 2019/07/19		DOCUMENT NUMBER	
ANGULAR TOL	± 3.0°	APPR: KOMURAKAMI 2019/07/31		5054320000	
4 PLACES	± 0.2	INITIAL REVISION:		DOC TYPE	DOC PART
3 PLACES	± 0.2	DRWN: TAKAIKE 2017/02/10		PSD	000
2 PLACES	± 0.2	APPR: TKANEKO 2017/04/03		D	
1 PLACE	± 0.2	DRAFT WHERE APPLICABLE MUST REMAIN WITHIN DIMENSIONS		SHEET NUMBER	
0 PLACES	± 0.2	THIRD ANGLE PROJECTION	DRAWING	SERIES	MATERIAL NUMBER
			A3-SIZE	505432	SEE SHEET 3
				CUSTOMER	GENERAL
					1 OF 3

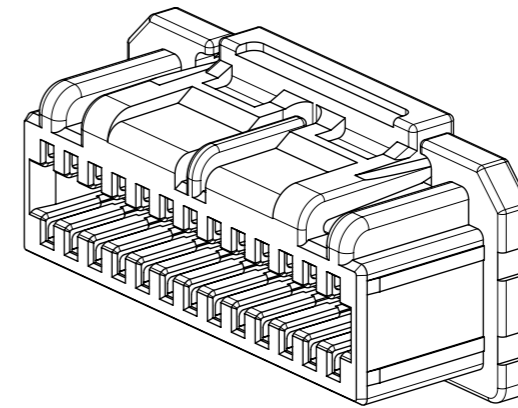
製品形状  
PRODUCT SHAPE



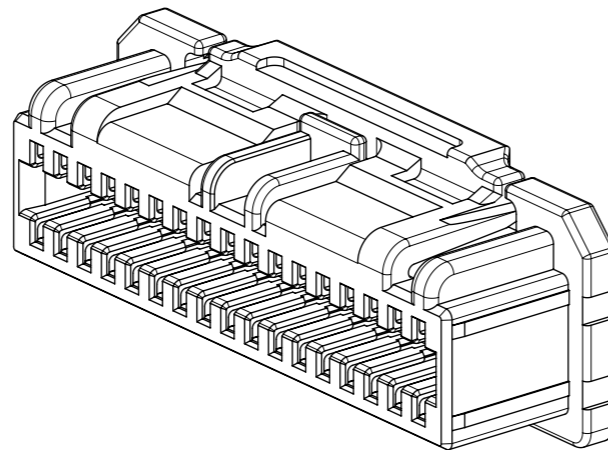
8-14極  
8-14 CIRCUIT



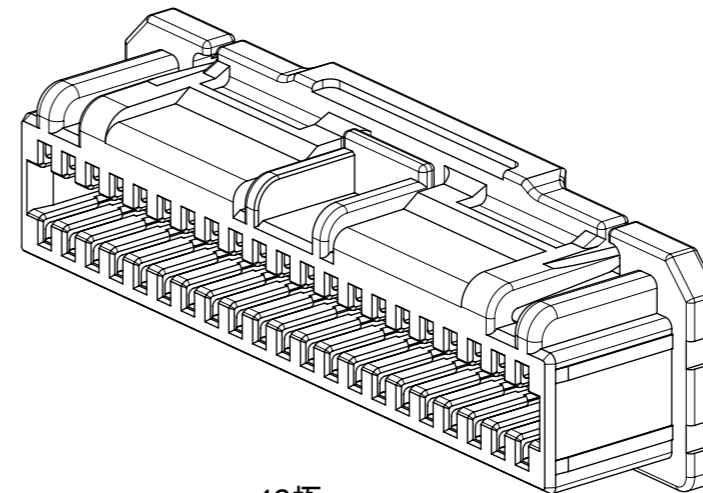
16-24極  
16-24 CIRCUIT



26-32極  
26-32 CIRCUIT



34-40極  
34-40 CIRCUIT



42極  
42 CIRCUIT


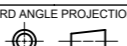
THIS DRAWING CONTAINS INFORMATION THAT IS PROPRIETARY TO MOLEX ELECTRONIC TECHNOLOGIES, LLC AND SHOULD NOT BE USED WITHOUT WRITTEN PERMISSION									
DIMENSION UNITS		SCALE		CURRENT REV DESC: REVISED				<b>molex</b>	
mm		NTS							
GENERAL TOLERANCES (UNLESS SPECIFIED)									
ANGULAR TOL		± 3.0 °		EC NO: 620885					
4 PLACES		± 0.2		DRWN: TAKAIKE		2019/07/17			
3 PLACES		± 0.2		CHK'D: SAKIYAMA		2019/07/19			
2 PLACES		± 0.2		APPR: KOMURAKAMI		2019/07/31			
1 PLACE		± 0.2		INITIAL REVISION:					
0 PLACES		± 0.2		DRWN: TAKAIKE		2017/02/10			
				APPR: TKANEKO		2017/04/03			
DRAFT WHERE APPLICABLE MUST REMAIN WITHIN DIMENSIONS				THIRD ANGLE PROJECTION		DRAWING		SERIES	
						A3-SIZE		505432	
DOCUMENT STATUS				P1		RELEASE DATE		2019/07/31 10:52:35	
DOCUMENT NUMBER		DOC TYPE		DOC PART		REVISION			
5054320000		PSD		000		D			
MATERIAL NUMBER				CUSTOMER		SHEET NUMBER			
SEE SHEET 3				GENERAL		2 OF 3			

△ 3 適用製品及び各種仕様書 APPLICABLE PRODUCTS AND VARIOUS SPECIFICATIONS

梱包仕様書 PACKAGING SPECIFICATION	製品番号 PART NUMBER	仕様書番号 SPECIFICATION NUMBER	
	505432**0*	5054329200 PS 200	
適用端子 APPLICABLE TERMINAL	製品番号 PART NUMBER	めっきタイプ PLATING TYPE	電線サイズ WIRE SIZE(AWG)
	5054311000	TIN	#26-30
適用嵌合相手 MATE WITH	TIN PLATING		
シリーズ番号 SERIES NO.	VERTICAL	RIGHT ANGLE	
製品仕様書 PRODUCT SPECIFICATION	505433****	505448**7*	
アプリケーション仕様書 APPLICATION SPECIFICATION	5054320000 PS 002		
	AS-505432-001 (JAPANESE/ENGLISH)		

△ 4 505432\*\*0\* 製品番号一覧 PRODUCT NUMBER LIST

緑 GREEN	青 BLUE	赤 RED	黒 BLACK	ナチュラル ( ベージュ ) NATURAL(BEIGE)	HOUSING COLOR
5054324206	5054324204	5054324202	5054324201	5054324200	42
5054324006	5054324004	5054324002	5054324001	5054324000	40
5054323806	5054323804	5054323802	5054323801	5054323800	38
5054323606	5054323604	5054323602	5054323601	5054323600	36
5054323406	5054323404	5054323402	5054323401	5054323400	34
5054323206	5054323204	5054323202	5054323201	5054323200	32
5054323006	5054323004	5054323002	5054323001	5054323000	30
5054322806	5054322804	5054322802	5054322801	5054322800	28
5054322606	5054322604	5054322602	5054322601	5054322600	26
5054322406	5054322404	5054322402	5054322401	5054322400	24
5054322206	5054322204	5054322202	5054322201	5054322200	22
5054322006	5054322004	5054322002	5054322001	5054322000	20
5054321806	5054321804	5054321802	5054321801	5054321800	18
5054321606	5054321604	5054321602	5054321601	5054321600	16
5054321406	5054321404	5054321402	5054321401	5054321400	14
5054321206	5054321204	5054321202	5054321201	5054321200	12
5054321006	5054321004	5054321002	5054321001	5054321000	10
5054320806	5054320804	5054320802	5054320801	5054320800	8
発注番号 ORDER NO					極数 CIRCUIT SIZE
梱包形態 : ポリ袋 PACKAGING : POLYBAG PACKAGE					

THIS DRAWING CONTAINS INFORMATION THAT IS PROPRIETARY TO MOLEX ELECTRONIC TECHNOLOGIES, LLC AND SHOULD NOT BE USED WITHOUT WRITTEN PERMISSION									
DIMENSION UNITS		SCALE		CURRENT REV DESC: REVISED					
mm		NTS		 MICRO-LOCK PLUS 1.25 W/B DUAL ROW RECEPTACLE HOUSING					
GENERAL TOLERANCES (UNLESS SPECIFIED)									
ANGULAR TOL		± 3.0 °		EC NO: 620885					
4 PLACES		± 0.2		DRWN: TAKAIKE 2019/07/17					
3 PLACES		± 0.2		CHK'D: SAKIYAMA 2019/07/19					
2 PLACES		± 0.2		APPR: KOMURAKAMI 2019/07/31					
1 PLACE		± 0.2		INITIAL REVISION:					
0 PLACES		± 0.2		DRWN: TAKAIKE 2017/02/10					
				APPR: TKANEKO 2017/04/03					
DRAFT WHERE APPLICABLE MUST REMAIN WITHIN DIMENSIONS				THIRD ANGLE PROJECTION		DRAWING		SERIES	
						A3-SIZE		505432	
DOCUMENT NUMBER				DOC TYPE		DOC PART		REVISION	
5054320000				PSD		000		D	
MATERIAL NUMBER				CUSTOMER		SHEET NUMBER			
SEE SHEET 3				GENERAL		3 OF 3			