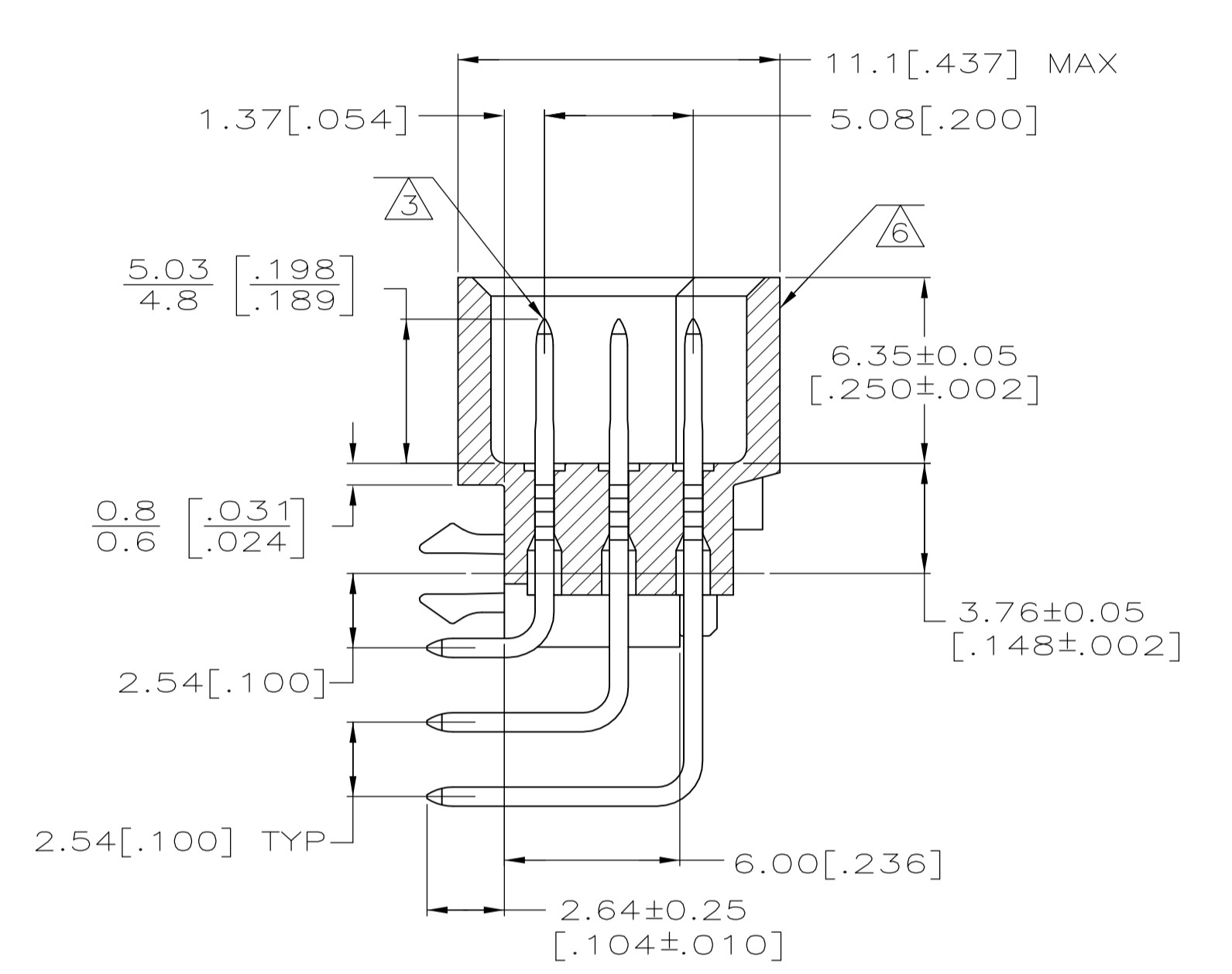


- 1 HOUSING MATERIAL: GLASS-FILLED, POLYMER.
- 2 POST MATERIAL: COPPER ALLOY.
- 3 POST FINISH: DIN 41612 CLASS 2 IN CONTACT AREA. TIN PLATE ON POSTS.
- 4 RECOMMENDED HOLE SIZE FOR MANUAL APPLICATION OF CONNECTOR ONTO PC BOARD.
- 5 PART NUMBER, DATE CODE MARKED THIS APPROXIMATE AREA.
- 6 MARKING ON THIS SIDE.
- 7 CSA LOGO MOLDED IN THIS AREA.



SECTION Z-Z

NOTES	1-32	X	X	X	96	5536416-5
POSITIONS LOADED		C	B	A	NO. OF LOADED POSITIONS	PART NUMBER
ROWS LOADED						

THIS DRAWING IS A CONTROLLED DOCUMENT.		DIN J. POLIGNONE 26APR05	Tyco Electronics Corporation Harrisburg, Pa 17105-3608	
DIMENSIONS: mm [INCHES]		CIK A. SHARPE 26APR05	NAME ASSEMBLY, PIN, EUROCARD, TYPE C, 96 POSITION, .104 SOLDER POST, WITH BOARD-LOCKS	
TOLERANCES UNLESS OTHERWISE SPECIFIED:		APVD A. SHARPE 26APR05	APPLICATION SPEC	
0. PLC ± -	1. PLC ± -	SIZE CASE CODE DRAWING NO. A1 00779 C=5536416		RESTRICTED TO
2. PLC ± -	3. PLC ± 0.13 [.005]	WEIGHT		SCALE 5:1 SHEET 1 OF 1 REV 02
4. PLC ± -	ANGLES ± -	CUSTOMER DRAWING		