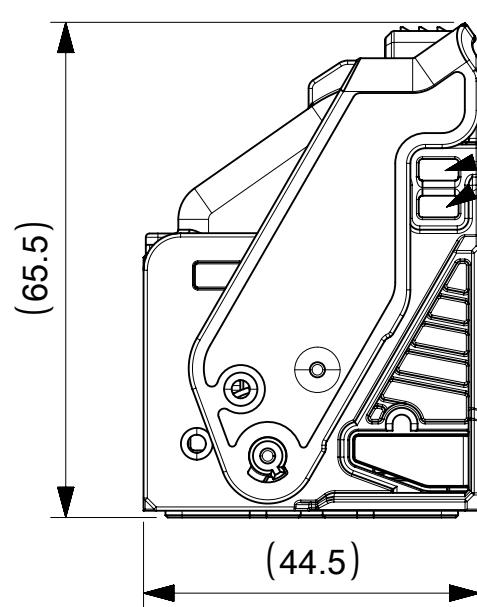
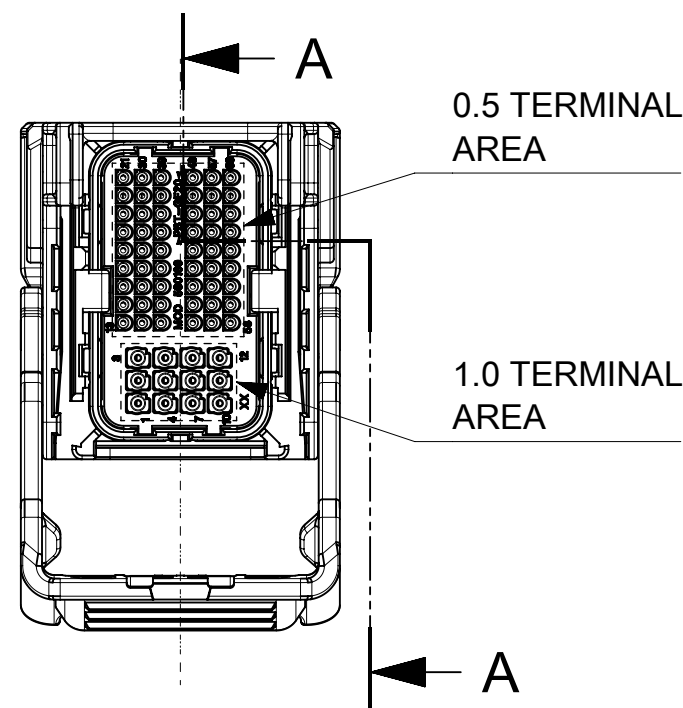
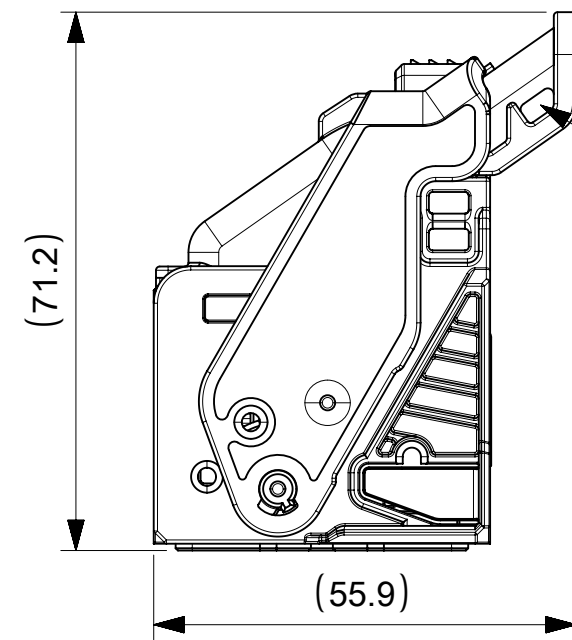


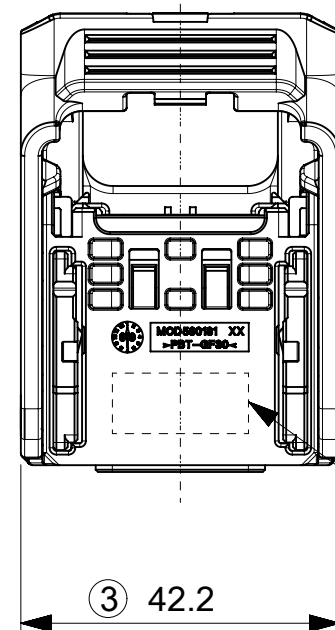
WIRE DRESS COVER OPTION



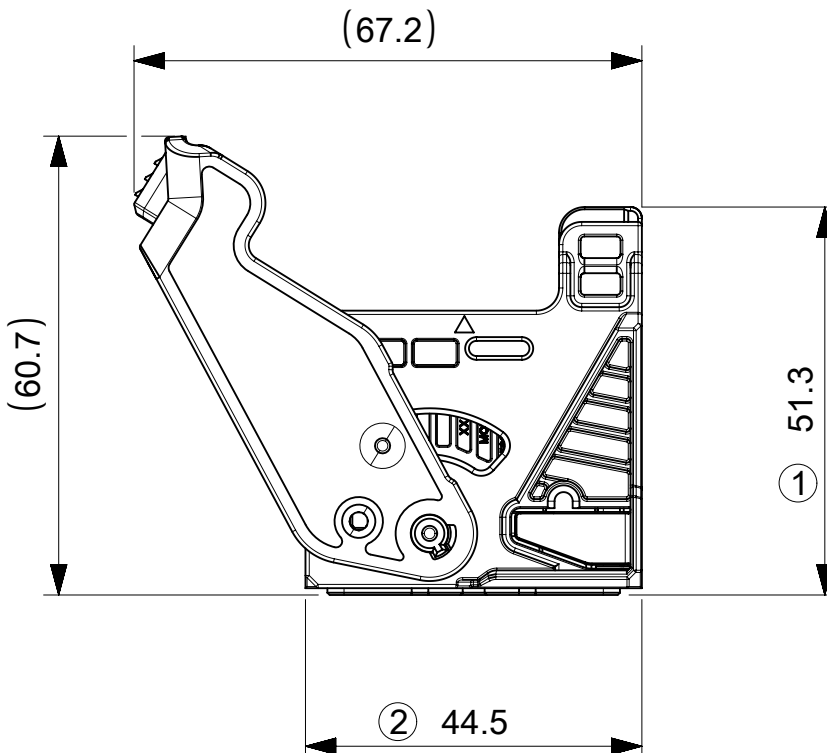
SHORT WIRE DRESS COVER



LONG WIRE DRESS COVER



LOT MARKING
- MATERIAL No.
- DATE
- SHIFT



NOTES

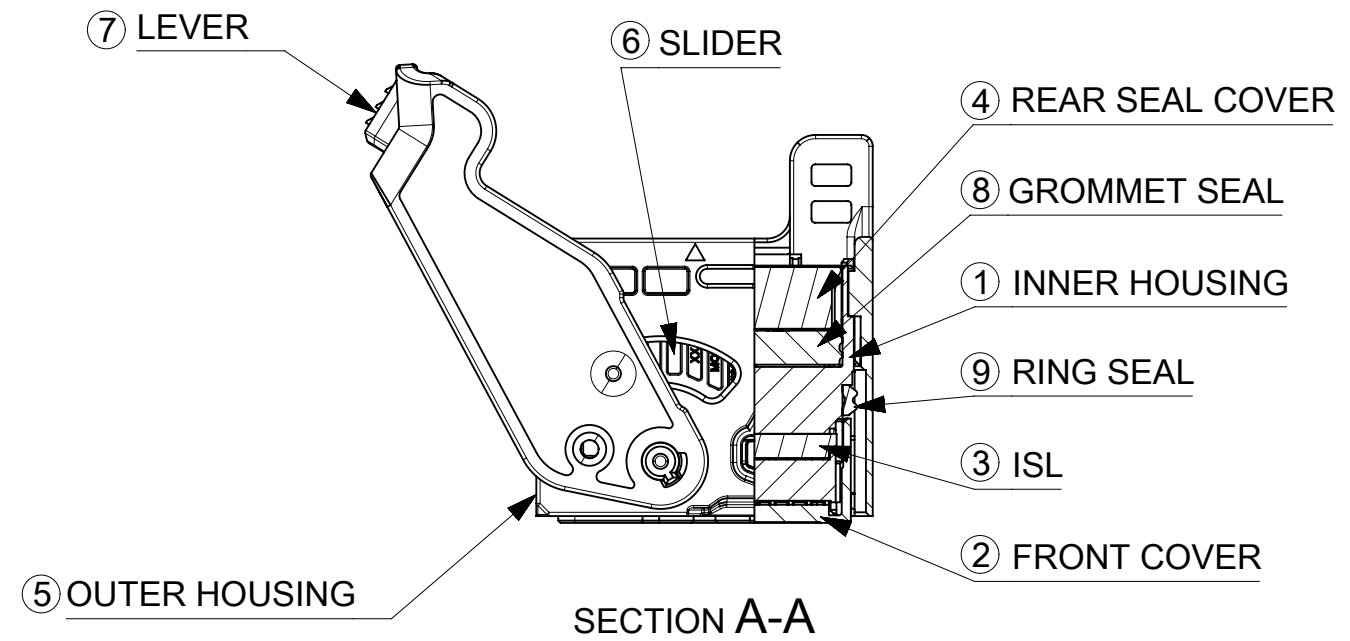
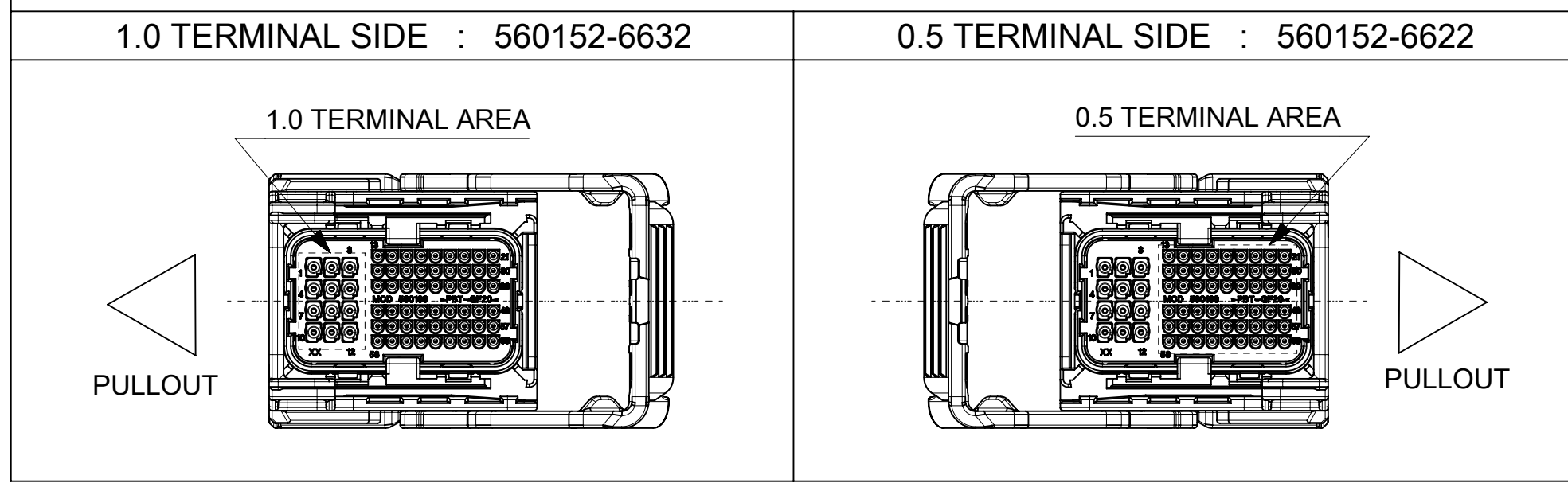
- | | |
|--|---|
| 1. APPLICABLE TERMINAL
0.5 : 560121 SERIES
1.0 : 560205 SERIES | 4. APPLICABLE DUMMY PLUG
0.5 : 560144-0115
1.0 : 503131-0151 |
| 2. APPLICABLE WIRE SIZE
0.5 : REFER AS-560121-001
1.0 : REFER AS-560205-001 | 5. APPLICABLE WIRE DRESS COVER
SHORT : 560189-0101
LONG : 560189-0111 |
| 3. APPLICABLE INSULATION DIAMETER
0.5 : $\varnothing 1.1 \sim 1.7$ mm
1.0 : $\varnothing 1.25 \sim 2.3$ mm | |

0.5 TERMINAL SIDE	560152-6622
1.0 TERMINAL SIDE	560152-6632
WIRE PULLOUT DIRECTION	MATERIAL No.

GENERAL TOLERANCES (UNLESS SPECIFIED)	
10 UNDER	± 0.3
10 OVER 30 UNDER	± 0.4
30 OVER	± 0.5
ANGULAR	$\pm 5^\circ$

THIS DRAWING CONTAINS INFORMATION THAT IS PROPRIETARY TO MOLEX ELECTRONIC TECHNOLOGIES, LLC AND SHOULD NOT BE USED WITHOUT WRITTEN PERMISSION		CURRENT REV DESC:		molex	
DIMENSION UNITS	SCALE	EC NO: 620306			
mm	1:1	DRWN: KKATO01 2019/06/03		COMPACTUS 66WAY ASSY	
GENERAL TOLERANCES (UNLESS SPECIFIED)		CHK'D: TIIDA01 2019/07/17			
ANGULAR TOL	\pm	APPR: TOSADA 2019/07/18		PRODUCT CUSTOMER DRAWING	
4 PLACES	\pm	INITIAL REVISION:		DOCUMENT NUMBER	
3 PLACES	\pm	DRWN: KKATO01 2019/06/03		5601520002-SD	
2 PLACES	\pm	APPR: TOSADA 2019/07/18		DOC TYPE	
1 PLACE	\pm	MATERIAL NUMBER		PSD	
0 PLACES	\pm	CUSTOMER		000	
DRAFT WHERE APPLICABLE MUST REMAIN WITHIN DIMENSIONS		THIRD ANGLE PROJECTION	DRAWING	SERIES	SHEET NUMBER
			A3-SIZE	560152	1 OF 2

WIRE PULLOUT DIRECTION



No.	PRODUCT NAME	MATERIAL	COLOR
1	INNER HOUSING	PBT, UNFILLED	BLACK
2	FRONT COVER	PBT, GLASS-FILLED	BLACK
3	ISL	PBT, GLASS-FILLED	NATURAL (WHITE)
4	REAR SEAL COVER	PBT, GLASS-FILLED	BLACK
5	OUTER HOUSING	PBT, GLASS-FILLED	BLACK
6	SLIDER	PA, GLASS-FILLED	NATURAL (WHITE)
7	LEVER	PBT, GLASS-FILLED	DARK GRAY
8	GROMMET SEAL	SILICONE RUBBER	BROWN
9	RING SEAL	SILICONE RUBBER	YELLOW

THIS DRAWING CONTAINS INFORMATION THAT IS PROPRIETARY TO MOLEX ELECTRONIC TECHNOLOGIES, LLC AND SHOULD NOT BE USED WITHOUT WRITTEN PERMISSION		CURRENT REV DESC:		molex	
DIMENSION UNITS	SCALE	EC NO: 620306			
mm	1:1	DRWN: KKATO01 2019/06/03		COMPACTUS 66WAY ASSY	
GENERAL TOLERANCES (UNLESS SPECIFIED)		CHK'D: TIIDA01 2019/07/17			
ANGULAR TOL	± °	APPR: TOSADA 2019/07/18		PRODUCT CUSTOMER DRAWING	
4 PLACES	±	INITIAL REVISION:		DOCUMENT NUMBER	
3 PLACES	±	DRWN: KKATO01 2019/06/03		5601520002-SD	
2 PLACES	±	APPR: TOSADA 2019/07/18		DOC TYPE	
1 PLACE	±	MATERIAL NUMBER		PSD	
0 PLACES	±	CUSTOMER		000	
DRAFT WHERE APPLICABLE MUST REMAIN WITHIN DIMENSIONS		THIRD ANGLE PROJECTION	DRAWING	SERIES	SHEET NUMBER
			A3-SIZE	560152	2 OF 2