

PART NAME

NEMA 4 ENCLOSURE

PART No.

AN-1305, AN-1305-G, AN-2805 & AN-2805-B

REV. DATE

2-12-04

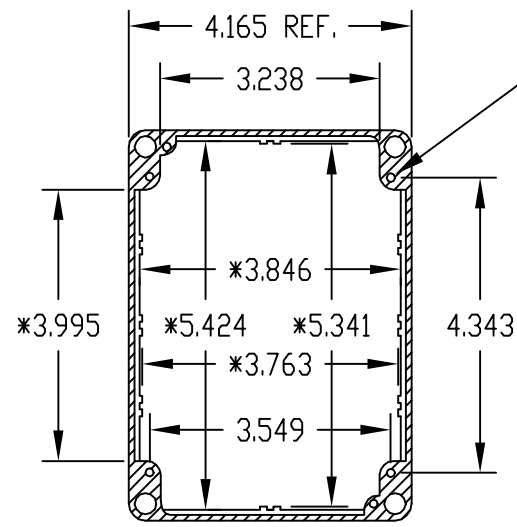
MATERIAL: ALUMINUM ALLOY #ADC-10

FINISH: NATURAL (NO SUFFIX)  
GRAY (SUFFIX -G)  
SMOOTH BLACK (SUFFIX -B)

FOUR (4) M4 x 20mm (0.787") LG. SCREWS SUPPLIED FOR ASSEMBLY.

TWO (2) M3.5 x 6mm LG. NICKEL PLATED SCREWS AND WASHERS SUPPLIED FOR GROUNDING

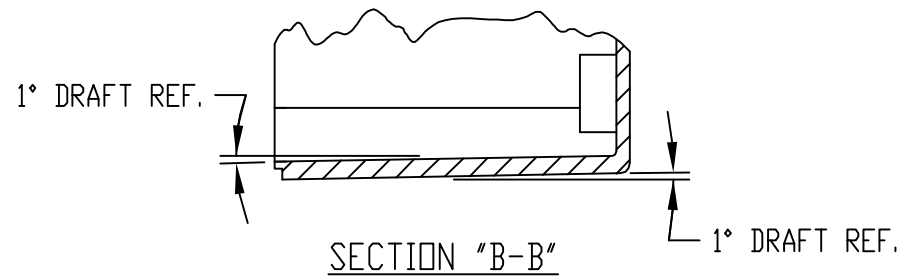
ALL DIMENSIONS HAVE ±0.015 TOLERANCE UNLESS OTHERWISE SPECIFIED



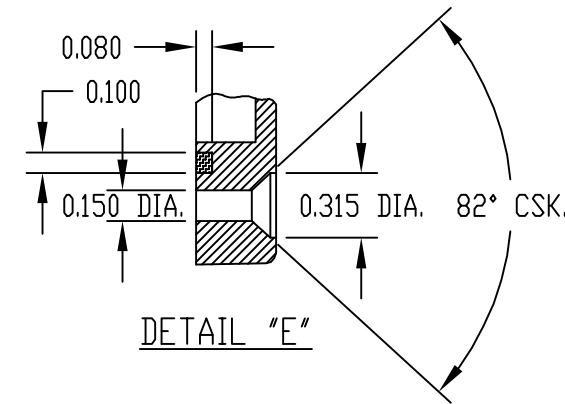
0.125 DIA. x 0.250 DEEP  
(4) HOLES  
ACCEPTS EITHER M3.5 METRIC  
OR #6 STD. SHEET METAL  
SCREWS x 0.250" LG.  
(NOT SUPPLIED)

1° DRAFT REF.

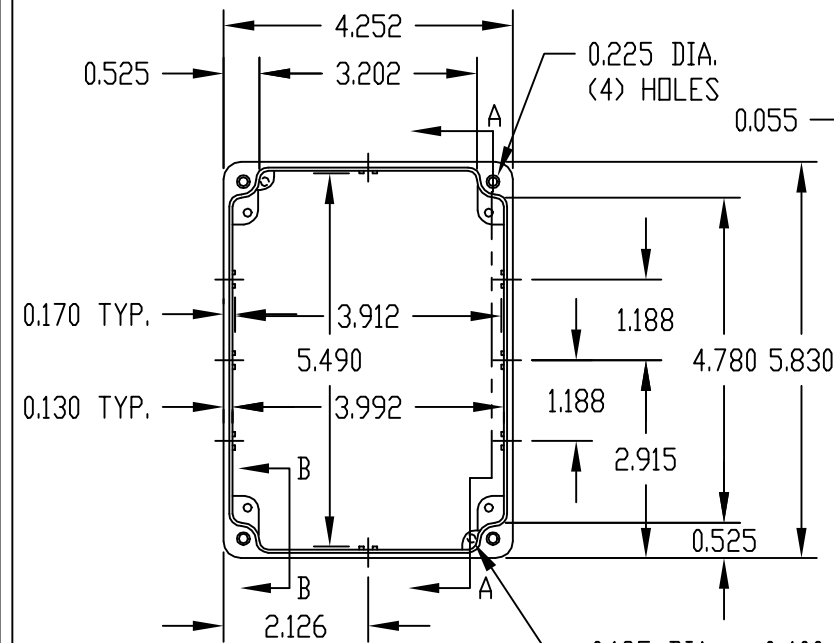
SECTION "C-C"  
\* DIMENSIONS ARE AT  
BOTTOM OF ENCLOSURE



SECTION "B-B"

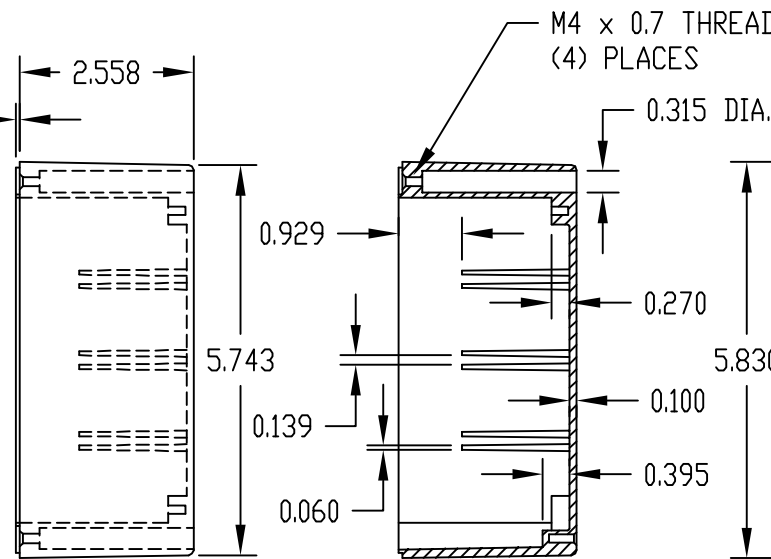


DETAIL "E"

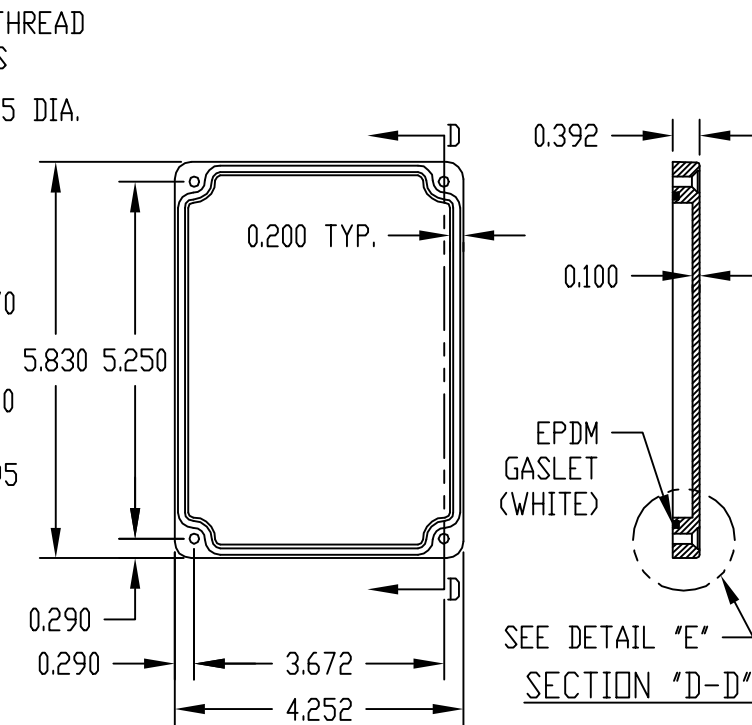


0.125 DIA. x 0.400 DEEP  
(2) PLACES FAR SIDE

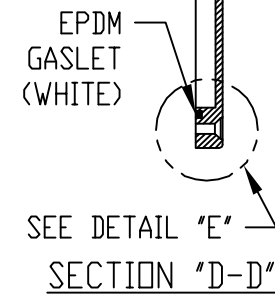
BODY



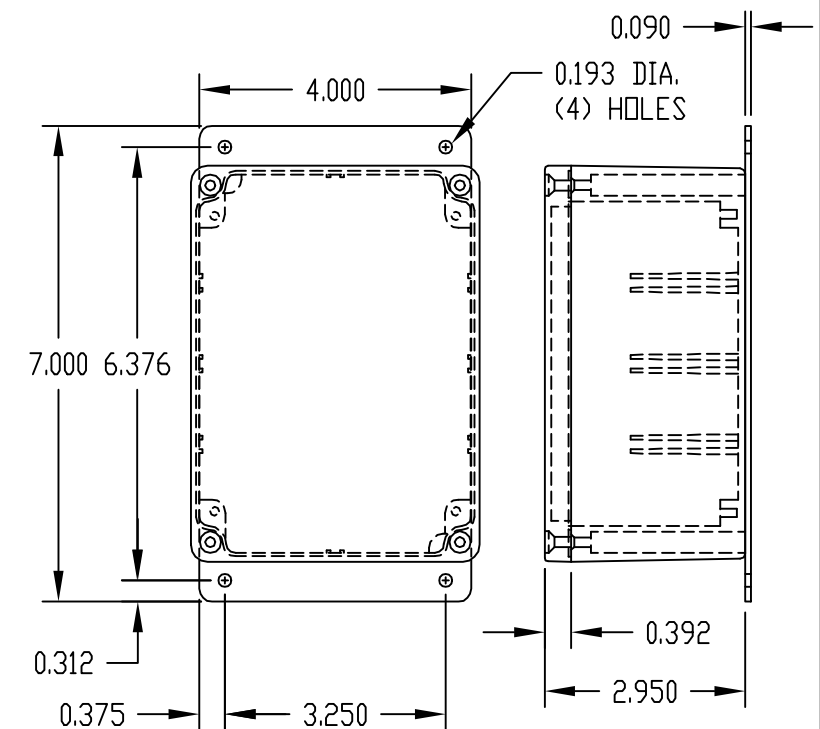
SECTION "A-A"



COVER



EPDM GASLET (WHITE)  
SEE DETAIL "E"



PART NO. AN-2805 & AN-2805-B  
ARE SUPPLIED WITH A WELDED  
ON MOUNTING BRACKET ONLY.