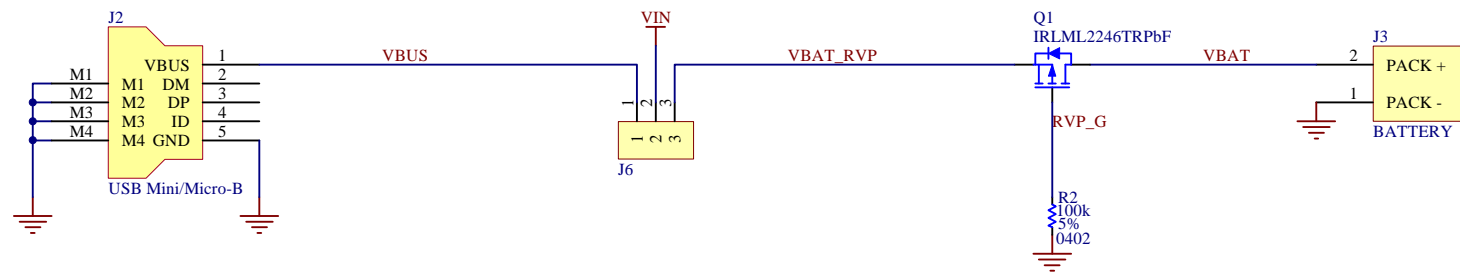
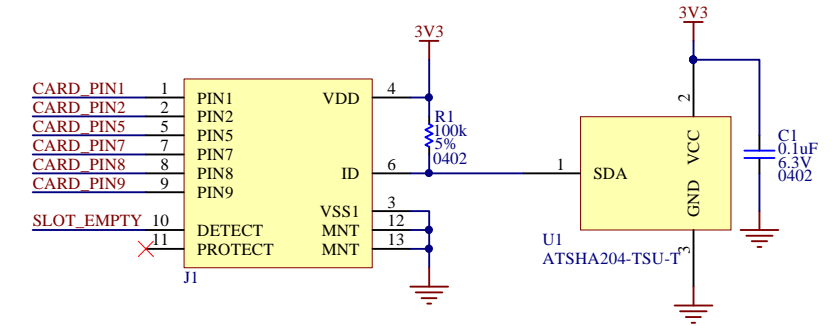


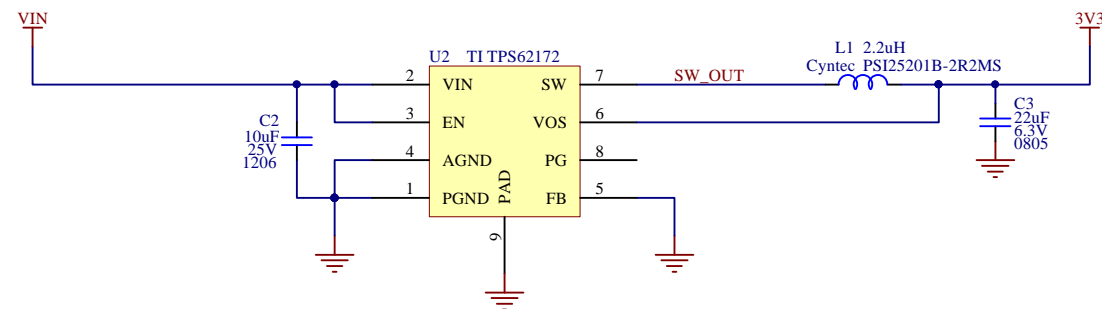
## Input Power



## Imp Slot and ID Chip



## 3V3 Buck Power Supply



## Breakout Area

