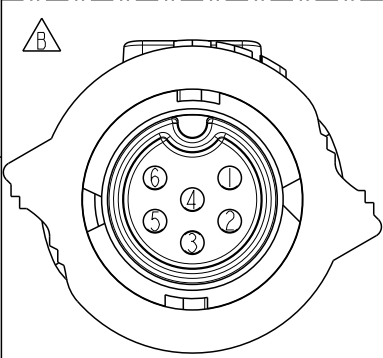
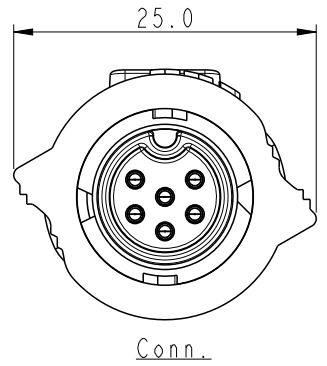
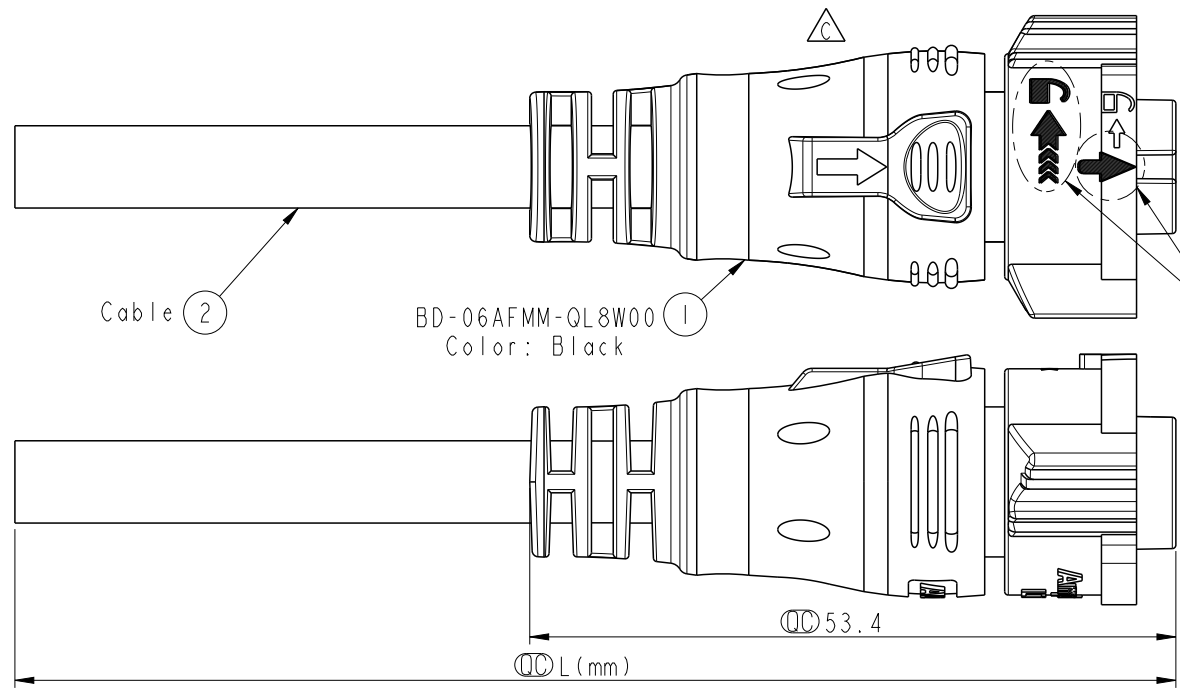
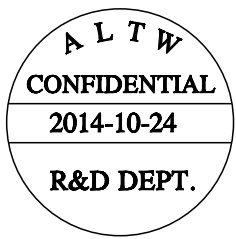


REV.	ECN NO.	DATE	SIGN	DESCRIPTION
B	C200696	2020/05/19	Angel Chou	△ x 1
C	C200726	2020/05/22	Angel Chou	△ x 1



Pin Assignments Front View

6	Green	綠
5	Yellow	黃
4	Orange	橙
3	Red	紅
2	Brown	棕
1	Black	黑
Conn.	Wire Color	
	Pin Out	

BD-06AFMM-QL8DXX  
 ↑  
 XX :01~99Meters  
 01 :01Meter  
 02 :02Meters  
 :  
 :  
 :  
 99 :99Meters  
 Cable Length(L):01~99Meters

- Note:
- \* (Ⓞ) Important Dimension To Check.
  - \* Waterproof Rate: IP68(Mated)
  - \* Working Voltage Rating: AC 300 V
  - \* Working Current Rating: 5A
  - \* Flame Class: UL94V-0 (UV Resistance)
  - \* Housing: Nylon+GF, Black.
  - \* Male Pin: Copper Alloy, Gold Plated.
  - \* Rubber: Silicone, Gray
  - \* Cable: UL21388 20AWG\*6C+AL+My PVC Jacket UV Resistant, OD=6.8, Black.
  - \* Cable Length Tolerance: 01M:±40mm  
 02M~05M:±60mm  
 06M~10M:±100mm  
 11M~30M:±200mm  
 31M~99M:±500mm

UNIT:mm	
TOLERANCE	±0.5mm

TITLE X-Lok B-Size Molding F Conn M 6 Pin			
SCALE 8:5	SIZE A4	SHEET 1 OF 1	
REV. C	WC-REV. A.1	Ⓞ: Inspection item	

**Amphenol LTW**  
 安費諾亮泰企業股份有限公司

ITEM NO	DRAWN BY Micky	DATE 2014-10-24
DWG NO BD-06AFMM-QL8DXX	CHECKED BY Spring	DATE 2014-10-24
CUSTOMER ALTW	APPROVED BY Kevin	DATE 2014-10-24

THIS DOCUMENT IS SUBJECT TO CHANGE WITHOUT NOTICE. IT IS CONFIDENTIAL AND A PROPERTY OF AMPHENOL LTW. DISCLOSURE TO THIRD PARTY HAS TO BE AUTHORIZED BY AMPHENOL LTW.