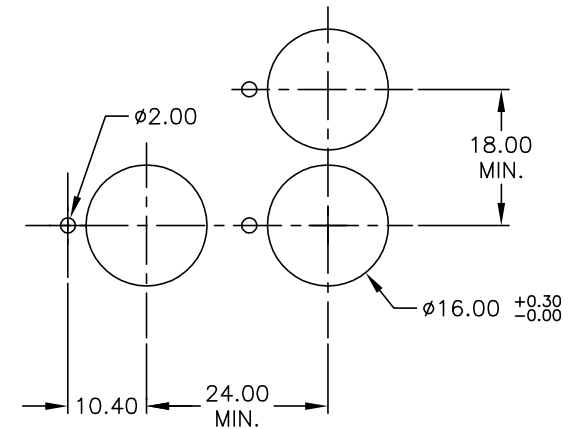
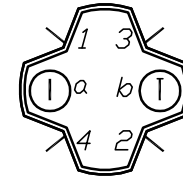
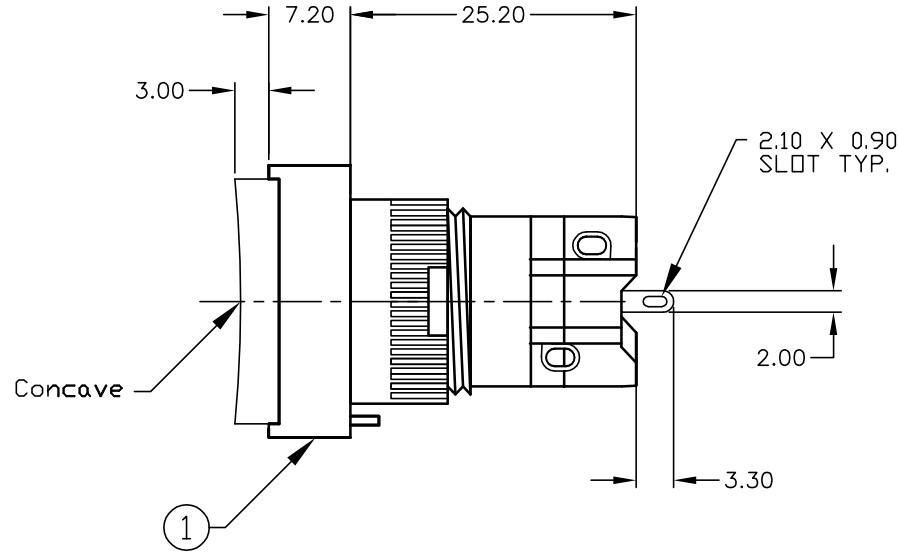
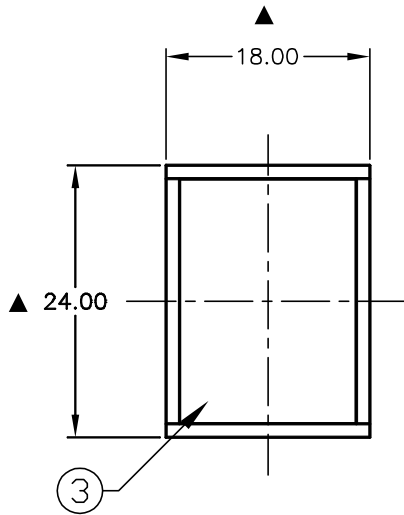


PARTS LIST

ITEM	QTY.	PART NO.	PART DESCRIPTION
1	1	F040004	D16 EE T1 1
2	1	F050404	50-004-04 (Incandescent Bulb)
3	1	F052204	50-002-04 (Opaque RED lens)



1 0 | 0 2
 3 0 | 0 4
 a-(L)-b(+)

SPST
 CONTACT CONFIGURATION

RECOMMENDED PANEL MOUNTING

SCALE 1:1

NOTES:

1. ALL DIMENSIONS IN MM
2. GENERAL TOLERANCE: X.X=±0.4
X.XX=±0.25
3. RATINGS: 5A @250V AC
8A @125V AC
4. TRAVEL: 3.0mm
5. CONTACT MATERIAL:
COPPER ALLOY W/Silver Plating
- ▲ 6. LAMP VOLTAGE: 14V AC/DC 80mA
7. ▲ DENOTES CRITICAL PARAMETER.

E-SWITCH®

TITLE

D16EET11BRED

REV.	ECN No.	DESCRIPTION	DATE	CHKD
A	13747	RELEASED FOR PRODUCTION	2/3/04	AR

SCALE

1.5:1

DATE

2/3/04

DR

AR

DWG

XF0581P

REV

A

THE INFORMATION CONTAINED IN THIS DOCUMENT
 IS PROPRIETARY TO E-SWITCH AND IS
 NOT TO BE COPIED OR TRANSFERRED