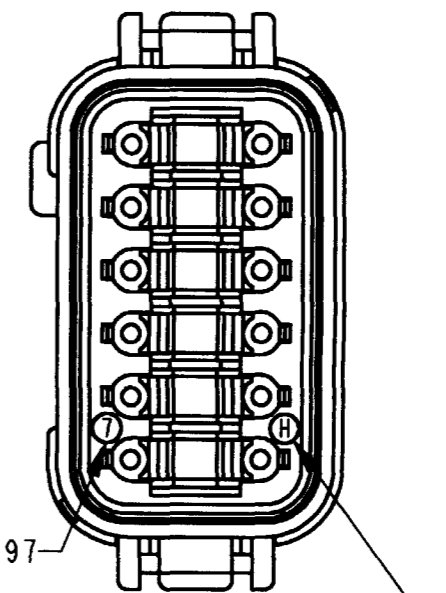
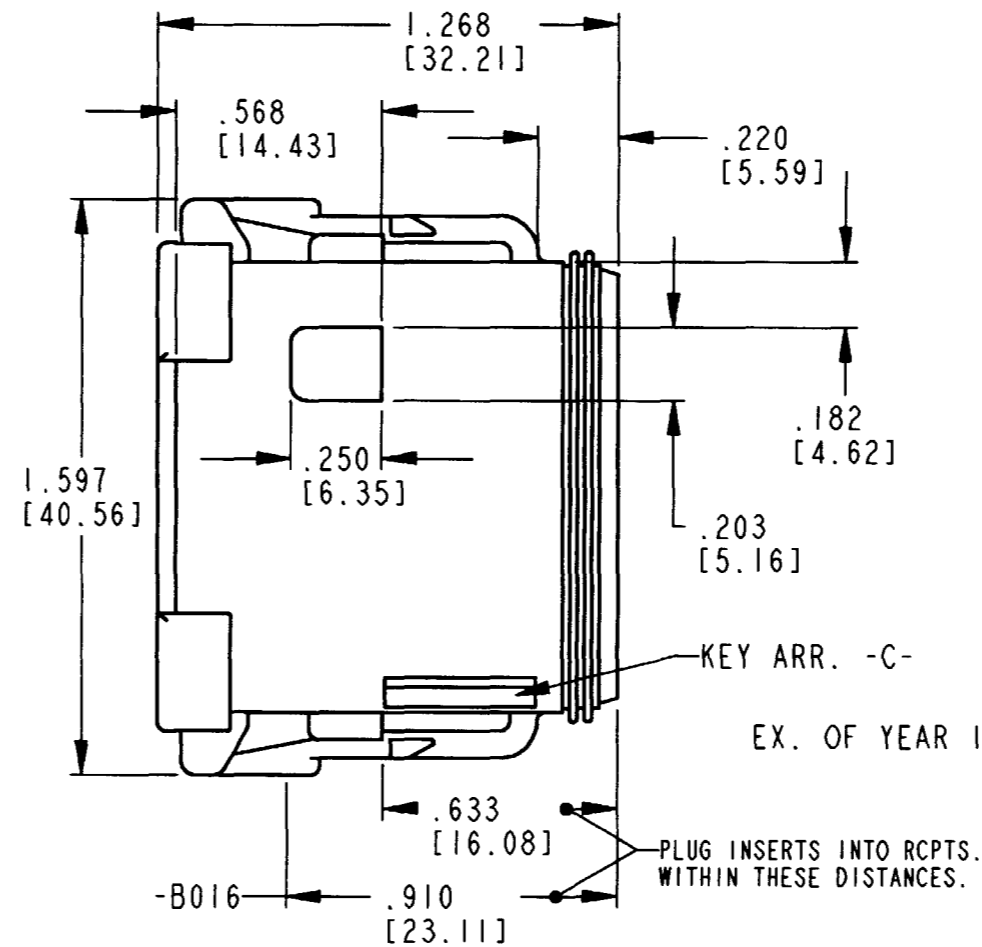
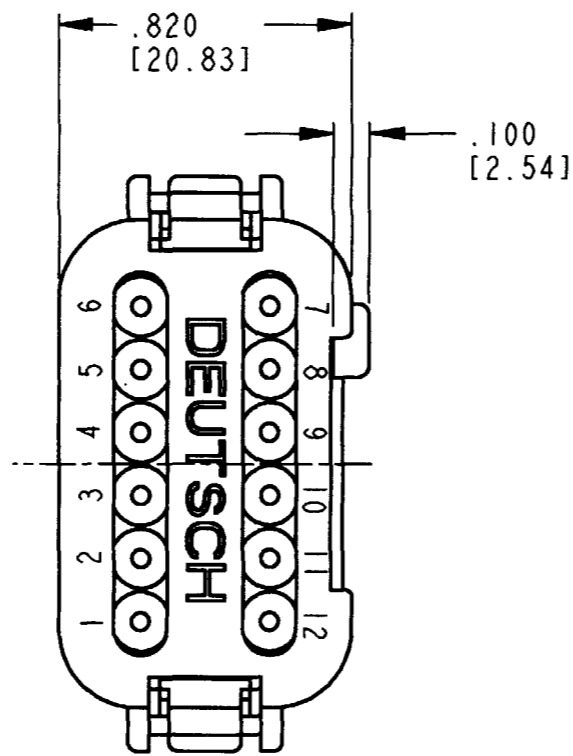
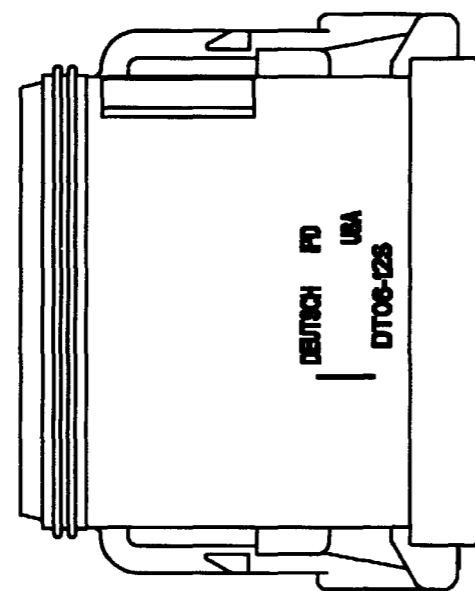


DATE LEGEND

YEAR IS REPRESENTED BY LAST NUMERICAL DIGIT
 MONTH USES SEQUENTIAL ALPHA CHARACTERS, EX: A=JANUARY...

REV
 C DT06-12SC-EP06

REVISIONS			
SYM	DESCRIPTION	DATE	APPROVED
NC	NEW RELEASE PER. E.O. P15089	7/10/96	RDR
A	REVISED PER E.O. P15115	8/15/96	RDR
B	REVISED PER E.O. P15409	9/16/97	RDR
C	REVISED PER E.O. P15827	12-31-98	RDR



KEY ARR. -C-
 EX. OF YEAR 1997
 EX. OF MONTH AUGUST

CONTACT SIZE	MIN. INSUL. O.D.	MAX. INSUL. O.D.	WIRE RANGE
16	.088 [2.23]	.145 [3.68]	14-18 AWG [2.0-0.75mm ²]

- NOTES:
1. ALL DIMENSIONS ARE IN INCHES [METRIC].
 2. ALL DIMENSIONS ARE ±.025[.63].
 3. CONSULT FACTORY FOR CONTACT SPECIFICATION AND APPLICATION.
 4. FOR MORE INFO SEE ENVELOPE DWG. 0425-017-0000 AND 0425-015-0000.
 5. THIS PLUG MATES WITH DT04-12PC-E012, DT13-12PC, DT15-12PC, DT13-12PC-B016, DT15-12PC-B016, RECEPTACLE.
 6. W12-P012 WEDGE LOCK SOLD SEPARATELY.

SIGNATURE & DATE	
DR	S. THEIS AUG-27-97
CHK	<i>[Signature]</i> 12-13-98
PE	<i>[Signature]</i> 12-31-98
APPD	<i>[Signature]</i> 12-31-98
SCALE	NONE
WT	

12 WAY PLUG
 -EP06 MOD.
 KEY ARR. -C-
 COLOR: GREEN
 D.T. SERIES

ENVELOPE

CP	MATL. CODE
The Deutsch Company DEUTSCH I.P.D. 3850 INDUSTRIAL AVE. HEMET, CALIF. 92545	
B	DT06-12SC-EP06
DWG SIZE	CODE 11139 SHEET 1 OF 1