

SUMMARY

Wires

Coax 1



Image is for illustrative purpose only

Series 01
Termination type Female solder
IP rating 50
AWG wire size 0.00 - 0.00
Cable Ø 0.00 - 0.00 mm
Status active

Download

[Request a quote](#)

[Catalog](#)

TECHNICAL DETAILS

Mechanics

Shell Style/Model ECP.01*: Fixed receptacle, nut fixing (back panel mounting)
Keying Circular, female
Housing Material Brass (nickel plated [SAE AMS QQ N 290]) shell, collet nut, latch sleeve and mid pieces
Weight 1.04 g

Performance

Configuration 01.250 : 1 Coax (50 Ohm)
Insulator
Rated Current

Specifications

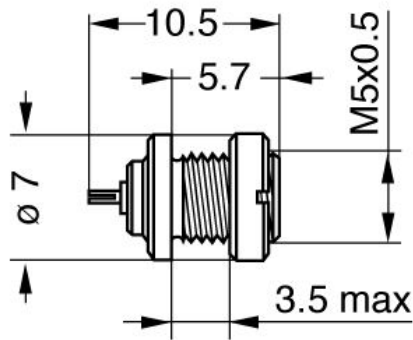
Contact Type: Solder

Others

Endurance (Shell): 1000 mating cycles
Salt Spray Corrosion: >144 hr

LEMO products and services are provided "as is". LEMO makes no warranties or representations with regard to LEMO product & services or use of them, express, implied or statutory, including for accuracy, completeness, or security. The user is fully responsible for his products and applications using LEMO components.

DRAWINGS



Dimensions

	A	E _{max}	L	M	e
mm.	7	3.5	10.5	5.7	M5x0.5
in.	0,28	0,14	0,41	0,22	

RECOMMENDED BY LEMO

Tools

Cables

CCN.50.051.1529NMC			
--------------------	--	--	--

LEMO products and services are provided "as is". LEMO makes no warranties or representations with regard to LEMO product & services or use of them, express, implied or statutory, including for accuracy, completeness, or security. The user is fully responsible for his products and applications using LEMO components.