

6

5

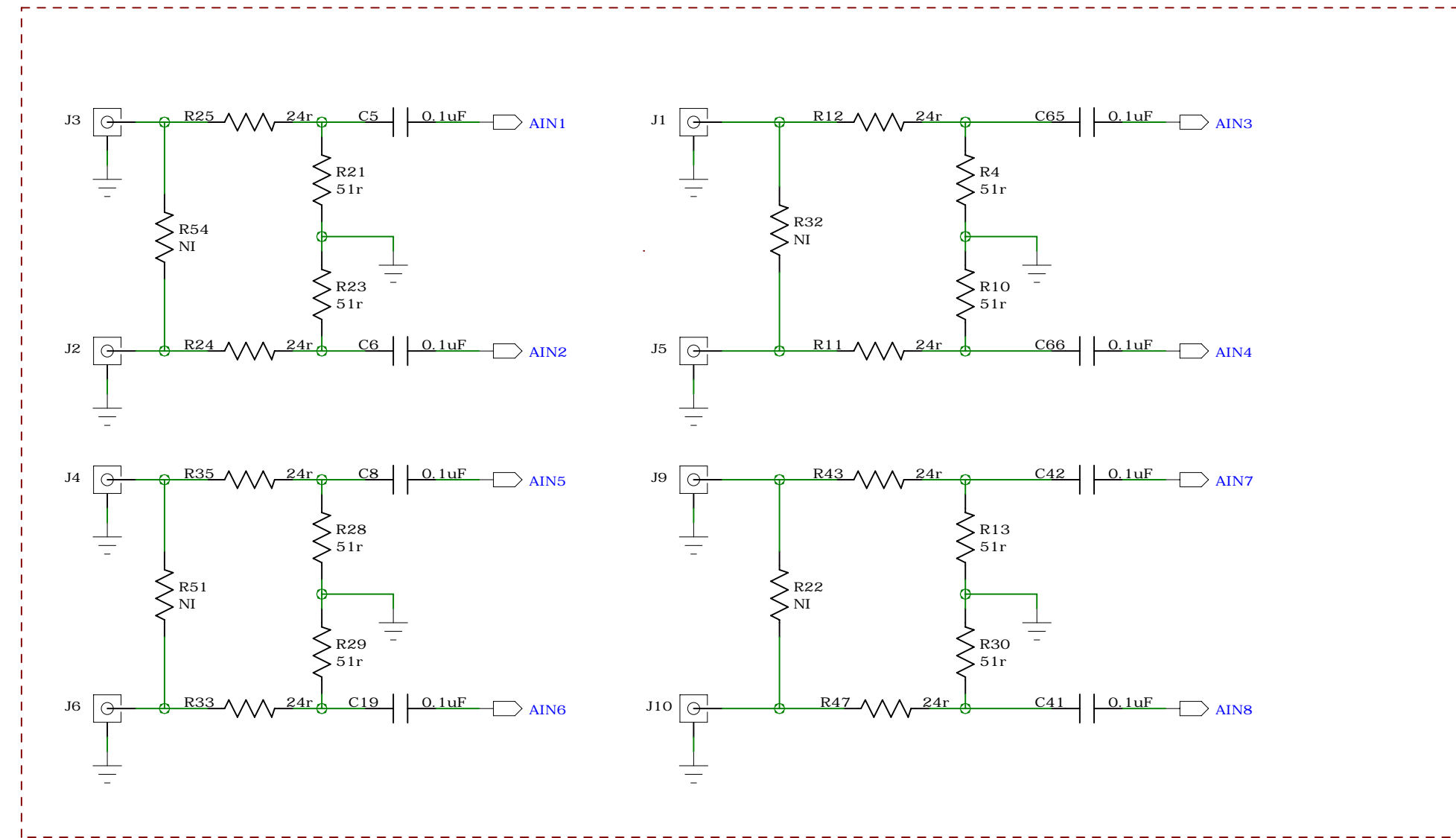
4

3

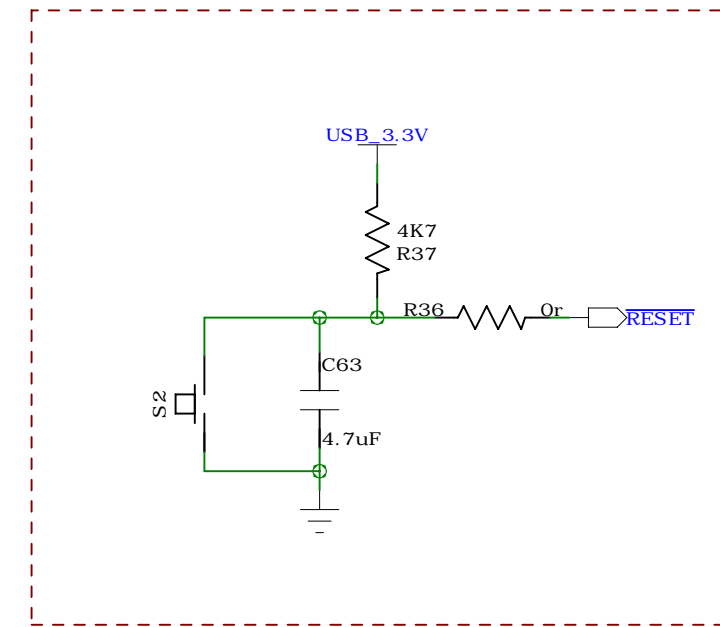
2

1

Analog Front End

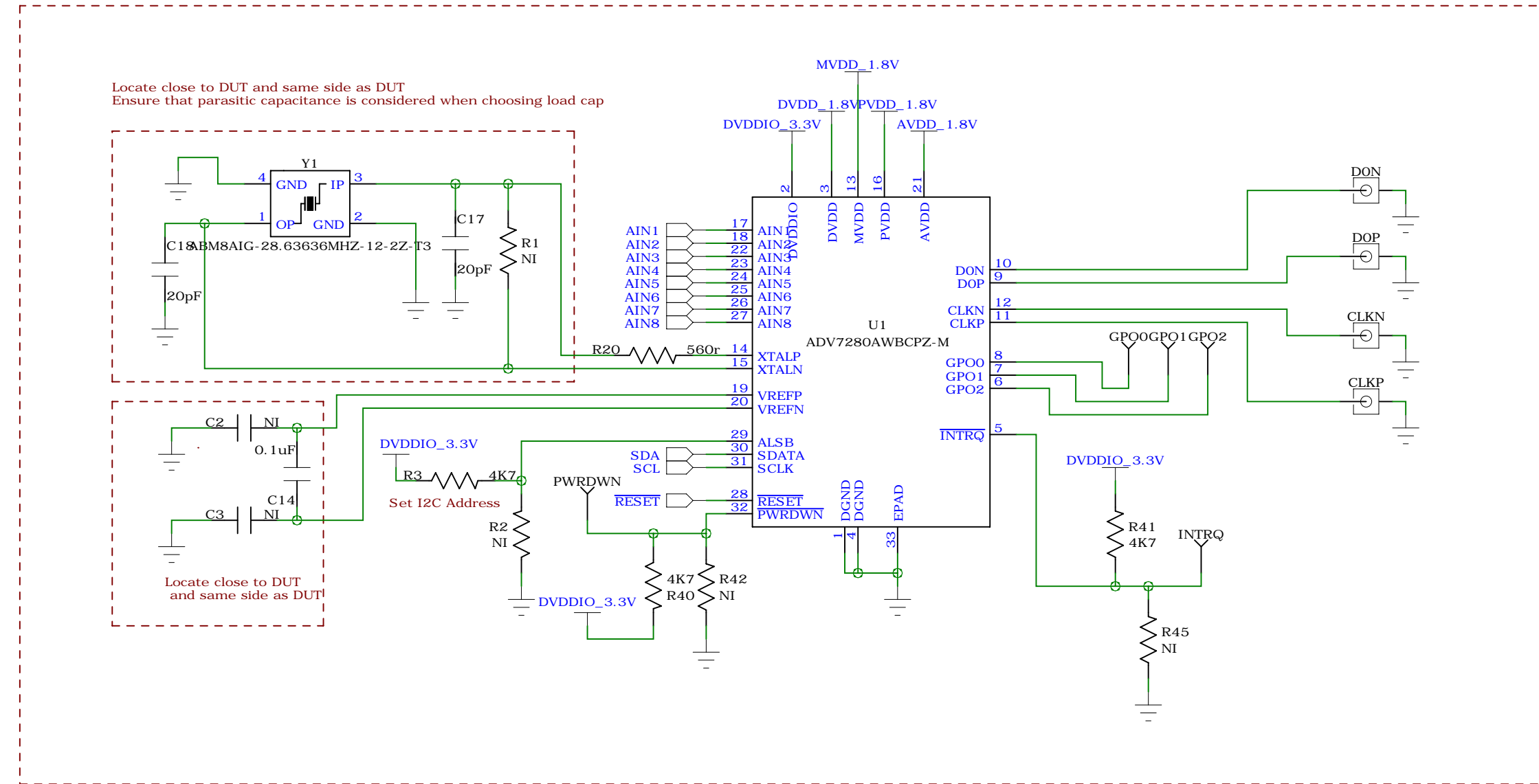


Reset Switch

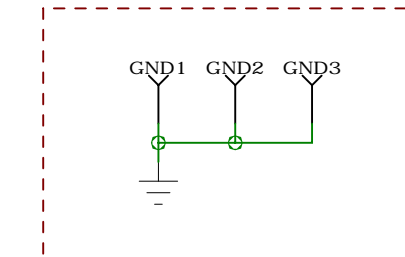


REVISION RECORD			
LTR	ECO NO:	APPROVED:	DATE:

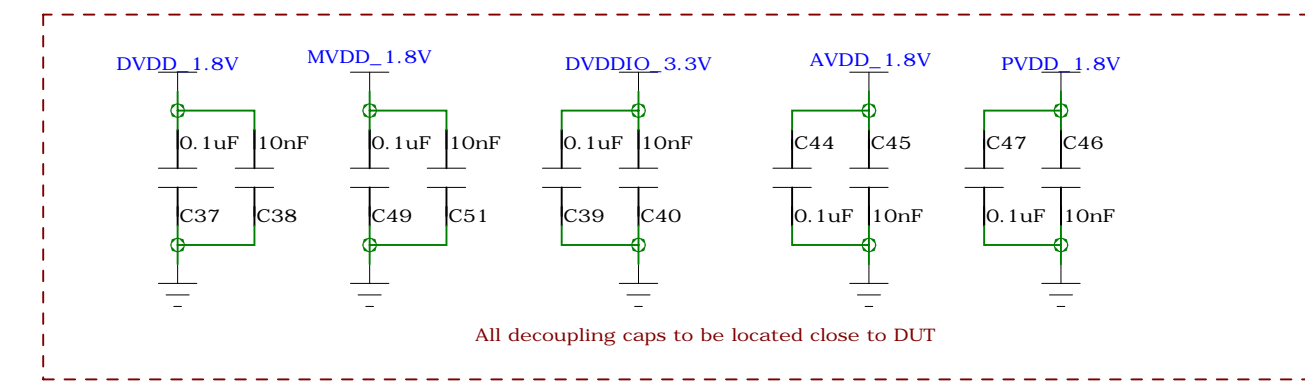
ADV7280A-M



GND Test Points



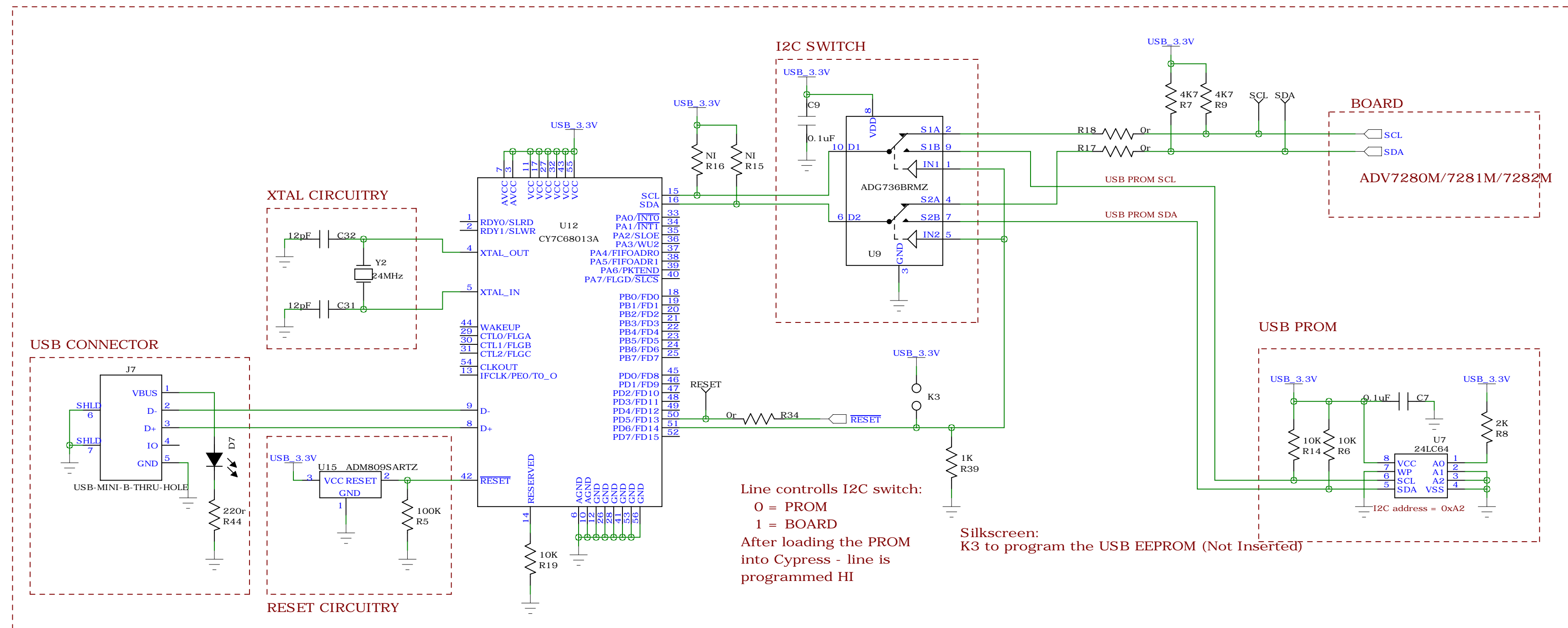
Power Supply Decoupling



COMPANY:		Analog Devices		
TITLE:		EVAL-ADV7280AMEBZ		
DRAWN: Joe Triggs	DATED: April 2017	CODE:	SIZE:	DRAWING NO:
CHECKED: < Checked By >	DATED: < Checked Date >	N/A	A2	ADV7280AM
QUALITY CONTROL: < QC By >	DATED: < QC Date >	REV:		A
RELEASED: < Released By >	DATED: < Release Date >	SCALE: < Scale >		SHEET: 1 OF 3

REVISION RECORD			
LTR	ECO NO:	APPROVED:	DATE:

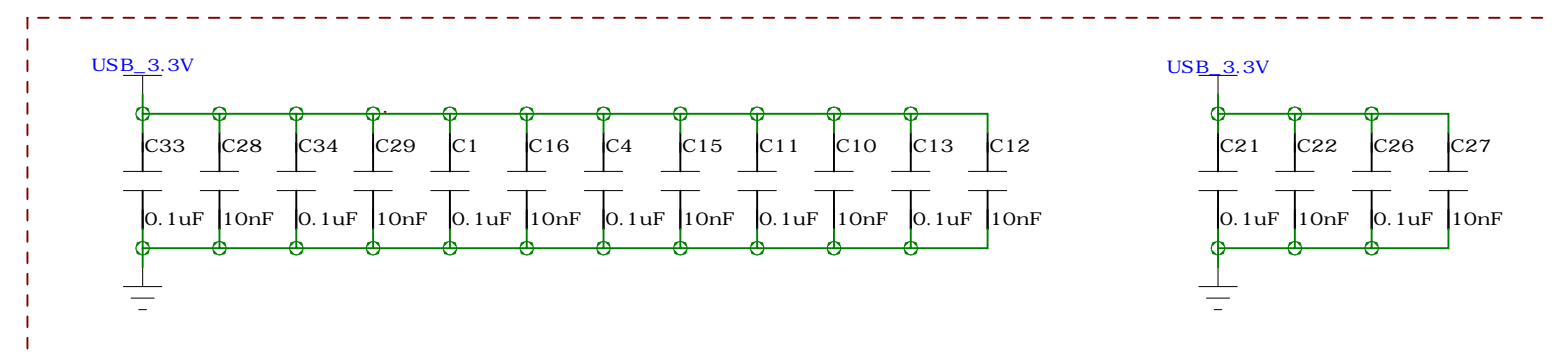
USB



Line controls I2C switch:
 0 = PROM
 1 = BOARD
 After loading the PROM into Cypress - line is programmed HI

Silkscreen:
 K3 to program the USB EEPROM (Not Inserted)

Decoupling



COMPANY: Analog Devices			
TITLE: EVAL-ADV7280AMEBZ			
DRAWN: Joe Triggs	DATED: April 2017	CODE:	SIZE:
CHECKED: <Checked By>	DATED: <Checked Date>	DRAWING NO: ADV7280AM	REV: A
QUALITY CONTROL: <QC By>	DATED: <QC Date>	SCALE: <Scale>	SHEET: 2 OF 3
RELEASED: <Released By>	DATED: <Release Date>		

6

5

4

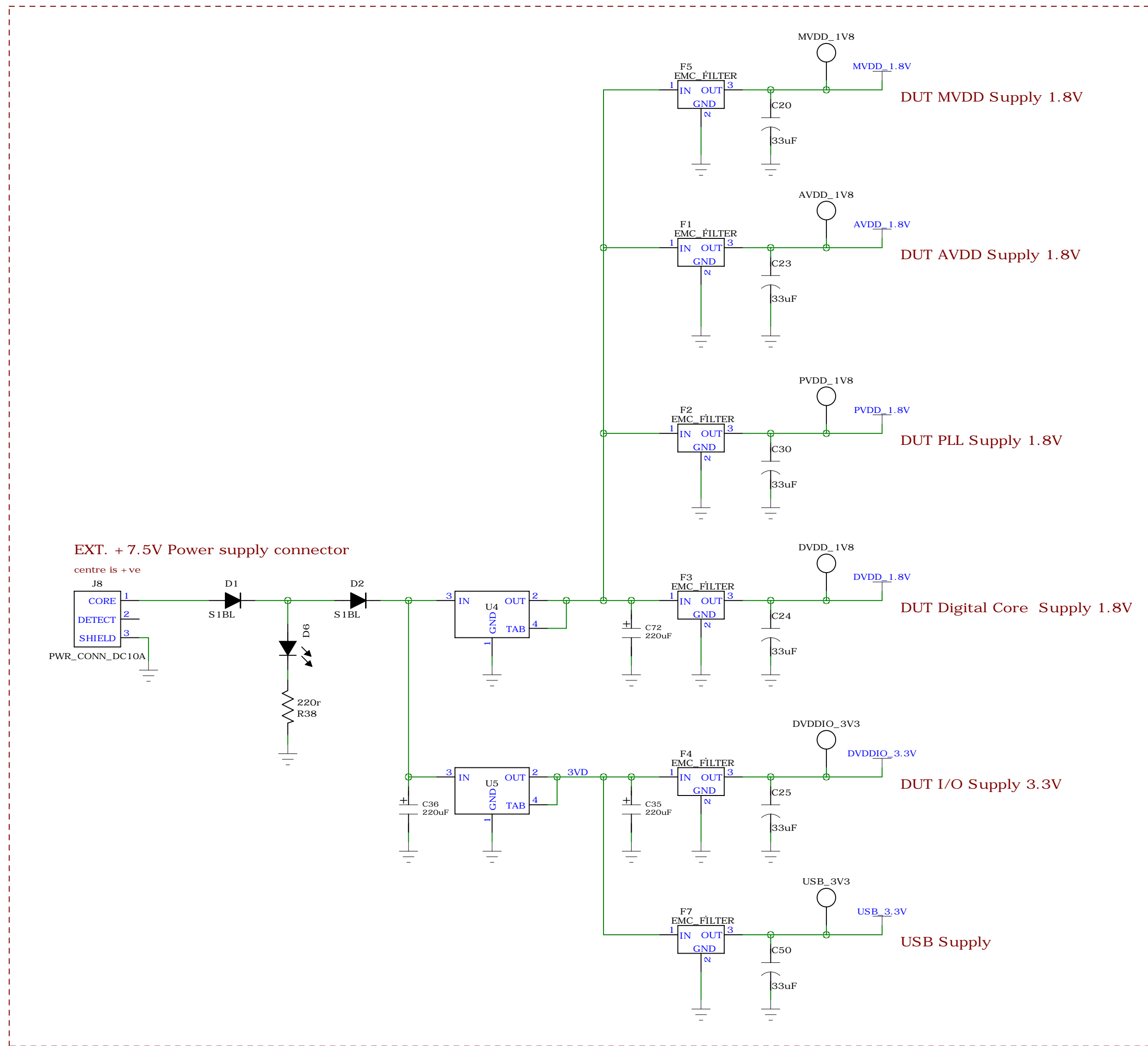
3

2

1

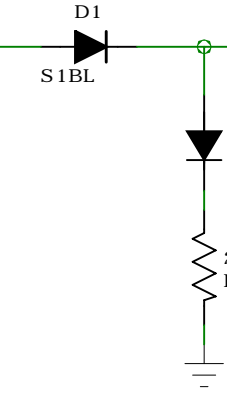
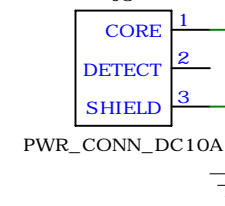
REVISION RECORD			
LTR	ECO NO:	APPROVED:	DATE:

Power Section



EXT. + 7.5V Power supply connector

centre is +ve



COMPANY: Analog Devices

TITLE: EVAL-ADV7280AMEBZ

DRAWN: Joe Triggs	DATED: April 2017
CHECKED: < Checked By >	DATED: < Checked Date >
QUALITY CONTROL: < QC By >	DATED: < QC Date >
RELEASED: < Released By >	DATED: < Release Date >

CODE:	SIZE:	DRAWING NO:	REV:
N/A	A2	ADV7280AM	A
SCALE: < Scale >			SHEET: 3 OF 3