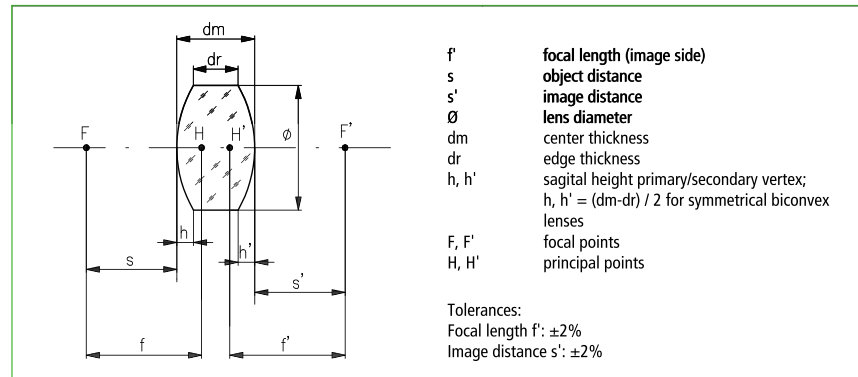


Bikonvexlinsen, gefasst, Durchmesser 6 - 22.4 mm

- In Fassungen kompatibel zur Mikrobank ☒ oder Nanobank ☒
- Linsen bester Form für 1:1-Abbildungen
- Unbeschichtet
- Toleranzen: Brennweite f' : $\pm 2\%$, Bildentfernung s' : $\pm 2\%$
- Zwei gleiche Krümmungsradien

Symmetric-Convex Lenses, Mounted, Dia. 6 - 22.4 mm

- Lens mounts fit to Microbench ☒ or Nanobench ☒
- Precision designed for 1:1 imaging
- Surfaces uncoated
- Tolerances: Focal length f' : $\pm 2\%$, Image distance s' : $\pm 2\%$
- Two equal radii of curvature



Bikonvexlinsen, gefasst, Durchmesser 6 - 22.4 mm Symmetric-convex lenses, mounted, dia. 6 - 22.4 mm

| Fassung | Brennweite (mm) | Optik-Ø (mm) | Material | Außen-Ø D (mm) | Freier-Ø (mm) | dm (mm) | dr (mm) | $s, s'_{588\text{ nm}}$ (mm) | $f'_{546\text{ nm}}$ (mm) | Ø* | Part No. |
|---------|-------------------|---------------|----------|----------------|---------------|---------|---------|------------------------------|---------------------------|----|------------|
| Mount | Focal length (mm) | Ø optics (mm) | Material | Outer-Ø D (mm) | Clear Ø (mm) | dm (mm) | dr (mm) | $s, s'_{588\text{ nm}}$ (mm) | $f'_{546\text{ nm}}$ (mm) | Ø* | Part No. |
| ☒ | 5 | 6 | N-BaK4 | 16 | 5 | 2.9 | 0.9 | 3.95 | 4.97 | 5 | G052201000 |
| ☒ | 7 | 8 | N-BaK4 | 16 | 7 | 3.4 | 1.1 | 6 | 7.14 | 5 | G052202000 |
| ☒ | 10 | 10 | N-BaK4 | 16 | 9 | 3.5 | 1 | 8.78 | 9.93 | 9 | G052203000 |
| ☒ | 12.5 | 12.5 | N-BK7 | 16 | 11.5 | 4.5 | 1 | 10.79 | 12.33 | 9 | G052204000 |
| ☒ | 15 | 12.7 | N-BK7 | 16 | 11.5 | 4 | 1.1 | 13.58 | 14.91 | 9 | G052205000 |
| ☒ | 20 | 12.7 | N-BK7 | 16 | 11.5 | 3 | 0.9 | 18.94 | 19.88 | 9 | G052206000 |
| ☒ | 30 | 12.7 | N-BK7 | 16 | 11.5 | 3 | 1.6 | 28.8 | 29.7 | 9 | G052207000 |
| ☒ | 50 | 12.7 | N-BK7 | 16 | 11.5 | 3 | 2.2 | 48.92 | 49.74 | 9 | G052208000 |
| ☒ | 100 | 12.7 | N-BK7 | 16 | 11.5 | 3 | 2.6 | 99.08 | 99.7 | 9 | G052210000 |
| ☒ | 150 | 12.7 | N-BK7 | 16 | 11.5 | 3 | 2.7 | 148.5 | 148.9 | 9 | G052211000 |
| ☒ | 16 | 18 | N-BK7 | 25 | 17 | 7 | 1.1 | 13.43 | 15.88 | 9 | G063033000 |
| ☒ | 20 | 22.4 | N-BK7 | 25 | 21.4 | 8.8 | 1.6 | 17.05 | 20.13 | 13 | G063020000 |
| ☒ | 25 | 22.4 | N-BK7 | 25 | 21.4 | 7 | 1.6 | 22.4 | 24.74 | 13 | G063021000 |
| ☒ | 30 | 22.4 | N-BK7 | 25 | 21.4 | 6.3 | 2 | 28.01 | 30.06 | 13 | G063022000 |
| ☒ | 40 | 22.4 | N-BK7 | 25 | 21.4 | 5 | 2 | 39.66 | 41.2 | 13 | G063023000 |
| ☒ | 50 | 22.4 | N-BK7 | 25 | 21.4 | 4.5 | 2.1 | 49.88 | 51.19 | 13 | G063024000 |
| ☒ | 60 | 22.4 | N-BK7 | 25 | 21.4 | 4 | 2 | 59.94 | 61.05 | 13 | G063025000 |
| ☒ | 80 | 22.4 | N-BK7 | 25 | 21.4 | 3.5 | 2 | 80.24 | 81.1 | 13 | G063026000 |
| ☒ | 100 | 22.4 | N-BK7 | 25 | 21.4 | 3.5 | 2.3 | 100.44 | 101.22 | 13 | G063027000 |
| ☒ | 150 | 22.4 | N-BK7 | 25 | 21.4 | 3 | 2.2 | 150.65 | 151.08 | 13 | G063028000 |
| ☒ | 200 | 22.4 | N-BK7 | 25 | 21.4 | 3 | 2.4 | 202.51 | 202.75 | 13 | G063029000 |

Ø* Eine Tabelle mit weiteren Spezifikationen finden Sie zu Beginn dieses Kapitels.
Please find more specifications in the table at the beginning of this chapter.