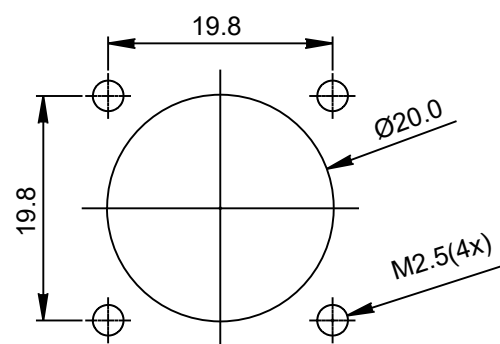
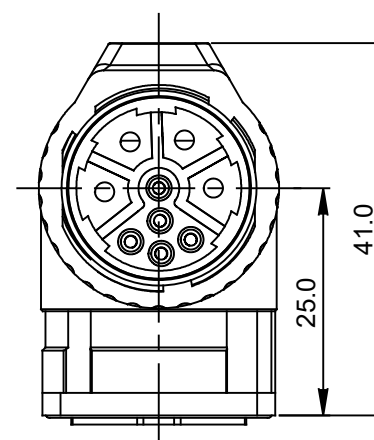
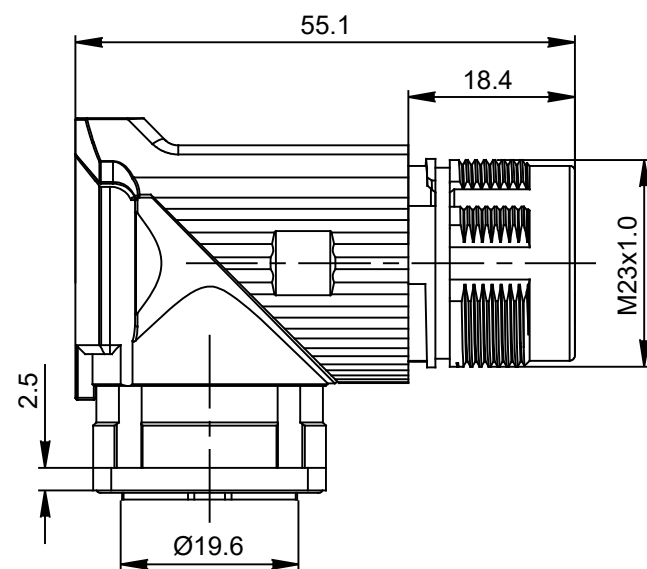
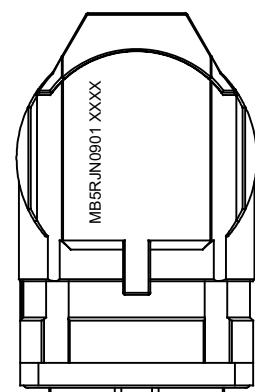
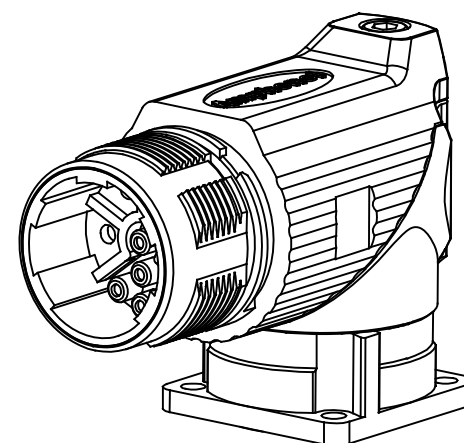
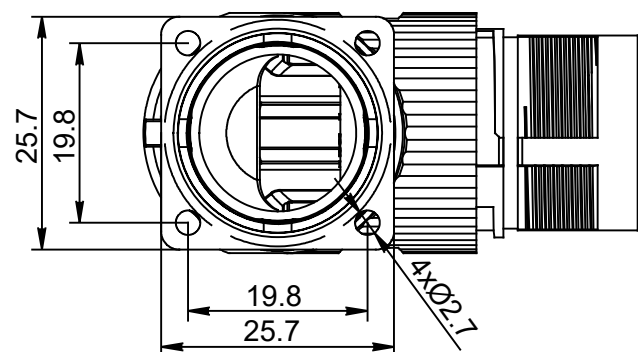


REVISIONS					
REV	ECO	DESCRIPTION	DATE	BY	APPR
A1	-	FIRST RELEASE	Jan.12.2018	White	Tommy
A2	-	ADDED ITEM 5 TO BDM.	12/14/2021	RO	RD



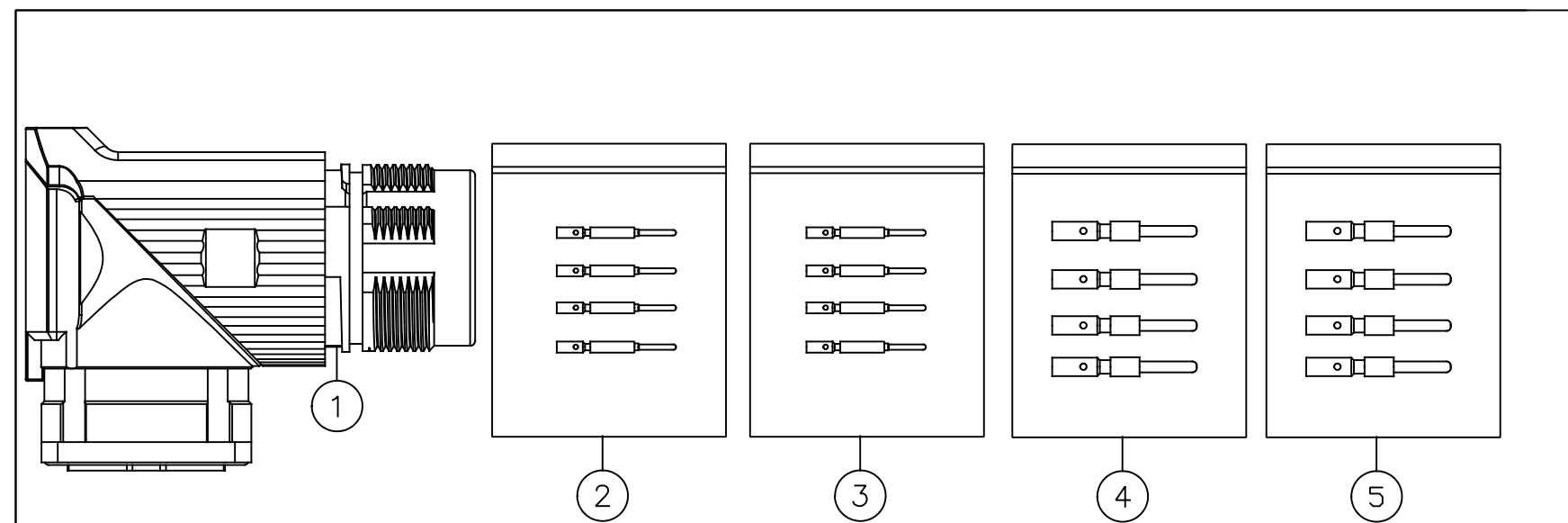
MOUNTING HOLE



NOTES: UNLESS OTHERWISE SPECIFIED

- MATERIAL:
 - INSULATION INSERT :PA66,UL94 V0
 - SEAL: VITON
 - HOUSING BODY: ZINC DIE CAST, NICKEL PLATED
 - CONTACT: COPPER ALLOY, GOLD PLATED
- SPECIFICATIONS:
 - 2.1 CURRENT RATING: SIGNAL: 10 AMPS
POWER: 30AMPS
 - 2.2 VOLTAGE RATING: SIGNAL: 250V AC/DC
POWER: 630V AC/DC
 - 2.3 OPERATING TEMPERATURE: -20°C TO +130°C
 - 2.4 DIELECTRIC WITHSTANDING VOLTAGE: LESS THAN 2 MILLIAMPS CURRENT LEAKAGE @ SIGNAL: 2500VOLTS AC.
POWER: 6000 VOLTS AC.
 - 2.5 DEGREE OF PROTECTION: IP67 (MATED CONDITION)
 - 2.6 DEGREE OF POLLUTION: 3 PER UL840
 - 2.7 OVERVOLTAGE CATEGORY: III PER UL840
 - 2.8 MATING CYCLE DURABILITY: >500 CYCLES
 - 2.9 RoHS COMPLIANT

3. ALL DIMENSIONS ARE FOR REFERENCE USE ONLY.



QUANTITY	PART NUMBER	DESCRIPTION	ITEM
4	SC000525	M23B ELITE SERIES,2.0MM PIN	5
4	SC000262	CONTACT, PIN, Ø2.0mm,CRIMP 14~18AWG	4
5	SC000386	CONTACT, PIN, Ø1.0mm,CRIMP 24~28AWG	3
5	SC000261	CONTACT, PIN, Ø1.0mm,CRIMP 18~22AWG	2
1	MB5RJN0901	CONNECTOR	1

CHART

QUANTITY	PART NUMBER	DESCRIPTION	ITEM
4	SC000525	M23B ELITE SERIES,2.0MM PIN	5
4	SC000262	CONTACT, PIN, Ø2.0mm,CRIMP 14~18AWG	4
5	SC000386	CONTACT, PIN, Ø1.0mm,CRIMP 24~28AWG	3
5	SC000261	CONTACT, PIN, Ø1.0mm,CRIMP 18~22AWG	2
1	MB5RJN0901	CONNECTOR	1

MATERIALS LIST

UNLESS OTHERWISE SPECIFIED		SIGNATURES	DATE
1) All dimensions are in metric(mm).		DRAWN: White	Jan.12.2018
2) Tolerances are as follows:		CHECKED: Tod	Jan.12.2018
1 PL DEC ±0.30		ENGINEER:	
2 PL DEC ±0.15		APPROVAL: Tommy	Jan.12.2018
3 PL DEC ±0.08		CUSTOMER:	
3) Note reference = Δ		THIS DRAWING IS SUPPLIED FOR INFORMATION ONLY. DESIGN FEATURES, SPECIFICATIONS AND PERFORMANCE DATA SHOWN HEREON ARE THE PROPERTY OF THE AMPHENOL CORPORATION. NO RIGHTS OF REPRODUCTION ARE IMPLIED. ALL DIMENSIONS ARE SUBJECT TO NORMAL MANUFACTURING VARIATIONS.	

Amphenol

Sine Systems - www.amphenol-sine.com
44724 Morley Drive
Clinton Township, MI 48036

KIT,M23B,REC.,RA,9POS(4+5),FLANGE MOUNT,CHECKMATE

SIZE	TYPE	DWG NO:	REVISION
B	C-	MB5RJN0901-KIT	A2

SCALE: NONE SHEET 1 OF 1

TITLE: KIT,M23B,REC.,RA,9POS(4+5),FLANGE MOUNT,CHECKMATE

DWG NO:

MB5RJN0901-KIT

REV: A2

SH: 1

OF: 1