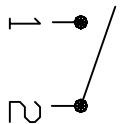
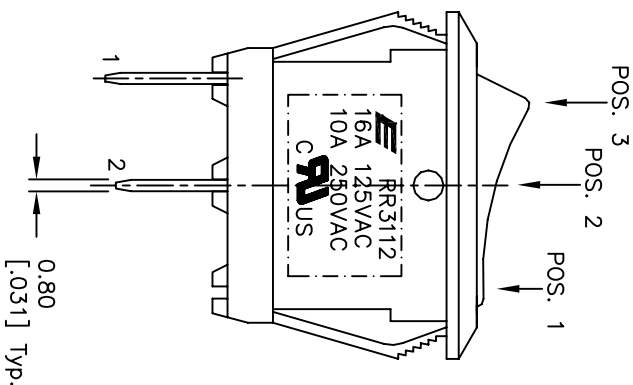
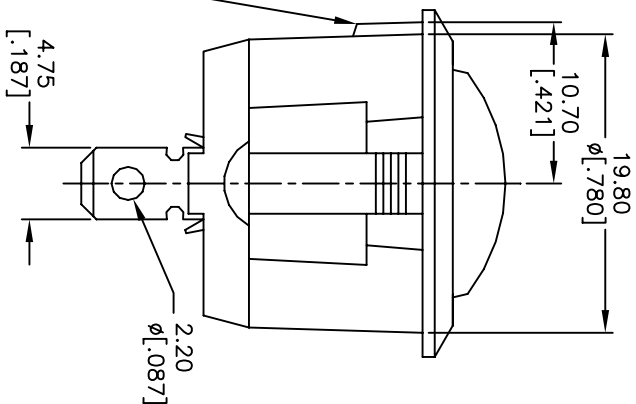
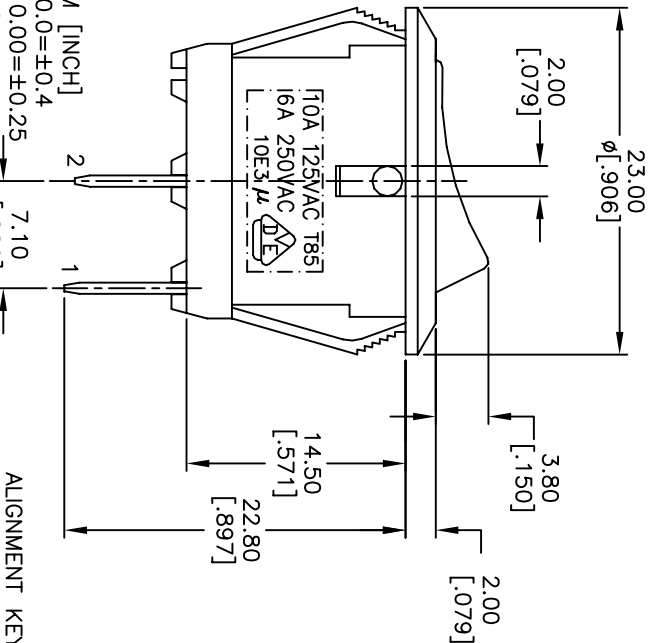
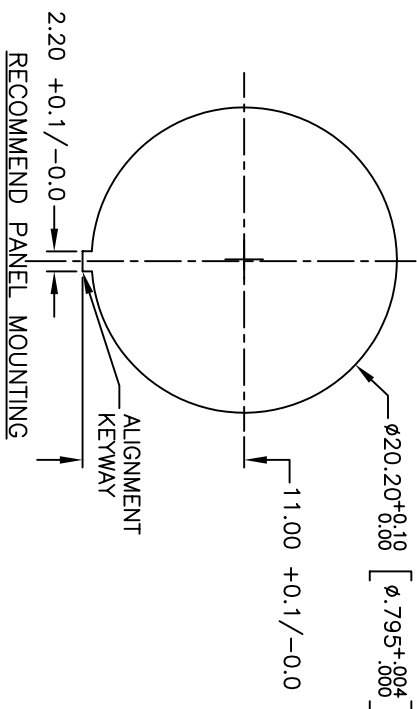


CIRCUIT: 2P, SPDI  
CONTACT CONFIGURATION  
ON-OFF



| SWITCH FUNCTION | POS. 1 | POS. 2 |
|-----------------|--------|--------|
| ON              | OFF    | OFF    |
| 1-2             | OPEN   | OPEN   |



- NOTES:
1. ALL DIMENSIONS IN MM [INCH]
  2. GENERAL TOLERANCE: 0.0±0.4
  3. TERM. NOS. FOR REF. ONLY
  4. RATING: 16A, 125VAC, 10A, 250VAC UL&CUL APPROVED  
10A 125VAC, 6A 250V AC VDE APPROVED
  5. CONTACT RESISTANCE: 50m ohm max.
  6. INSULATION RESISTANCE: DC 500V 100M ohm min.
  7. DIELECTRIC STRENGTHS: AC 1500V 1 minute
  8. OPERATING TEMP.: 0°C to 85°C
  9. ▲ DENOTES CRITICAL PARAMETER.
  10. 2002/95/EC (ROHS) COMPLIANT

| REV. | ECN No. | DESCRIPTION             | DATE    | CHKD |
|------|---------|-------------------------|---------|------|
| B    | 16970   | ADDED ROHS NOTE         | 2/6/07  | TN   |
| A    | 14002   | RELEASED FOR PRODUCTION | 5/13/04 | AR   |

| TITLE             |  | SCALE | DATE     | DR | DWG     | REV |
|-------------------|--|-------|----------|----|---------|-----|
| RR3112ABLKBLKNEFD |  | 2:1   | 2/6/2007 | TN | F130421 | B   |



THE INFORMATION CONTAINED IN THIS DOCUMENT IS PROPRIETARY TO E-SWITCH AND IS NOT TO BE COPIED OR TRANSMERED