

XS1M30MA250L1

Inductive proximity sensors XS, inductive sensor XS1 M30, L60mm, brass, Sn10mm, 24...240VAC/DC, cable 5 m



Main

| | |
|------------------------------------|--|
| Range of Product | Telemecanique Inductive proximity sensors XS |
| Series name | General purpose |
| Sensor Type | Inductive proximity sensor |
| Wiring configuration | 2-wire |
| Output circuit type | AC/DC |
| Protection type | Short-circuit protection multi voltage |
| Device Application | 2-wire DC short-circuit protection |
| Sensor name | XS1 |
| Sensor design | Cylindrical M30 |
| Size | 60 mm |
| Body type | Fixed |
| Detector flush mounting acceptance | Flush mountable |
| Material | Metal |
| Type of output signal | Discrete |
| Wiring Technique | 2-wire |
| [Sn] nominal sensing distance | 0.39 in (10 mm) |
| Discrete output function | 1 NO |
| Electrical connection | Cable |
| Cable length | 16.40 ft (5 m) |
| [Us] rated supply voltage | 24...210 V DC 24...240 V AC 50/60 Hz |
| Switching capacity in mA | 5...300 mA AC overload and short-circuit protection 5...200 mA DC overload and short-circuit protection |
| IP degree of protection | IP68 double insulation conforming to IEC 60529 |

Complementary

| | |
|--------------------------|--|
| Thread type | M30 x 1.5 |
| Detection face | Frontal |
| Front material | PPS |
| Enclosure Material | Nickel Plated Brass |
| Operating zone | 0.00...0.31 in (0...8 mm) |
| Differential travel | 1...15% of Sr |
| Cable composition | 2 x 0.34 mm ² |
| Wire insulation material | PvR |
| Status LED | Output state 1 LED yellow) Supply on 1 LED green) |
| Supply voltage limits | 20...264 V AC/DC |
| Maximum residual current | 1.5 mA open state |
| Switching frequency | <= 2000 Hz DC <= 25 Hz AC |
| Maximum voltage drop | <5.5 V closed state) |
| Maximum delay first up | 70 ms |
| Maximum delay response | 2 ms |
| Maximum delay recovery | 5 ms |
| Marking | CE |

| | |
|-----------------|--|
| Threaded length | 2.01 in (51 mm) |
| Length | 2.36 in (60 mm) |
| Net Weight | 0.72 Lb(US) (0.325 kg) 0.45 lb(US) (0.205 kg) |

Environment

| | |
|---------------------------------------|---|
| Product Certifications | CCC CSA UL |
| Ambient Air Temperature for Operation | -13...158 °F (-25...70 °C) |
| Ambient Air Temperature for Storage | -40...185 °F (-40...85 °C) |
| Vibration resistance | 25 gn +/- 2 mm 10...55 Hz)IEC 60068-2-6 |
| Shock resistance | 50 gn 11 ms IEC 60068-2-7 |

Ordering and shipping details

| | |
|-----------------------|--------------------------|
| Category | 22486-SENSORS, PROXIMITY |
| Discount Schedule | DS2 |
| GTIN | 3389110916065 |
| Nbr. of units in pkg. | 1 |
| Package weight(Lbs) | 9.10 oz (258.0 g) |
| Returnability | No |
| Country of origin | FR |

Packing Units

| | |
|------------------------------|------------------------|
| Unit Type of Package 1 | PCE |
| Package 1 Height | 2.64 in (6.7 cm) |
| Package 1 width | 3.74 in (9.5 cm) |
| Package 1 Length | 5.12 in (13 cm) |
| Unit Type of Package 2 | S02 |
| Number of Units in Package 2 | 14 |
| Package 2 Weight | 8.64 lb(US) (3.919 kg) |
| Package 2 Height | 5.91 in (15 cm) |
| Package 2 width | 11.81 in (30 cm) |
| Package 2 Length | 15.75 in (40 cm) |
| Package 3 Height | 5.91 in (15 cm) |

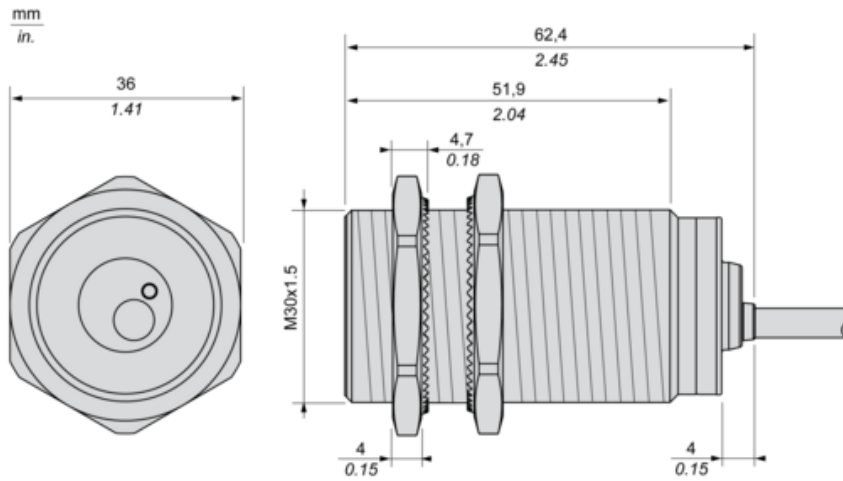
Offer Sustainability

| | |
|----------------------------|---|
| Sustainable offer status | Green Premium product |
| California proposition 65 | WARNING: This product can expose you to chemicals including: Diisononyl phthalate (DINP), which is known to the State of California to cause cancer, and Di-isodecyl phthalate (DIDP), which is known to the State of California to cause birth defects or other reproductive harm. For more information go to www.P65Warnings.ca.gov |
| REACH Regulation | REACH Declaration |
| EU RoHS Directive | Pro-active compliance (Product out of EU RoHS legal scope) EU RoHS Declaration |
| Mercury free | Yes |
| RoHS exemption information | Yes |
| Environmental Disclosure | Product Environmental Profile |
| Circularity Profile | End Of Life Information |

Contractual warranty

| | |
|----------|-----------|
| Warranty | 18 months |
|----------|-----------|

Dimensions



Minimum Mounting Distances

Side by side



$e (1) \geq 20 \text{ mm}/0.79 \text{ in}$

Face to face



$e (2) \geq 120 \text{ mm}/4.72 \text{ in}$

Facing a metal object

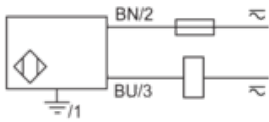


$e (3) \geq 30 \text{ mm}/1.18 \text{ in.}$

Wiring Schemes

2-Wire AC or DC

NO output

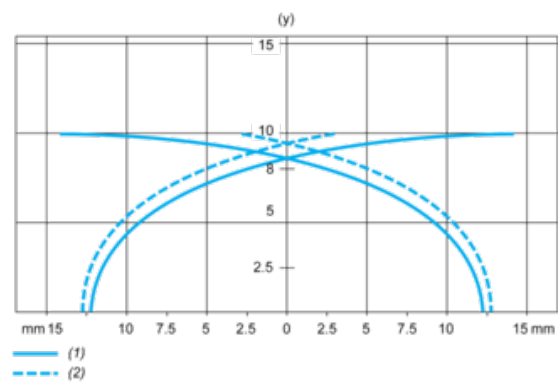


BU : Blue

BN : Brown

Performance Curves

Standard Steel Target : 30x30x1 mm



- (1) Pick-up points
- (2) Drop-out points (object approaching from the side)
- (y) Sensing distance in mm